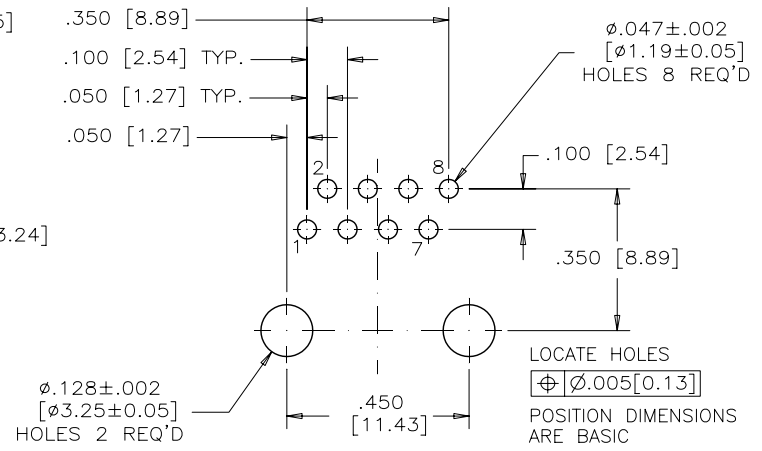
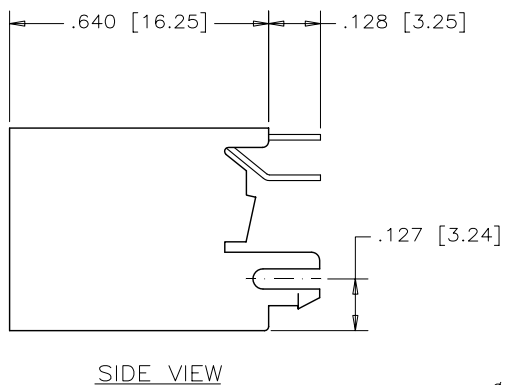
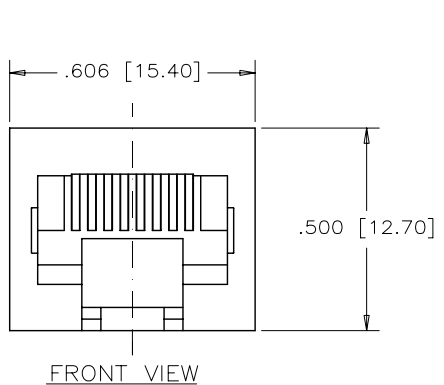
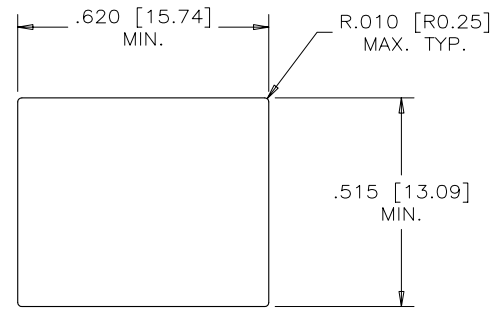


REVISIONS				
SYM	ZONE	ECN, ERN NO.	DATE	APPRD.
A		PROPOSAL	FEB 27,08	L.CHAN



MATERIALS:
 PLASTIC HOUSING: HIGH TEMPERATURE THERMOPLASTIC
 FLAMMABILITY RATING UL94V-0
 COLOR: BLACK

CONTACTS: PHOSPHOR BRONZE
 PLATING: GOLD PLATING REFER TO
 PART NUMBER ON MATING SURFACES.
 50 μ" [1.27 MICRONS]
 NICKEL UNDERPLATE.
 100 μ" [2.54 MICRONS]
 MATTE-TIN OR GOLD FLASH
 ON CONTACT TAILS.



PART NUMBER: RJE06-188-0X10H

GOLD PLATING:
 1 = 6 μ"
 2 = 15 μ"
 3 = 30 μ"
 4 = 50 μ"

THIS DOCUMENT CONTAINS PROPRIETARY INFORMATION AND SUCH INFORMATION MAY NOT BE DISCLOSED TO OTHERS FOR ANY PURPOSE OR USED FOR MANUFACTURING PURPOSES WITHOUT WRITTEN PERMISSION FROM AMPHENOL CANADA CORP.

DRAWN HUILAN WANG	DATE FEB 27,08	Amphenol Canada Corp.
DESIGNED MT.CHAN	DATE FEB 27,08	
CHECKED L.CHAN	DATE FEB 27,08	
I. E. APPRD.		
Q. A. APPRD.		
DWG. APPRD.		TITLE RJE06 SERIES, 8 POSITIONS, 8 CONTACTS, VERTICAL MOUNT, UNSHIELDED, WITHOUT FLANGE-ROHS COMPLIANT
ENG. REL. NO.		DWG DRAWING NO. P-RJE06-188-0X10H
REF.		REV. A
DIMENSIONS ARE IN INCHES [mm]	CODE ID. NO. 03554	SCALE
		WT. ----- SURF. ----- SHEET 1 OF 1