

MICRO SWITCH
 FREEPORT ILLINOIS U.S.A.
 A DIVISION OF HONEYWELL
 FED MFG CODE 81928

**SWITCH- TOGGLE
 FLUSH KEY**

CATALOG LISTING
2TP8 SERIES
CHART 1

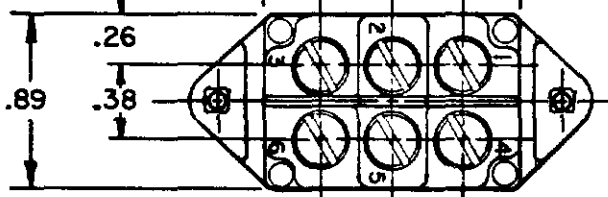
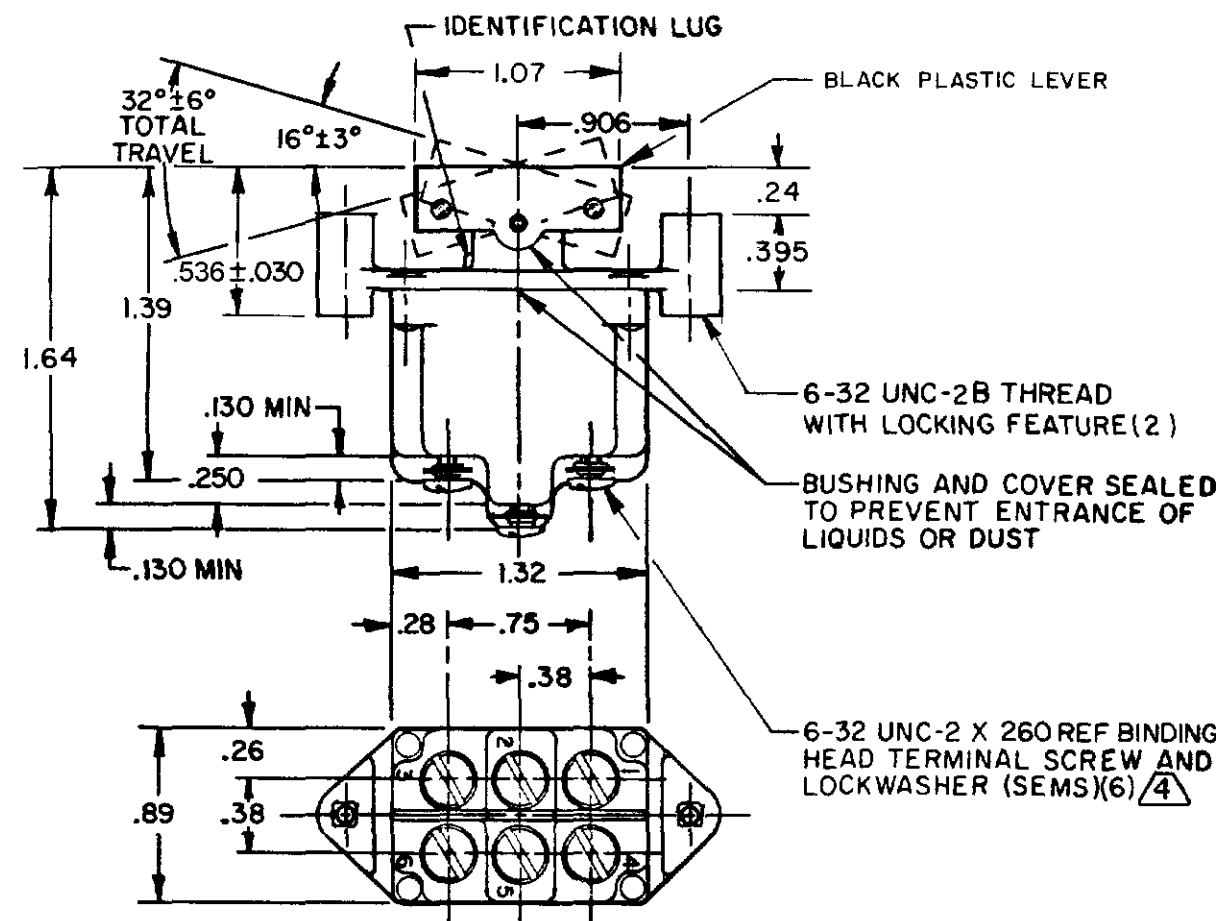
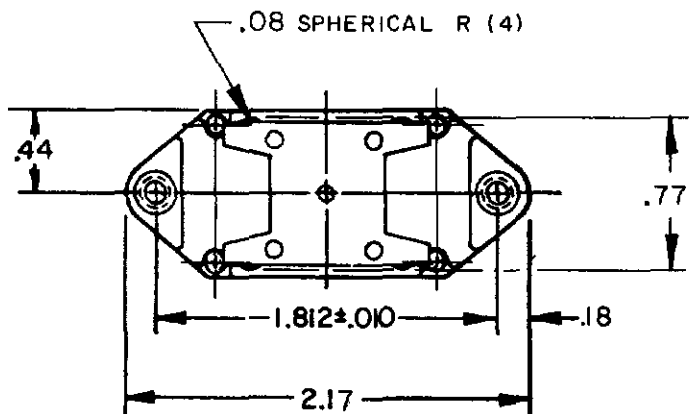
THIS DRAWING COVERS A PROPRIETARY ITEM AND IS THE PROPERTY OF MICRO SWITCH A DIVISION OF HONEYWELL THIS DRAWING IS NOT TO BE COPIED OR USED WITHOUT THE APPROVAL OF MICRO SWITCH.

CATALOG LISTING
2TP8 SERIES CHART 1
 PAGE 1 OF 1

ISSUE
M
 17

REVISIONS
 A C094415
 TSM
 24 NOV 99
 B 202714
 C SL
 3 APR 01

RASTER
 FO-32854-B
 DRAWN
 JM
 27 JAN 81
 CHECK
 GJH
 23 JAN 81
 CHECK
 KJC
 29 JAN 81
 CHECK
 KJC



CATALOG LISTING	3 CIRCUIT WITH BUTTON IN			ELECTRICAL DATA
	LUG SIDE (1-2, 4-5)	CENTER (1-2, 4-5)	OPPOSITE LUG (2-3, 5-6)	
2TP8-1	ON	OFF	ON	L 191 15A 125, 250, 277 VAC 1/2 HP 125 VAC, 1 HP 250, 277 VAC 5A 125 VAC "L" UL CS CE
2TP8-2	OFF	NONE	ON	
2TP8-3	ON	NONE	ON	
2TP8-21	NONE	OFF	ON	
①	NONE	ON	ON	
2TP8-4	MOM OFF	NONE	ON	L 192 10A 125, 250, 277 VAC 1/4 HP 125 VAC, 1/2 HP 250, 277 VAC 3A 125 VAC "L" UL CS CE
2TP8-5	MOM ON	OFF	ON	
2TP8-6	MOM ON	NONE	OFF	
2TP8-7	MOM ON	OFF	MOM ON	
2TP8-8	MOM ON	NONE	ON	
2TP8-51	NONE	ON	MOM ON	
2TP8-61	MOM ON	OFF	NONE	

- NOTES
 1 - THESE SWITCHES WILL WITHSTAND TEMPERATURE OF 160°F
 2 - MICRO SWITCH CATALOG LISTING MARKED ON SIDE OF SWITCH
 3 - APPLIES ONLY TO "ON" AND "MOMENTARY ON" POSITIONS
 4 - SCREWS FURNISHED UNASSEMBLED

THIRD ANGLE PROJECTION

SCALE FULL

DO NOT SCALE PRINT

TOLERANCES
 APPLY TO DESIGN UNITS. CONVERSIONS ARE ONLY FOR REFERENCE UNLESS NOTED TOLERANCES ARE 2

	DIM.	TOL.	DIM.	TOL.
	IN	MM/IN	IN	MM/IN
NO PLACES	X	1/64	X X	0.01/64
ONE PLACE	X,X	0.0010	X X X	0.0010/64
TWO PLACES	X,X,X	0.0008	X X X X	0.0008/64
THREE PLACES	X,X,X,X	0.0006	X X X X X	0.0006/64

DESIGN UNITS METRIC US CUSTOMARY

RAW MATERIAL—COMMERCIAL STANDARD
 MICRO SWITCH STANDARDS APPLY

DIMENSIONS ARE TO BE MET BEFORE
 PROTECTIVE COATINGS ARE APPLIED

WEIGHT 14 LB EST