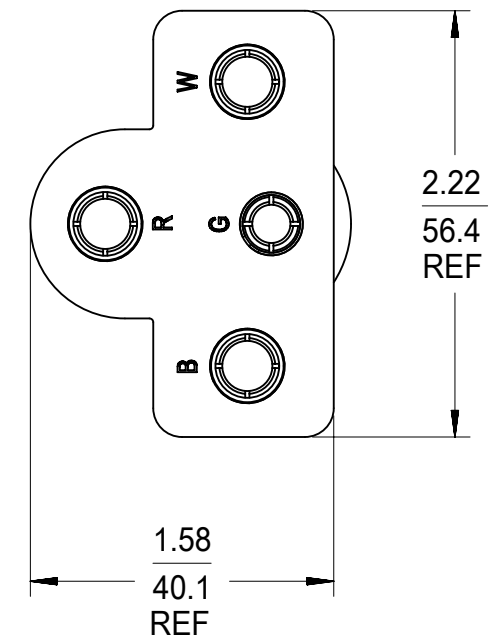
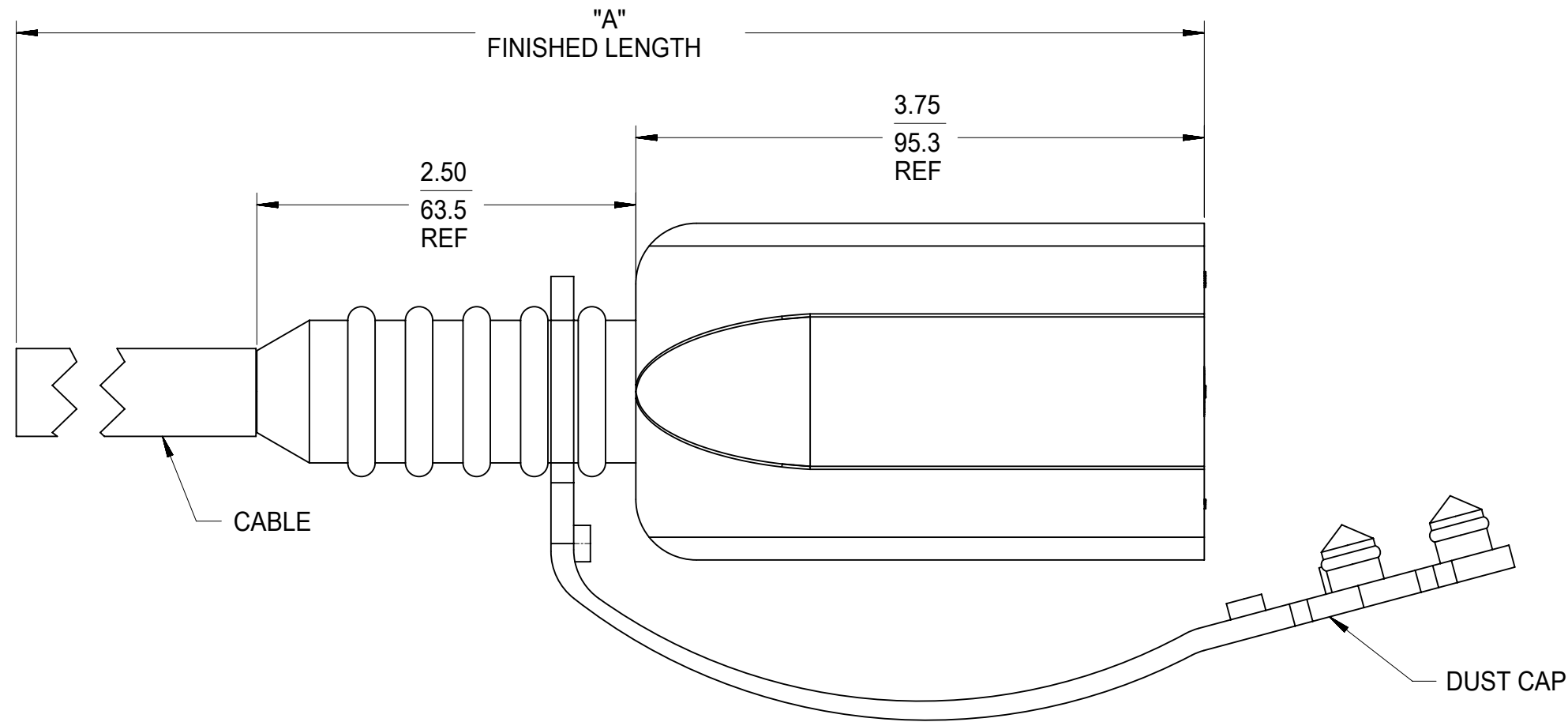
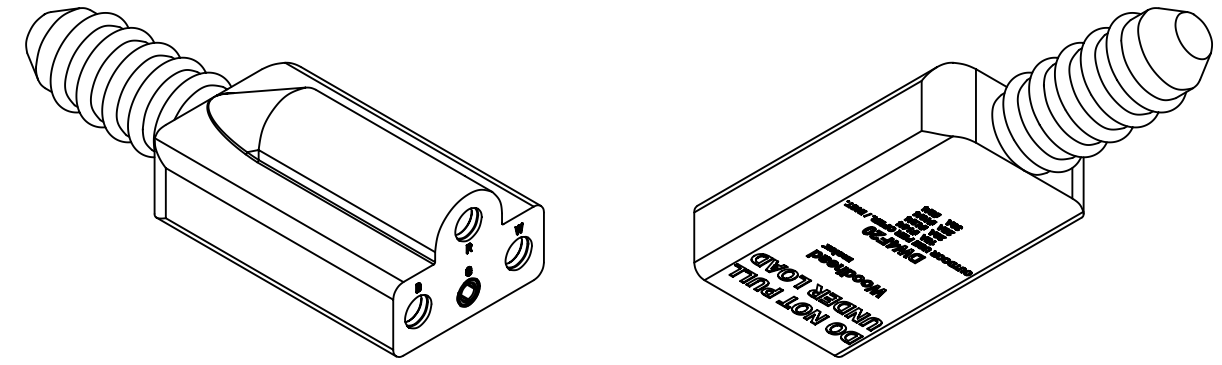


ASSEMBLY MATERIAL NUMBER	ENG. P/N	ASSEMBLY DESCRIPTION	"A" FINISHED LENGTH
1301500325	DW4F20	FEMALE OVERMOLD CABLE ASSEMBLY, #8/4	6 FT



- NOTES:
- 1) OVERMOLD MATERIAL: RUBBER (NEOPRENE OR CPE)
  - 2) TERMINALS: COPPER ALLOY
  - 3) CABLE JACKET MATERIAL: RUBBER (NEOPRENE OR CPE)
  - 4) CABLE IS MSHA LISTED.
  - 5) WARNING: DO NOT PULL UNDER LOAD.
  - 6) VOLTAGE RATING: 600 V MAX.
  - 7) CURRENT RATING:
    - 8AWG/4 CONDUCTOR - 30 AMPS
    - 10AWG/4 CONDUCTOR - 25 AMPS
    - 12AWG/4 CONDUCTOR - 20 AMPS
    - 14AWG/4 CONDUCTOR - 15 AMPS

THIS DRAWING CONTAINS INFORMATION THAT IS PROPRIETARY TO MOLEX ELECTRONIC TECHNOLOGIES, LLC AND SHOULD NOT BE USED WITHOUT WRITTEN PERMISSION									
DIMENSION UNITS	SCALE	CURRENT REV DESC: MIGRATE TO NX. UPDATE NOTE 1 AND 3							
INCH	NTS	<b>molex</b> FEMALE RECEPTACLE CABLE ASSEMBLY 15-30AMPS, #8 - #14AWG							
GENERAL TOLERANCES (UNLESS SPECIFIED)									
ANGULAR TOL	± 2.0°	EC NO: 615559 DRWN: WLEUNG 2019/04/12 CHK'D: DNGUYEN62 2019/04/22 APPR: HKNEELAND 2019/04/23							
4 PLACES	±	INITIAL REVISION: DRWN: WLEUNG 2013/11/07 APPR: BWOODMAN 2013/12/27							
3 PLACES	±								
2 PLACES	±	PRODUCT CUSTOMER DRAWING DOCUMENT NUMBER: SD-130150-002    DOC TYPE: PSD    DOC PART: 001    REVISION: B1							
1 PLACE	± 0.03	MATERIAL NUMBER: SEE CHART    CUSTOMER: GENERAL MARKET    SHEET NUMBER: 1 OF 1							
0 PLACES	±	DRAFT WHERE APPLICABLE MUST REMAIN WITHIN DIMENSIONS    THIRD ANGLE PROJECTION    DRAWING: B-SIZE    SERIES: 130150							