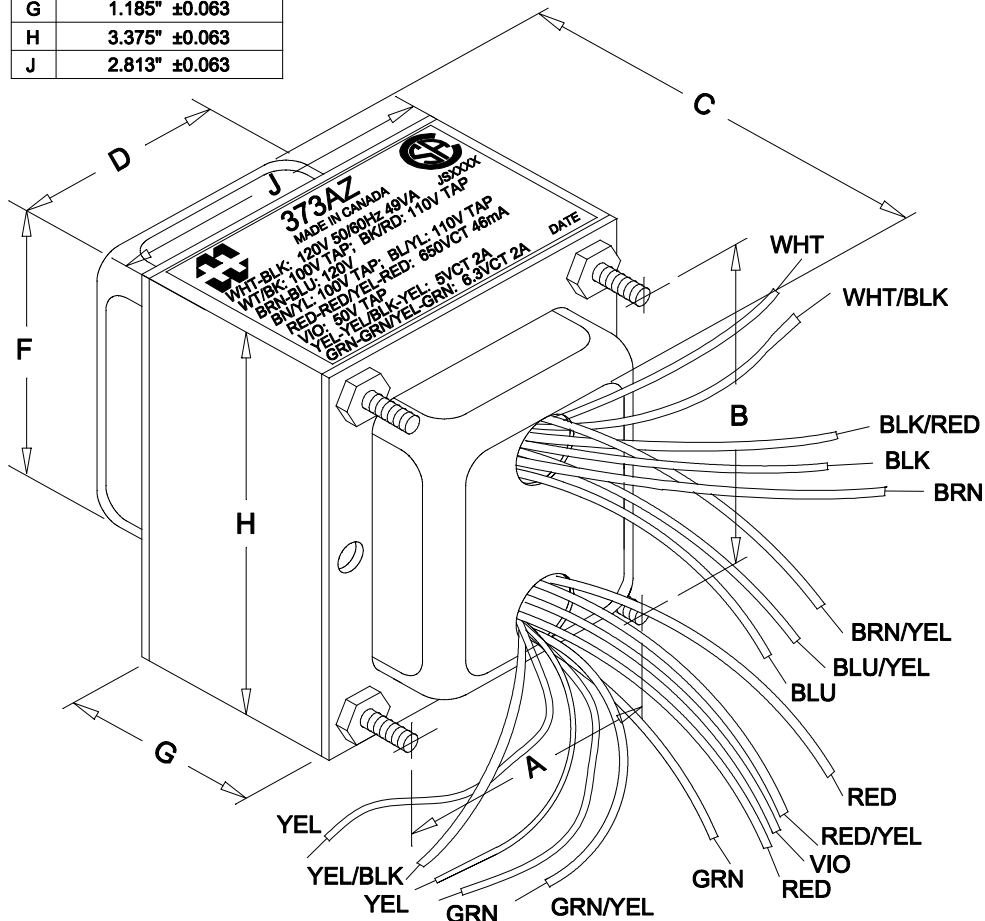
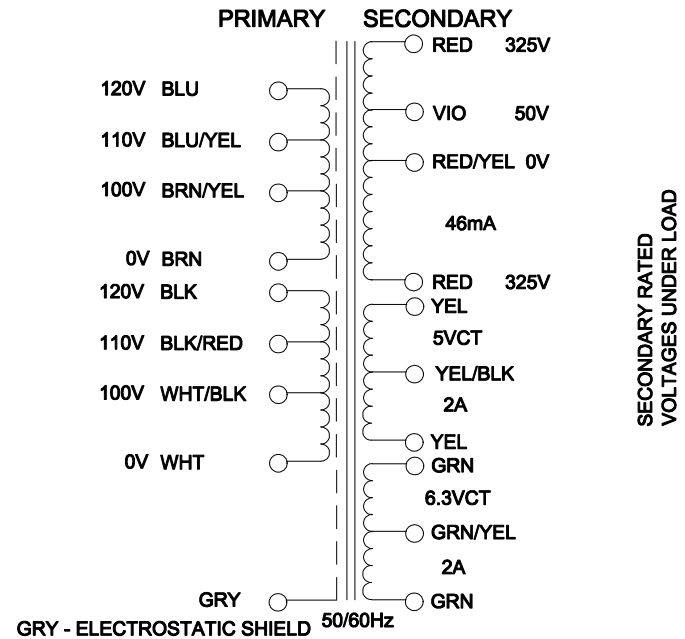


DIMENSIONS:	
A	2.250" ±0.063
B	2.813" ±0.063
C	3.373" ±0.125
D	1.873" ±0.063
F	2.435" ±0.063
G	1.185" ±0.063
H	3.375" ±0.063
J	2.813" ±0.063



NOTE: ALL LEADS 8" OUT MIN. STRIPPED 0.5"



ELECTRICAL DATA:		
TESTS	CONDITIONS	ACCEPTANCE CRITERIA
I _{ex}	@ 120V, 60Hz, WHT - BLK	48mA Max.
Sec. N.L.V	@ 120V, 60Hz, WHT - BLK	
	RED - RED =	717.6V ±2%
	RED - RED/YEL = RED/YEL - RED =	358.8V ±2%
	RED/YEL - VIO =	50.07V ±2%
	YEL - YEL =	5.563V ±2%
	YEL - YEL/BLK = YEL/BLK - YEL =	2.781V ±2%
	GRN - GRN =	7.152V ±2%
	GRN - GRN/YEL = GRN/YEL - GRN =	3.576V ±2%
DCR	@ 20°C, WHT - BLK =	16.84 Ω ±20%
	@ 20°C, BRN - BLU =	18.51 Ω ±20%
	@ 20°C, RED - RED =	627.4 Ω ±20%
	@ 20°C, YEL - YEL =	0.128 Ω ±20%
	@ 20°C, GRN - GRN =	0.216 Ω ±20%
HIPOT	PRIMARY - SECONDARY	2500V, 60Hz, 1 SEC

REV.#	REVISION	DATE
0	RELEASED. C.I.	09/17/12

HAMMOND MANUFACTURING™ ELECTRONIC DIVISION
 52 RANKIN PLACE, WATERLOO, ONTARIO, N2J 3Z5
 PH # (519) 886-6181 FAX # (519) 886-9540

DWG. BY: C. ILIE	CHK'D BY:	TITLE: POWER TRANSFORMER	DWG. NO. 373AZ
DATE: 09/17/12	APP'D. BY:		
	DIMENSIONS: IN(X) MM()		