

WIRING DIAGRAM : 3 CORE CABLE

▽2	▽3	▽4	
MOLEX I/O CONNECTOR	2 CORE CABLE	MOLEX I/O CONNECTOR	
CIRCUIT No.	CONDUCTOR No.	CIRCUIT No.	CONDUCTOR COLOUR REF
1 →	1 →	→ 2	RED
2 →	BRAID	→ 3	
3 →	2 →	→ 4	YELLOW

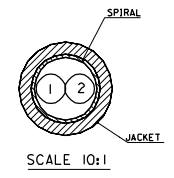
▽3 CABLE SPECIFICATION : 2 CORE CABLE

1. CABLE TYPE: FLAT RIBBON ROUND OTHER
 SPIRAL CABLE YES NO
 NO. OF CONDUCTORS 2

2. CABLE REQUIREMENTS : N/A

3. CONDUCTOR SPECIFICATIONS :

	CONDUCTOR NO.	
CONDUCTOR :	1, 2	
- MATERIAL	TINNED CU	COLOURS:
- A.W.G.	28	1. RED
- STRANDING QTY/GUAGE	7/36	2. YELLOW
- TENSILE STRENGTH	N/A	
INSULATION :		
- MATERIAL	SEMI RIGID PVC	
- MIN. WALL THICKNESS	0.20	
- COLOUR	SEE CABLE DIAGRAM	
- OUTSIDE DIAMETER	0.90 ± 0.05	
DIRECTION OF LAY	LEFT HAND	
LENGTH OF LAY	30 ± 5.0	
U.L. RATING	UL - 1692	



4. FILLER : N/A

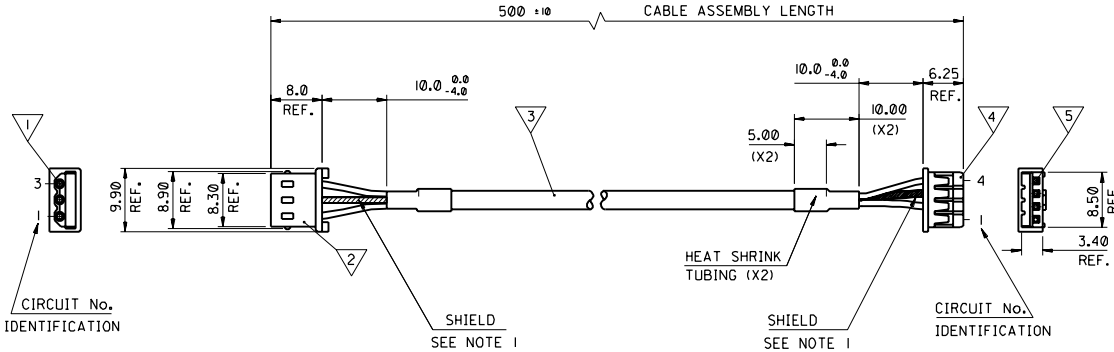
5. SEPARATOR : N/A

6. SHIELD : FOIL TYPE N/A, FOIL FACING N/A

7. DRAIN WIRE : GAUGE N/A, STRANDING N/A, REQUIREMENT N/A

8. SPIRAL/BRAID : GAUGE 38, COPPER TYPE TINNED, COVERAGE 90% MINIMUM

9. CABLE JACKET : TYPE PVC, FINAL DIAMETER 2.7 ± 0.15, MIN. THICKNESS 0.30, COLOUR GREY, FINISH GLOSS, U.L. RATING UL 20276, HARDNESS 61 ± 3 SHORE A, STRIPABILITY GOOD, MARKINGS E41663-1 RU ANM STYLE 2590 28 AWG 80°C VW-1 SC



BILL OF MATERIALS

NO.	QTY	SUPPLIER	DESCRIPTION	PART No.	SEE NOTE
▽1	3	MOLEX	SPRING-BOX CRIMP TERMINAL	5263PBT	
▽2	1	MOLEX	3 CCT SHROUDED CRIMP TERMINAL HOUSING	5264-03	
▽3	1	MOLEX	2 CORE CABLE SEE CABLE SPECIFICATION	99036-0095	1, 3
▽4	1	MOLEX	4 CIRCUIT CONNECTOR	87369-0400	
▽5	3	MOLEX	CRIMP TERMINAL	50212-8000	

- NOTES:
1. BRAIDED SHIELD TO BE TWISTED AND COVERED WITH HEAT SHRINK INSULATION TUBING BEFORE CRIMPING.
 2. PARTS TO BE CHECKED FOR SHORTS AND CONTINUITIES.
 3. ONLY AVAILABLE FROM MOLEX AS PART OF A CABLE ASSEMBLY.
 4. SUPPLIER OR CUSTOMER APPROVED EQUIVALENT.
 5. PARTS PACKED LOOSELY IN BAGS.

FOR PREVIOUS DRAWING ISSUES SEE MRI.

CHANGE CONNECTOR No. 5
ECN E81024
97-08-95 DR

REVISIONS

PL	DATE	BY	REVISION
3			PLACE # ±
2			PLACE # ±
1			PLACE # ± 2.0

DESIGN DIMENSION (PRIMARY) IN. (MM)
 EQUIVALENT DIMENSION (SECONDARY) DIM. (MM) IN.

SCALE: 2:1

DRWG BY: DR
 CHWD BY:
 APPD BY:

REVISIONS ONLY ON CAD SYSTEM

CAD/CAM FILENAME: 92609.DGN
 THIS DRAWING CONTAINS INFORMATION THAT IS PROPRIETARY TO MOLEX INC. & SHOULD NOT BE USED WITHOUT WRITTEN PERMISSION.

TITLE: AUDIO CABLE ASSEMBLY

MOLEX EUROPE

PART NO. 92609-0002 DWG NO. SDA-92609-0002

SHEET NO. 1 OF 1 DATE 96/04/11

SIZE: C

PART NO. 92609-0002
 DWG NO. SDA-92609-0002