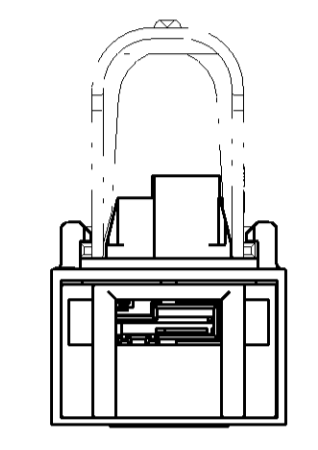
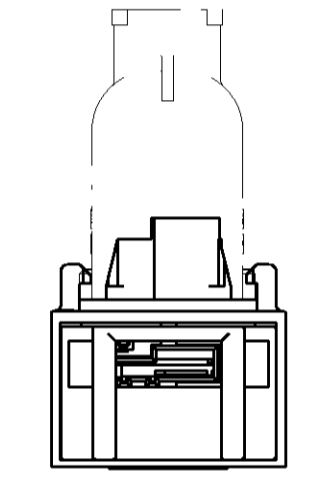


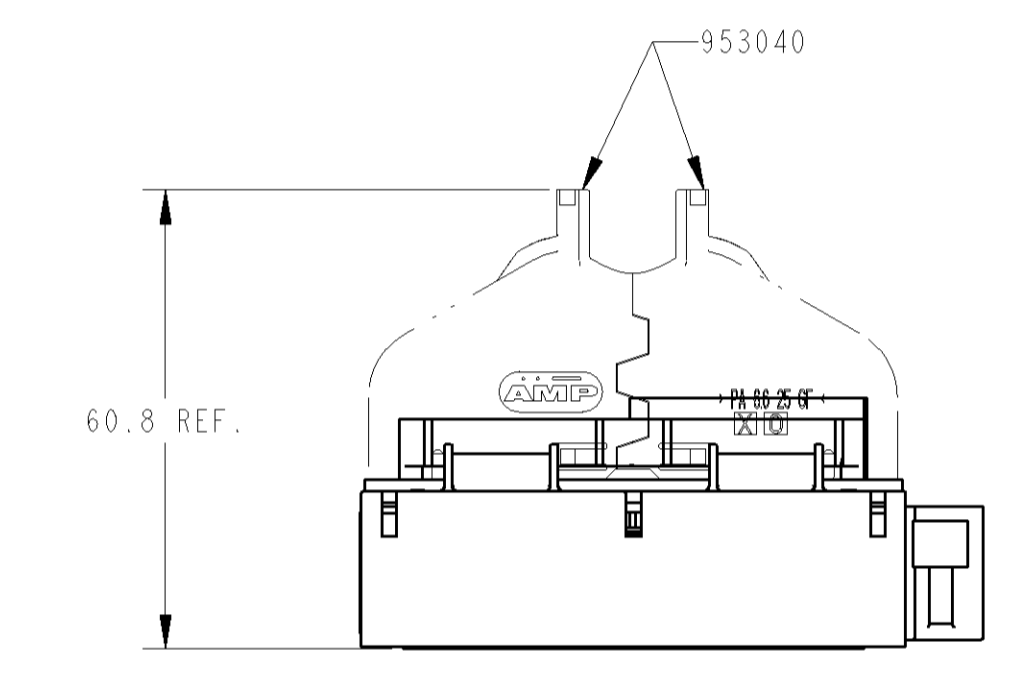
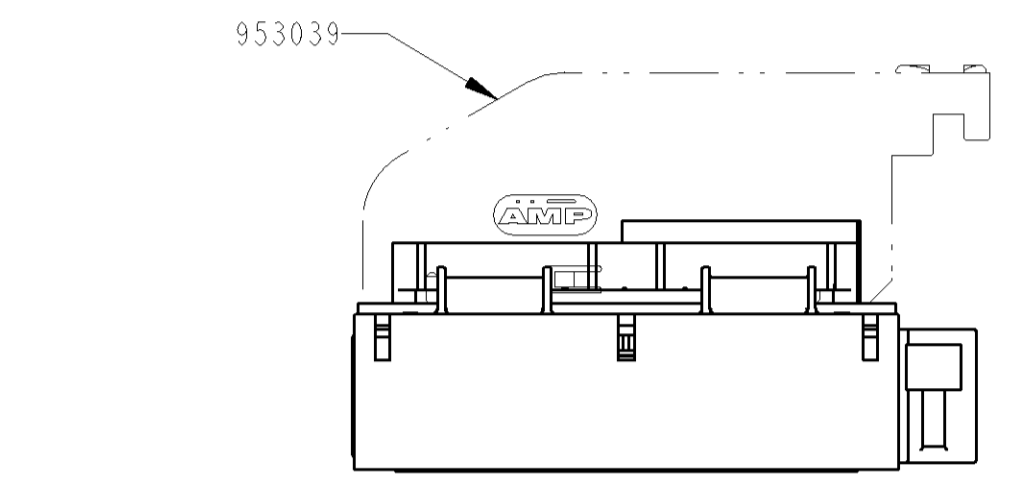
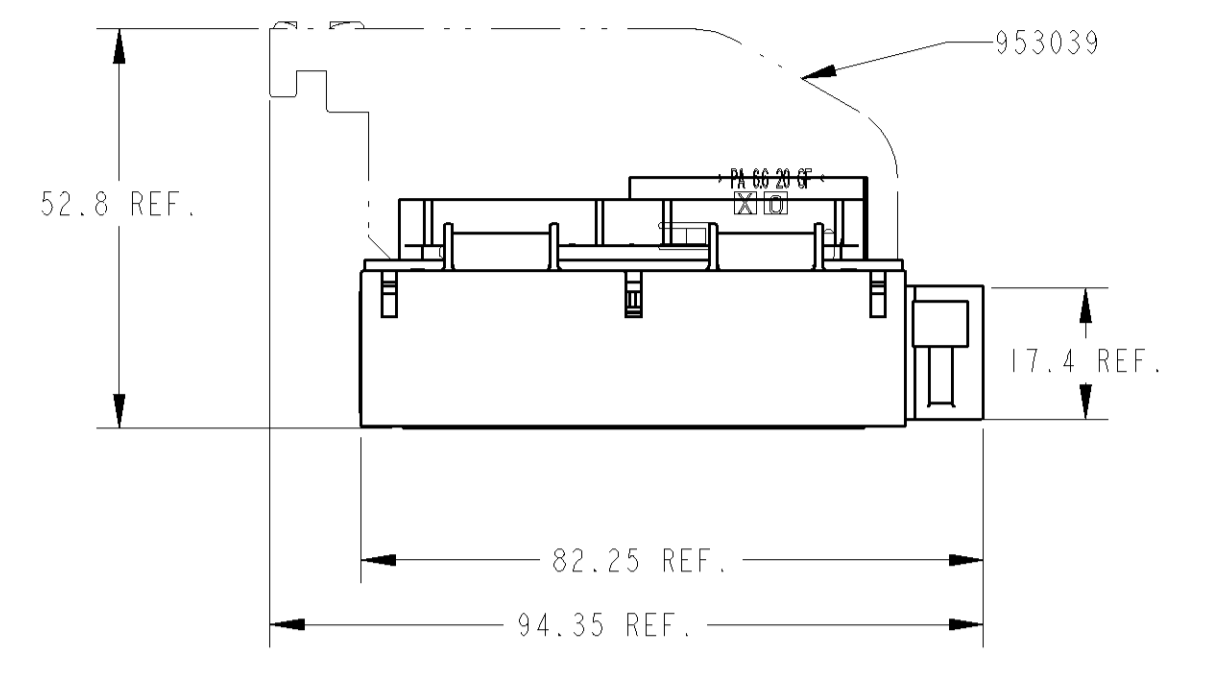
COVER LEFT EXIT
(CAPOT SORTIE GAUCHE)



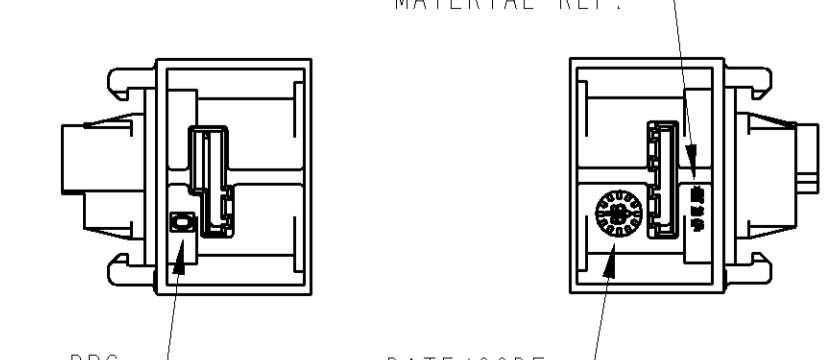
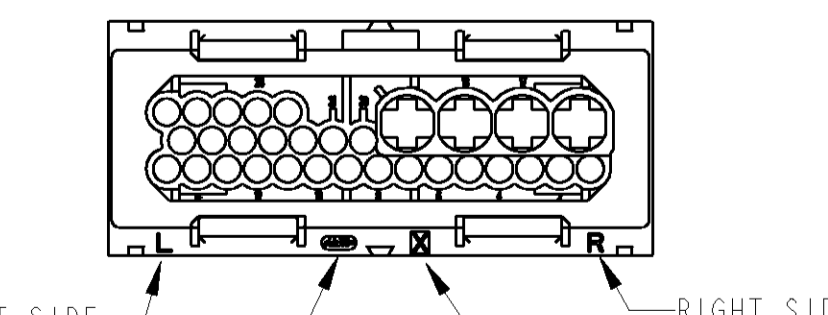
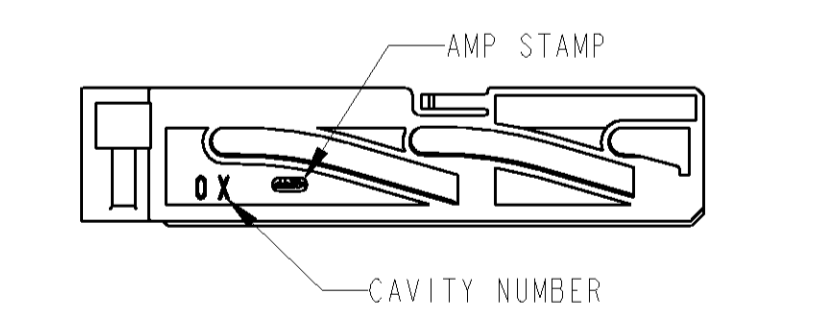
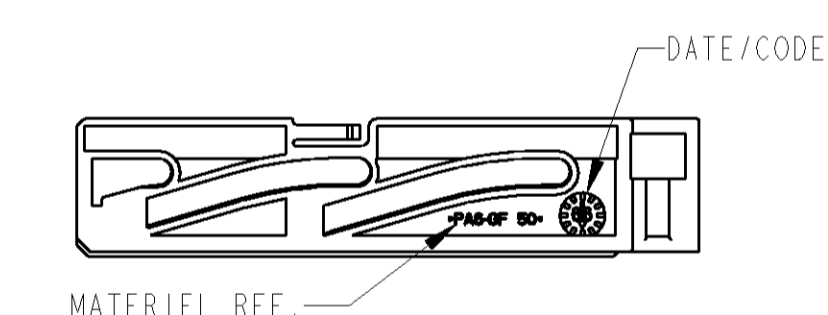
COVER RIGHT EXIT
(CAPOT SORTIE DROITE)



COVER VERTICAL EXIT
(CAPOT SORTIE VERTICALE)



Part No.	AMP Ref.	Blocked Up Cavities	Material	Color	Short Circuit	Coding	Front View
1-953041-4		NONE AUCUNE	PBT 20% GF PBT 20% FV	BLACK NOIR	YES OUI	CODING 1 CODAGE 1	
1-953041-2		4 - 10 - 12 - 13 22 - 23 - 24 - 25 26 - 27 - 28 - 29 30 - 31	PBT 20% GF PBT 20% FV	BLACK NOIR	NO NON	CODING 2 CODAGE 2	
1-953041-1		4 - 10 - 12 - 13 22 - 23 - 24 - 25 26 - 27 - 28 - 29 30 - 31	PBT 20% GF PBT 20% FV	BLACK NOIR	YES OUI	CODING 1 CODAGE 1	
953041-8		3 - 10 - 22 - 23 24 - 25 - 26 - 29	PBT 20% GF PBT 20% FV	BLACK NOIR	YES OUI	CODING 1 CODAGE 1	
953041-7		3 - 10 - 22 - 23 24 - 25 - 26 - 29	PBT 20% GF PBT 20% FV	BLACK NOIR	YES OUI	CODING 1 CODAGE 1	
953041-6		27 - 28 - 29 30 - 31	PBT 20% GF PBT 20% FV	BLACK NOIR	NO NON	CODING 2 CODAGE 2	
953041-5		10 - 12 - 13 - 23 24 - 25 - 26 - 27 28 - 29 - 30 - 31	PBT 20% GF PBT 20% FV	BLACK NOIR	NO NON	CODING 2 CODAGE 2	
953041-4		12 - 28 - 29 - 27 28 - 29 - 30 - 31	PBT 20% GF PBT 20% FV	BLACK NOIR	NO NON	CODING 2 CODAGE 2	
953041-3		10 - 12 - 13 - 23 24 - 25 - 26 - 27 28 - 29 - 30 - 31	PBT 20% GF PBT 20% FV	BLACK NOIR	YES OUI	CODING 1 CODAGE 1	
953041-2		27 - 28 - 29 30 - 31	PBT 20% GF PBT 20% FV	BLACK NOIR	YES OUI	NEUTRAL NEUTRE	
953041-1		NONE AUCUNE	PBT 20% GF PBT 20% FV	BLACK NOIR	YES OUI	NEUTRAL NEUTRE	
REAR VIEW (VUE ARRIERE)	AMP REF (REF AMP)	BLOCKED UP CAVITIES (ALVEOLES BOUCHEES)	MATERIAL (MATIERE)	COLOR (COULEUR)	SHORT CIRCUIT (SHUNT)	CODING (CODAGE)	FRONT VIEW (VUE AVANT)



Color	Material	Designation	P/N	Rep
NATUREL	INOX DORE	SHUNT	953165-1	5
ROUGE	SILICONE	JOINT	953066-2	4
ROUGE	PA6 50% FV	ETRIER	953046-2	3
NOIR	PBT 20% FV	BOITIER	953045-9	2
NOIR	PBT 20% FV	BOITIER	953045-6	2
NOIR	PBT 20% FV	BOITIER	953045-4	2
NOIR	PBT 20% FV	BOITIER	953045-3	2
NOIR	PBT 20% FV	BOITIER	953045-2	2
NOIR	PBT 20% FV	BOITIER	953045-1	2
NOIR	PBT 20% FV	PORTE CLIPS	953034-3	1
NOIR	PBT 20% FV	PORTE CLIPS	953034-2	1
NOIR	PBT 20% FV	PORTE CLIPS	953034-1	1

QTE COMPOSANT

953041-X

1-7-4|1-7-2|1-7-1|8-7-6-5-4-3-2-1

TORON MAXI ADMISSIBLE
Ø 16 mm

Color	Material	Designation	P/N	DTM
NATURAL	STAINLESS	SHUNT	953165-1	5
RED	SILICONE	SEAL	953066-2	4
RED	PA6 50% GF	SLIDE	953046-2	3
BLACK	PBT 20% GF	HOUSING	953045-9	2
BLACK	PBT 20% GF	HOUSING	953045-6	2
BLACK	PBT 20% GF	HOUSING	953045-4	2
BLACK	PBT 20% GF	HOUSING	953045-3	2
BLACK	PBT 20% GF	HOUSING	953045-2	2
BLACK	PBT 20% GF	HOUSING	953045-1	2
BLACK	PBT 20% GF	REC. HSG	953034-3	1
BLACK	PBT 20% GF	REC. HSG	953034-2	1
BLACK	PBT 20% GF	REC. HSG	953034-1	1

COMPONENT QTY

953041-X

1-7-4|1-7-2|1-7-1|8-7-6-5-4-3-2-1

MAX ADMISSIBLE STRAND
Ø 16 mm

THIS DRAWING IS UNPUBLISHED. RELEASED FOR PUBLICATION BY AMP INCORPORATED. ALL RIGHTS RESERVED. TOOLS, SPECS, RESERVEES.

DATE/REV: 28-APR-97

APPD APPROVE: 24MAY2000

CHK / VERIFIE: 24MAY2000

DRW / DESSINE: 28-APR-97

DESIGN: 24MAY2000

PRODUCT SPEC: 411-15172

APPLIC. SPEC: 411-15399

WEIGHT: APPROX. 41.3 g

CUSTOMER DRAWING / PLAN CLIENT

AMP DE FRANCE 95301 PONTAISE

ASSY 31W CONNECTOR RIGHT SLIDE

ASSEMBLAGE CONNECTEUR 31 VOIES TIMER HYBRIDE - ETRIER DROIT

SIZE: 411-15399

SCALE: 1:1

SHEET: 1 OF 1

REV: S