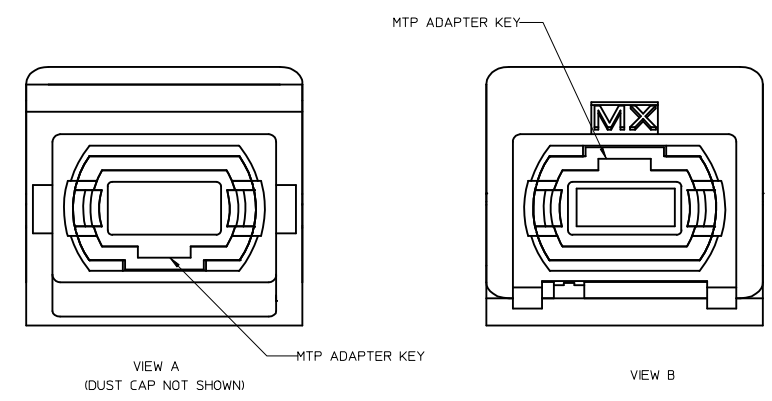
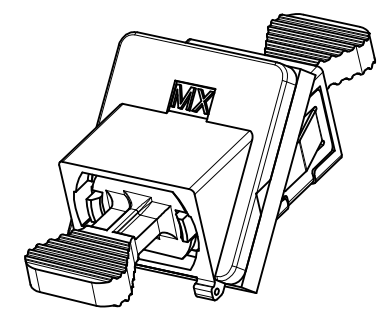


RECOMMENDED MOUNTING PATTERN
SCALE 2.5:1
FOR .063 THICK PANEL
1.6



- NOTES:
1. DIMENSIONS SHOWN ARE FOR REFERENCE ONLY.
 2. CONDUCTIVE FABRIC OVER FOAM GASKET (SHOWN COMPRESSED) IS SUPPLIED WITH THE PART.
 3. OUTER PARTS ARE DIECAST.
 4. DUST CAP SHOWN IN ISOMETRIC VIEW ONLY.
 5. ADAPTERS TO BE PACKAGED IN TRAY.

ENTER DESCRIPTION EC NO: MF2015-0318 DRWN: GUMIN 2014/12/03 CHKD: GUMIN APPR: GUMIN 2014/12/05	QUALITY SYMBOLS ▽=0 ▽=0	GENERAL TOLERANCES (UNLESS SPECIFIED)		DIMENSION STYLE IN/MM		SCALE 4:1	DESIGN UNITS METRIC	THIRD ANGLE PROJECTION		
		4 PLACES ± --- ± ---	3 PLACES ± --- ± ---	2 PLACES ± --- ± ---	1 PLACE ± --- ± ---	DRAWN BY MAGHAYERE	DATE 2014/01/29	TITLE MPO EMI ADAPTER 45 DEGRE NO SHUTTER, SNAP MNT		
		ANGULAR ±1/2°				CHECKED BY	DATE			
		DRAFT WHERE APPLICABLE MUST REMAIN WITHIN DIMENSIONS				APPROVED BY GUMIN	DATE 2014/02/05	MOLEX INCORPORATED		SHEET NO. 1 OF 1
				MATERIAL NO. 1061144003	DOCUMENT NO. SD-106114-4003					
				SIZE C	THIS DRAWING CONTAINS INFORMATION THAT IS PROPRIETARY TO MOLEX INCORPORATED AND SHOULD NOT BE USED WITHOUT WRITTEN PERMISSION					