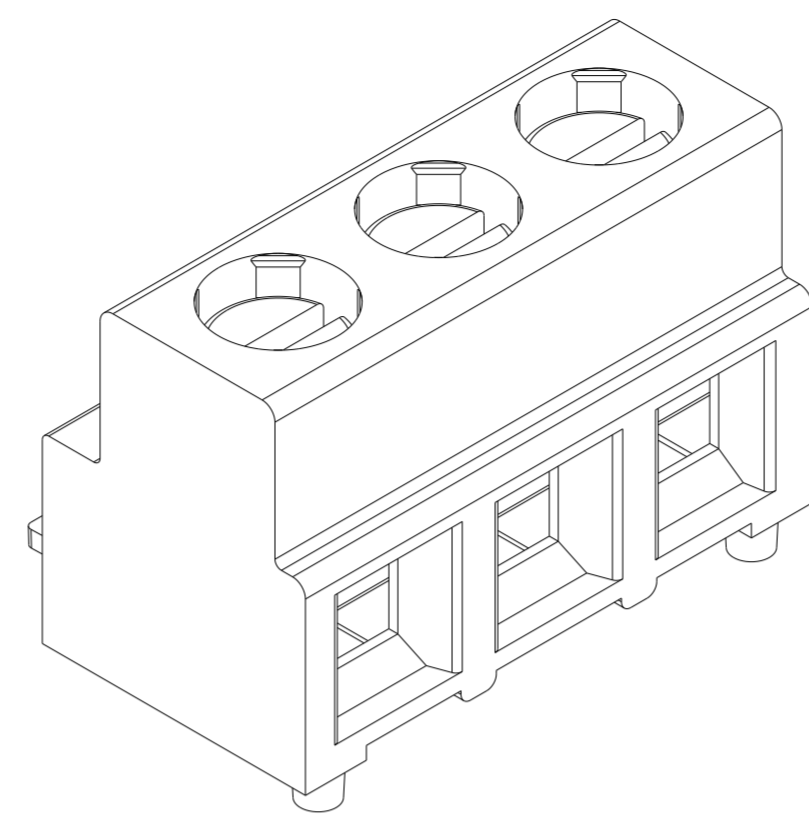
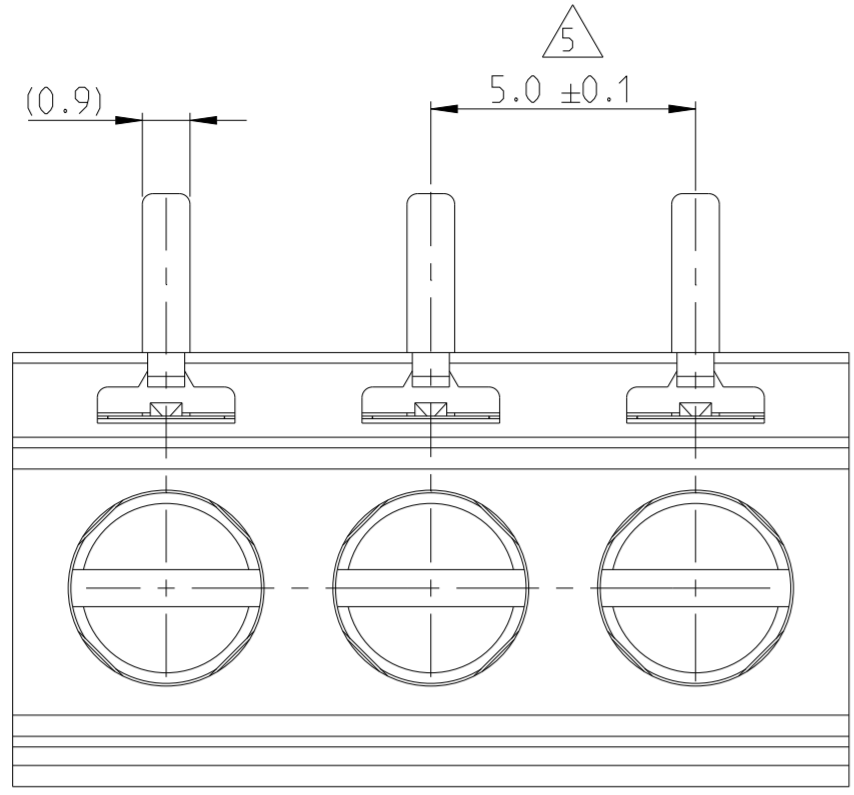


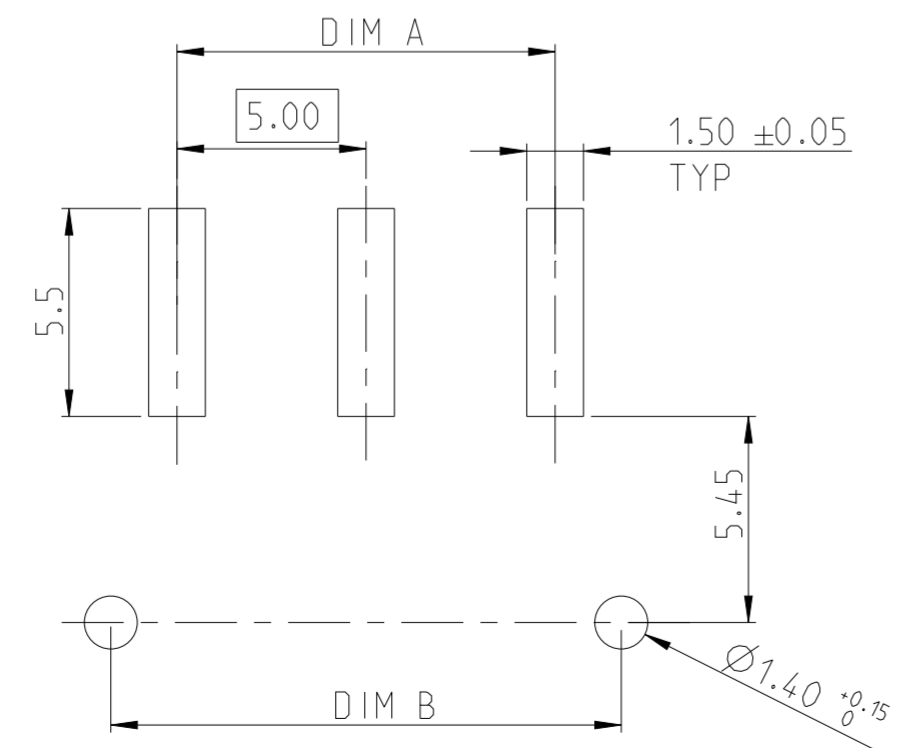
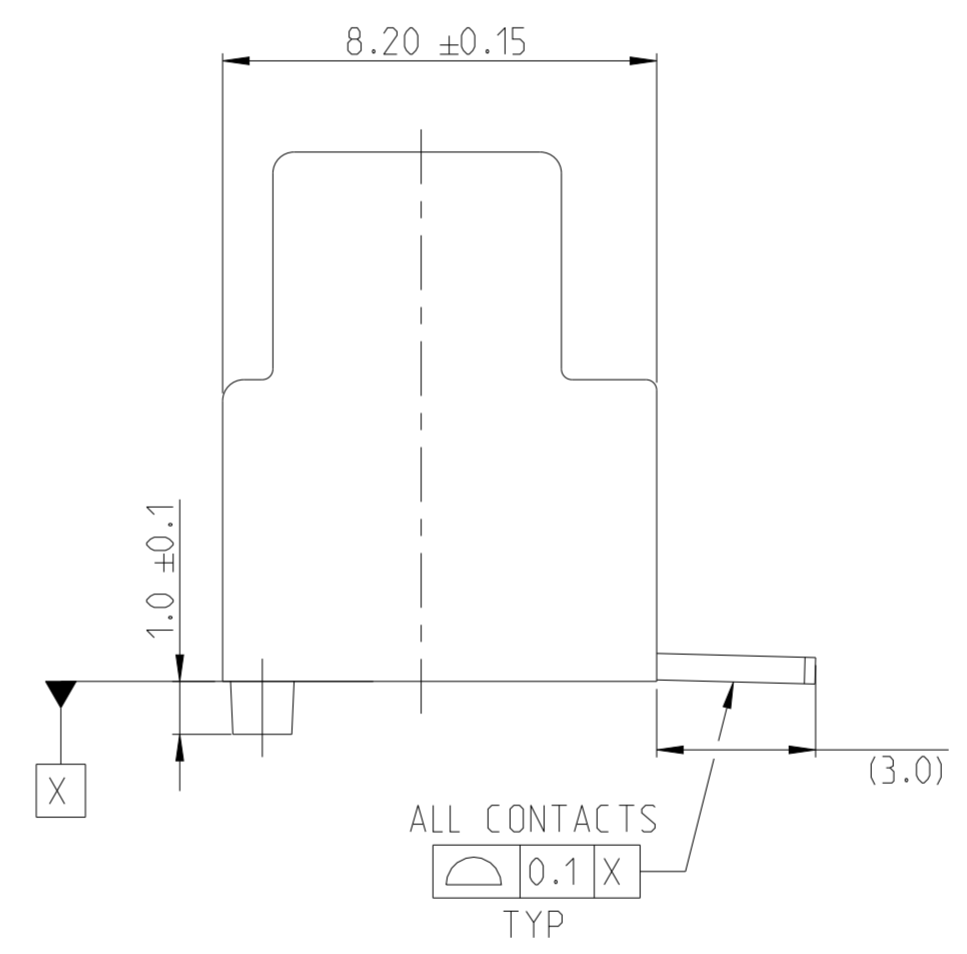
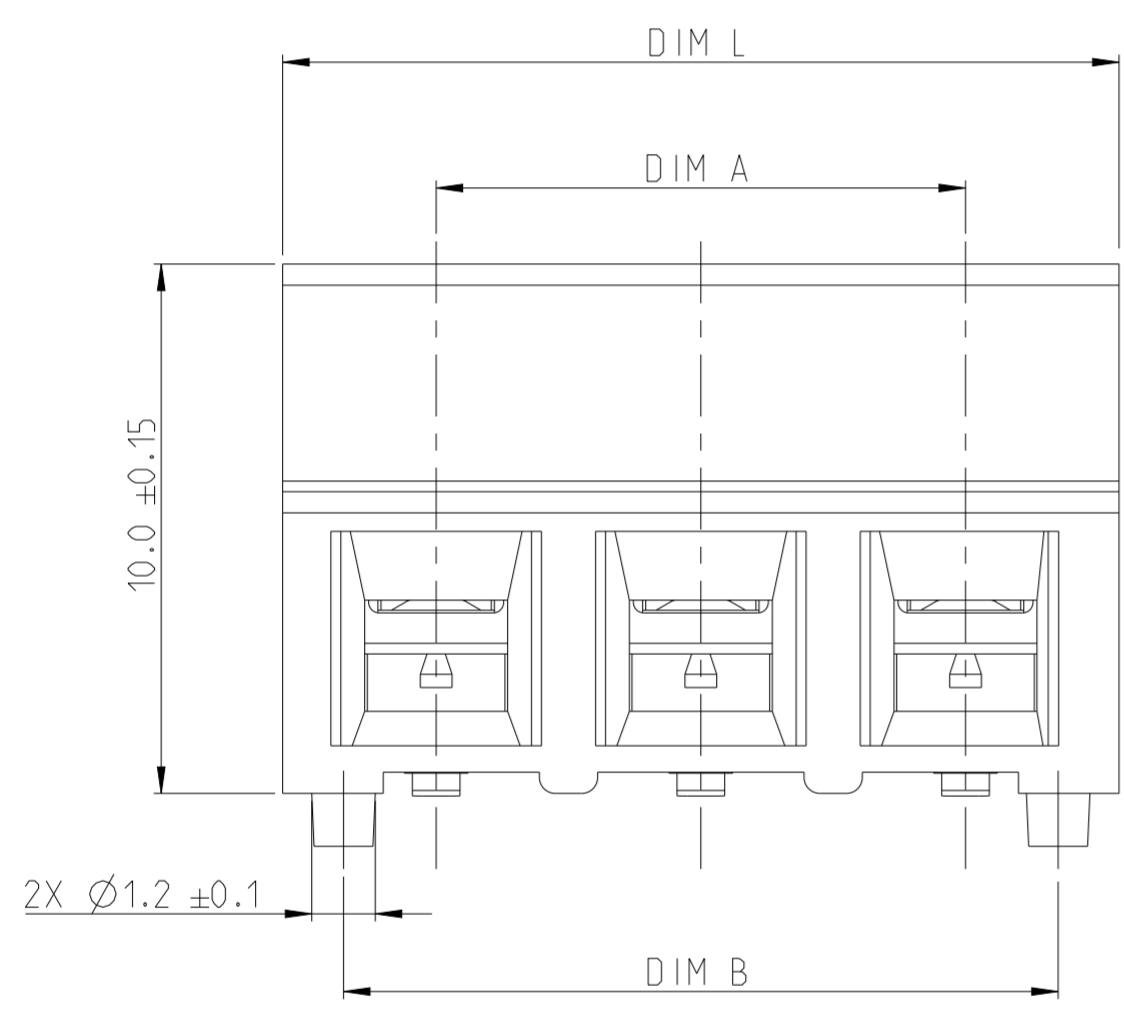
REVISIONS				
P	LTR	DESCRIPTION	DATE	APVD
1		PRELIMINARY	16DEC2020	DV PS
A		PRODUCTION RELEASE	28APR2021	SS PS
A1		NOTE 7 ADDED	23SEP2021	SS PS



2383938-3 AS SHOWN

NOTES

- MATERIALS & FINISH**
 HOUSING : HIGH TEMPERATURE PA, UL94 V0, COLOR -BLACK
 SCREW M3 : COPPER ALLOY, NICKEL PLATED
 CLAMP : COPPER ALLOY, NICKEL PLATED
 CONTACT : COPPER ALLOY, NICKEL & TIN PLATED
- MECHANICAL**
 WIRE STRIPPING LENGTH : 5-6 mm
 RECOMMENDED/HIGHEST TIGHTENING TORQUE : 0.5/0.6 Nm.
- ELECTRICAL**
 WIRE RANGE : 16 - 30 AWG
 MAX. VOLTAGE : 300 V
 MAX CURRENT : 13.5 A
 CONTACT RESISTANCE : <15 m Ohm
 INSULATION RESISTANCE : >1000 M Ohm (500V DC)
- OPERATING TEMPERATURE RANGE: -40 °C TO +105 °C**
- NOT CUMULATIVE TOLERANCE.**
- SCREW CLAMP WILL BE IN CLOSED CONDITION.**
- PACKAGING SPEC: 107-160084**



RECOMMENDED PCB LAYOUT

DIM A	DIM B	DIM L	POSITION	TE PN
55.00 ±0.25	58.5 ±0.25	60.80 ±0.25	12	1-2383938-2
50.00 ±0.20	53.5 ±0.20	55.80 ±0.20	11	1-2383938-1
45.00 ±0.20	48.5 ±0.20	50.80 ±0.20	10	1-2383938-0
40.00 ±0.20	43.5 ±0.20	45.80 ±0.20	9	2383938-9
35.00 ±0.20	38.5 ±0.20	40.80 ±0.20	8	2383938-8
30.00 ±0.20	33.5 ±0.20	35.80 ±0.20	7	2383938-7
25.00 ±0.20	28.5 ±0.20	30.80 ±0.20	6	2383938-6
20.00 ±0.20	23.5 ±0.20	25.80 ±0.20	5	2383938-5
15.00 ±0.15	18.5 ±0.15	20.80 ±0.15	4	2383938-4
10.00 ±0.15	13.5 ±0.15	15.80 ±0.15	3	2383938-3
5.00 ±0.10	8.5 ±0.15	10.80 ±0.15	2	2383938-2

THIS DRAWING IS A CONTROLLED DOCUMENT.

DIMENSIONS: mm	TOLERANCES UNLESS OTHERWISE SPECIFIED:	DWN: 16DEC2020 DATESH VERNEKAR	CHK: 18DEC2020 SUBHASREE SAHOO	APVD: 18DEC2020 PRASHANTH S	NAME: TERMINAL BLOCK, SMD MOUNT, 180 DEGREE, 5 mm PITCH
MATERIAL: 1	FINISH: 1	PRODUCT SPEC: 108-160231	APPLICATION SPEC: -	WEIGHT: -	SIZE: A2 CAGE CODE: 00779 DRAWING NO: C-2383938
CUSTOMER DRAWING			SCALE: 5:1	SHEET: 1 OF 1	REV: A1

TE Connectivity