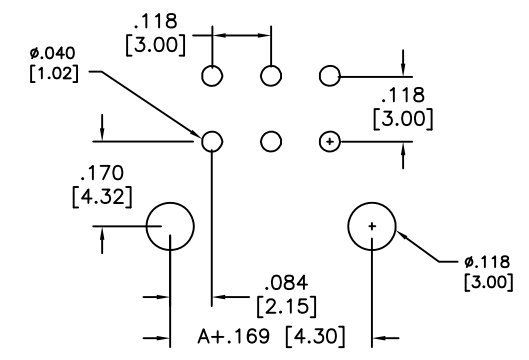
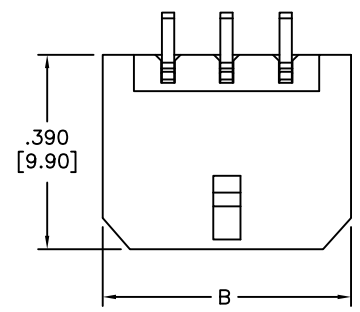
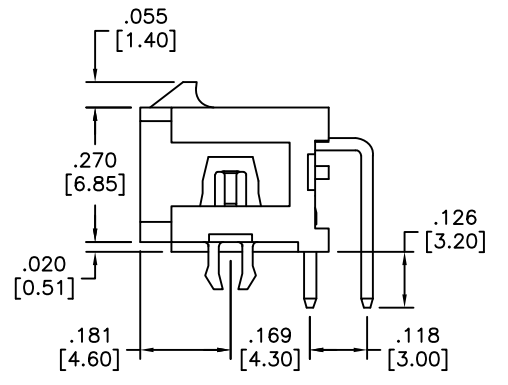
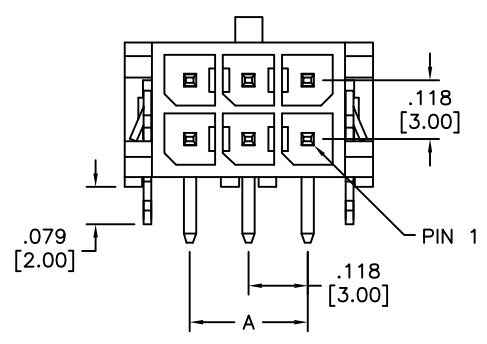


APPROVED: _____
 DATE: _____ TITLE: _____

Rev	AWO #	Description	Date	Appr
-		RELEASED	5/15/13	
A		UPDATED DRAWING	5/18/16	HR/LL
B		UPDATE DRAWING	1/3/18	AY/MY



RECOMMENDED PCB LAYOUT



SPECIFICATIONS:

Material:
 Insulator: Hi-Temp Thermoplastic, rated UL 94V-0
 Insulator color: Black
 Contacts: Brass
 Plating:

Tin over Nickel underplate overall

Electrical:
 Operating voltage: 250 V
 Current rating: 20 & 22 Awg: 5 Amps max
 24 Awg: 4 Amps max
 26 Awg: 3 Amps max
 28 Awg: 2 Amps max
 30 Awg: 1 Amp max

Contact resistance: 10 mohms max
 Dielectric strength: 1,500 VAC for 1 minute
 Temperature Rating:
 Temperature Rise: 30° max
 Environmental:
 Lead free, RoHS compliant.



Positions: 2 thru 24
 A = .118 [3.00] x No. of Spaces
 B = .118 [3.00] x No. of Spaces + .262 [6.65]

UNLESS OTHERWISE SPECIFIED
 ALL DIMENSIONS ARE INCHES [MM]
 TOLERANCES: EXCEPT AS NOTED

INCHES	HOLES
.X ± .10	Ø.X ± .10
.XX ± .020	Ø.XX ± .015
.XXX ± .015	Ø.XXX ± .010

ADAM TECH INTERCONNECTS
 909 Rahway Avenue,
 Union, NJ 07083
 Phone: 908-687-5000
 Fax: 908-687-5710

APPROVALS		DATE
DRAWN	AY	5/15/13
CHECKED	LW	5/15/13
APPROVED		

TITLE .118" [3.0mm] MICRO FIT HEADER DUAL ROW RIGHT ANGLE, SHORT BOARDLOCKS		
SIZE X	PART NO. DML-XX-A-H-T-A-SBL	REV. B
REF: S00123T	SCALE: NTS	SHEET 1 OF 1

6

5

4

3

2

1

6

5

4

3

2

1