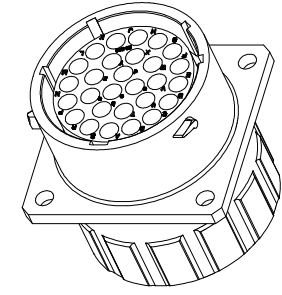
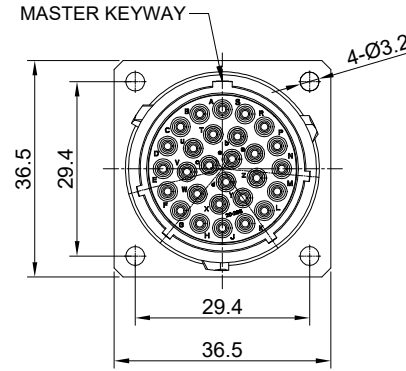
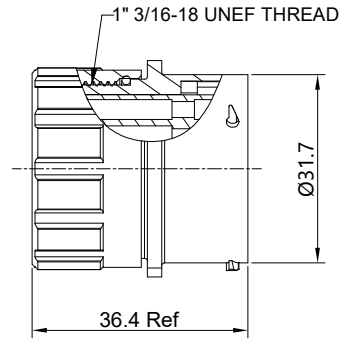
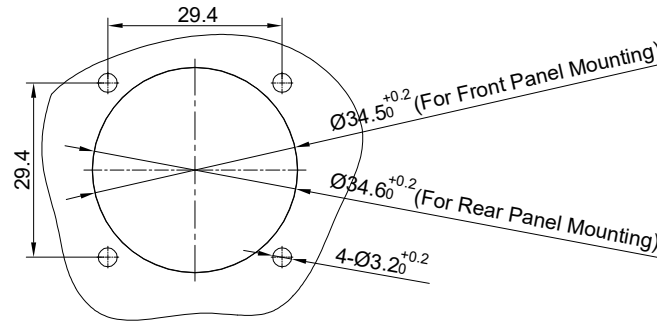


REVISIONS					
REV	ECO	DESCRIPTION	DATE	BY	APPR
B1	-	RELEASED DRAWING	NOV-23-2014	BEN	TOMMY
B2	-	UPDATE RATED VOLTAGE	OCT-28-2022	JUN	TOMMY
B3	-	UPDATE RATED CURRENT	May-3-2023	JUN	TOMMY



NOTES: (UNLESS OTHERWISE SPECIFIED)

- MATERIAL:
 - SHELL: ZINC ALLOY, NICKEL PLATED.
 - INSERT: THERMOPLASTIC, UL94 V-0.
 - END CAP: THERMOPLASTIC, UL94 V-0.
 - PLASTIC BUSHING: THERMOPLASTIC, UL94 V-0.
 - SEAL GASKET: NBR/SILICONE RUBBER.
 - O-RING: NBR/SILICONE RUBBER.
 - WIRE SEAL: SILICONE RUBBER.
- SPECIFICATIONS:
 - 2.1 RATED CURRENT: 3A (MAX).
 - 2.2 RATED VOLTAGE: 500V (AC/DC)
 - 2.3 OPERATING TEMPERATURE: SEE CHART.
 - 2.4 DIELECTRIC WITHSTANDING VOLTAGE: LESS THAN 2 MILLIAMPS CURRENT LEAKAGE@2000 VOLTS AC.
 - 2.5 INSULATION RESISTANCE: 5000 MEGOHMS MIN.
 - 2.6 IP-CLASS: IP67.
 - 2.7 MATING CYCLES DURABILITY: 500 CYCLES MIN.
 - 2.8 ROHS COMPLIANT.
- SUITABLE CONTACTS : 16# CONTACTS.
- ALL DIMENSIONS ARE FOR REFERENCE USE ONLY.
- CONTACT SIZE AND REAR SEAL WIRE RANGE:



PANEL CUT OUT REFERENCE

KEY POS	PART NUMBER	
	-40°C ~ 105°C	-40°C ~ 125°C
N	RT002028SNHEC	RT002028SNHEC03
W	RT002028SWHEC	RT002028SWHEC03
X	RT002028SXHEC	RT002028SXHEC03
Y	RT002028SYHEC	RT002028SYHEC03
Z	RT002028SZHEC	RT002028SZHEC03

SEE PART NUMBER CHART			
QUANTITY	PART NUMBER	DESCRIPTION	ITEM
MATERIALS LIST			
UNLESS OTHERWISE SPECIFIED 1) All dimensions are in metric (mm). 2) Tolerances are as follows: 1 PL DEC ±0.30 Fractions ±1/64 2 PL DEC ±0.15 Angles ±1° 3) Note reference =		SIGNATURES DRAWN: JUN CHECKED: Joe ENGINEER: APPROVAL: TOMMY	DATE May-3-2023 May-5-2023 May-8-2023
MATERIAL SPECIFICATIONS:		Amphenol Sine Systems - www.amphenol-sine.com 44724 Morley Drive Clinton Township, MI 48036	
PROCESS SPECIFICATIONS:		EcoMate Aquarius, RECEPTACLE, SIZE 20,28POS, SOCKET, END CAP.	
NEXT ASSY:		THIS DRAWING IS SUPPLIED FOR INFORMATION ONLY. DESIGN FEATURES, SPECIFICATIONS AND PERFORMANCE DATA SHOWN HEREON ARE THE PROPERTY OF THE AMPHENOL CORPORATION. NO RIGHTS OF REPRODUCTION ARE IMPLIED. ALL DIMENSIONS ARE SUBJECT TO NORMAL MANUFACTURING VARIATIONS.	CUSTOMER: SCALE: NONE SHEET 1 OF 1
		SIZE TYPE DWG NO: B C- RT002028S*HEC*	REVISION B3

TITLE: EcoMate Aquarius, RECEPTACLE, SIZE 20,28POS, SOCKET, END CAP. DWG NO: RT002028S*HEC* REV: B3 SH: 1 OF: 1