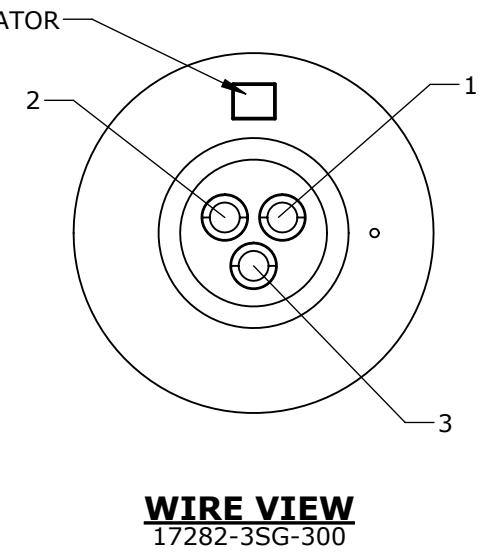
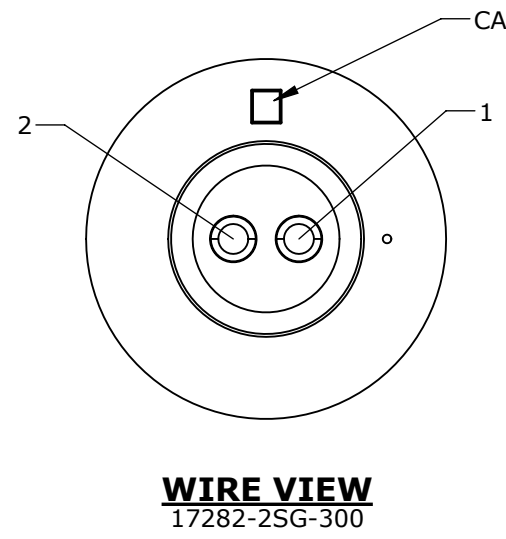
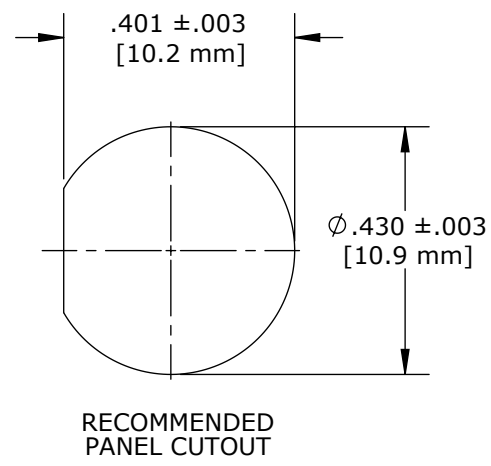
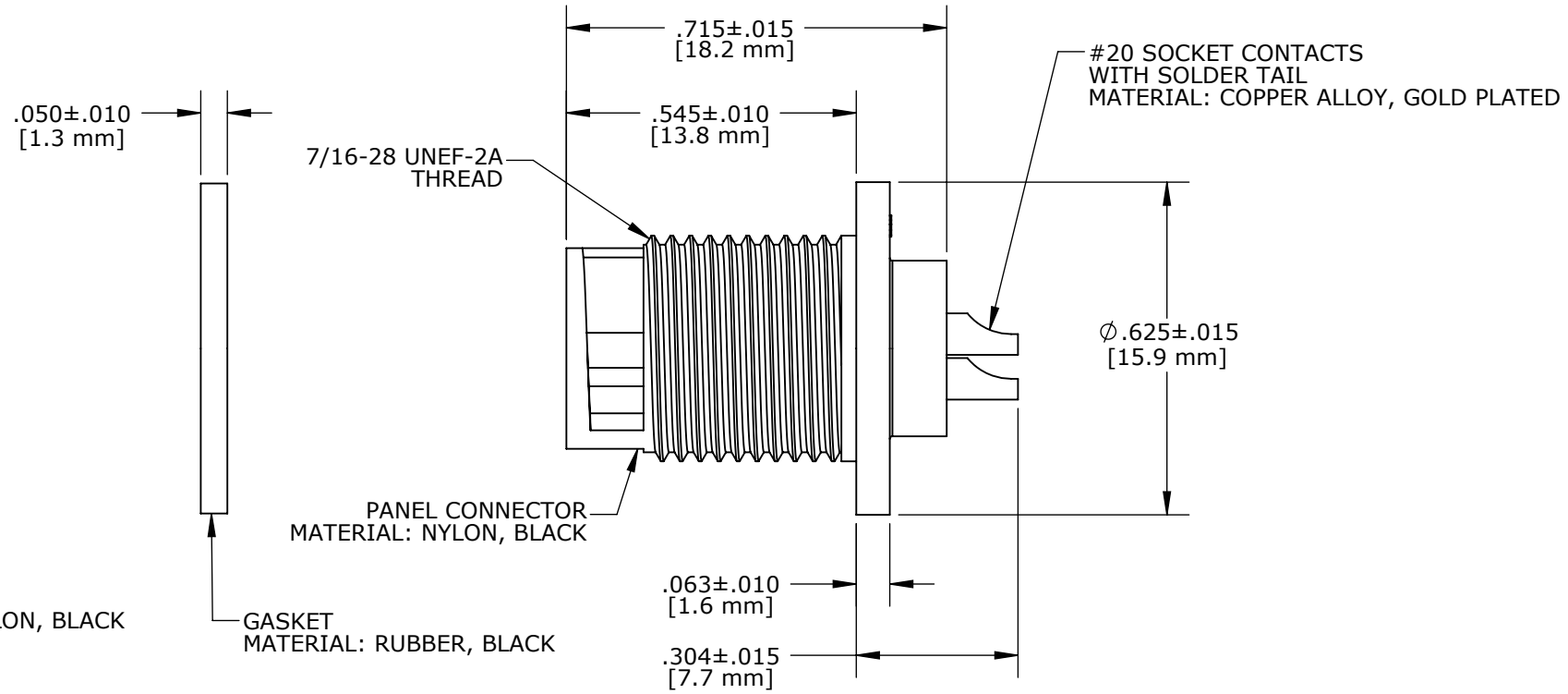
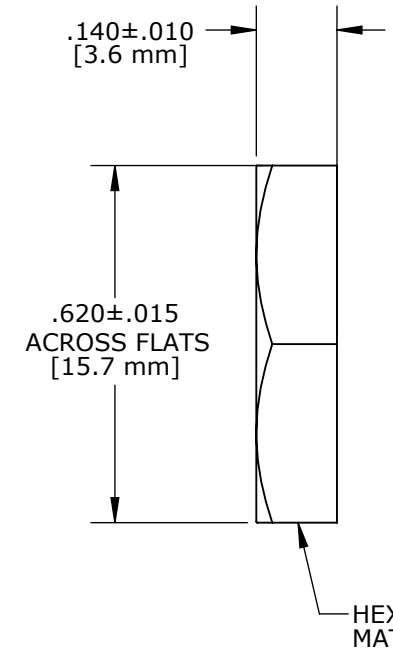
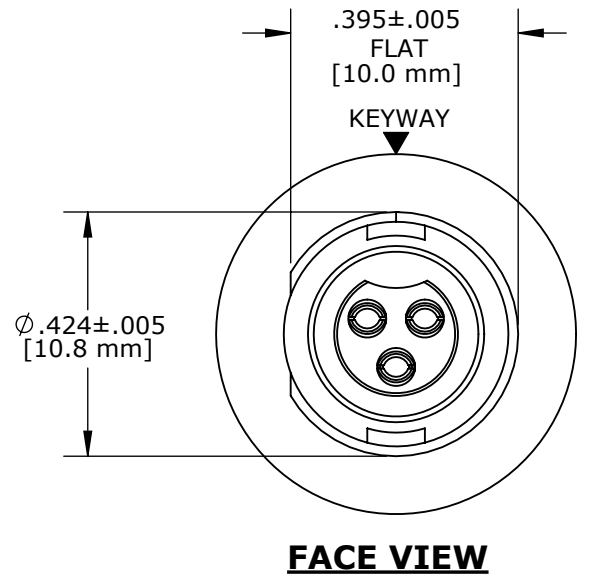


ASS'Y P/N	CONTACT QTY.
17282-2SG-300	2-#20
17282-3SG-300	3-#20

NOTES:
 1. PARTS TO BE BULK PACKED.
 2. CONTACTS ARE ASSEMBLED INTO PANEL CONNECTOR.

CUSTOMER PRINT

PART NUMBER: 17282-XSG-300



CUSTOMER APPROVAL

THIS DOCUMENT CONTAINS CONFIDENTIAL INFORMATION PROPRIETARY TO CONXALL CORPORATION. ANY REPRODUCTION, DISCLOSURE, OR USE OF THIS DOCUMENT /INFORMATION IS EXPRESSLY PROHIBITED UNLESS AUTHORIZED IN WRITING BY CONXALL CORPORATION.

APPROVED BY: _____
 DATE: _____

B	AN	08-09-16	UPDATED MANUFACTURING DRAWING PER ECR 8614
A	BZ	02-24-11	DRAWING CREATED PER DOR 11-E149SL
REV.	INIT.	DATE	DESCRIPTION
	BZ	02-24-11	ORIG. DRAWN BY: DATE: 02-24-11
ALL INFORMATION ILLUSTRATED IS THE PROPERTY OF "CONXALL CORPORATION". UNAUTHORIZED DUPLICATION OR DISTRIBUTION OF THIS DOCUMENT IS PROHIBITED.			 601 E. WILDWOOD VILLA PARK, IL 60181
ALL UNITS ARE IN FEET, INCHES, FRACTION OF INCHES AND DECIMALS.			
APPROVED BY:		TITLE: PANEL CONNECTOR ASSEMBLY (2-3) #20 SOCKET CONTACTS, SOLDER TAIL MICRO-CON-X	
SCALE	SIZE	SHEET	CUSTOMER: STANDARD PRODUCT
NTS	B	1 OF 1	
FILE:	DIRECTORY:	PART NUMBER:	REV
17282-XSG-300	SLW	17282-XSG-300	B

DIMENSIONS IN BRACKETS [] ARE METRIC

RoHS COMPLIANT