



FEATURES

- Large Active Area
- Low Noise
- High Sensitivity
- Custom Gains Available
- Hermetically Sealed TO-39
- Blue Enhanced Detector

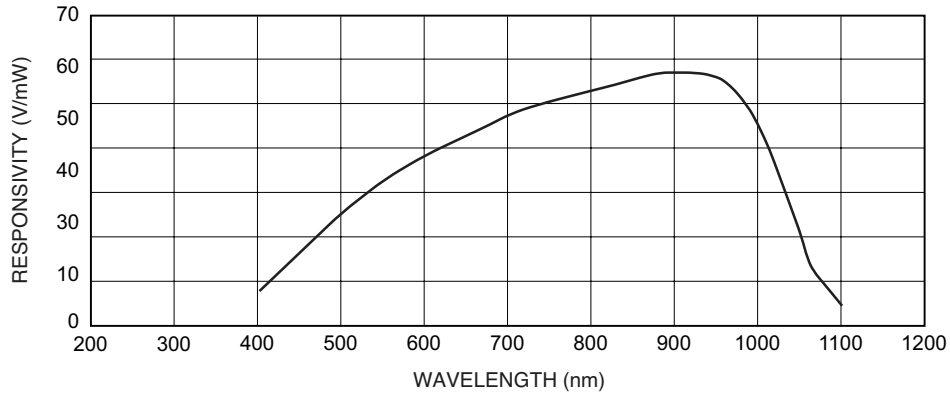
Electro-Optical Characteristics at 23°C

Parameters	Test Conditions	Min	Typ	Max	Units
Dark Offset	$V_s = \pm 15\text{ V}$			± 1	mV
Dark Offset Noise	$V_s = \pm 15$ BW = 0.1 to 800 kHz		477	1000	$\mu\text{V rms}$
Sensitivity	$V_s = \pm 15$ $\lambda = 450\text{ nm}$	20	28		V/mW
Frequency Response (-3 db)	$V_s = \pm 15$ $\lambda = 940\text{ nm}$	500	800		kHz
NEP	$\lambda = 940\text{ nm}$		6.76		$\text{pW}/\sqrt{\text{Hz}}$
Transimpedance Gain			100		k Ω
Supply Current	$V_s = \pm 15\text{ V}$		6.2	7.5	mA

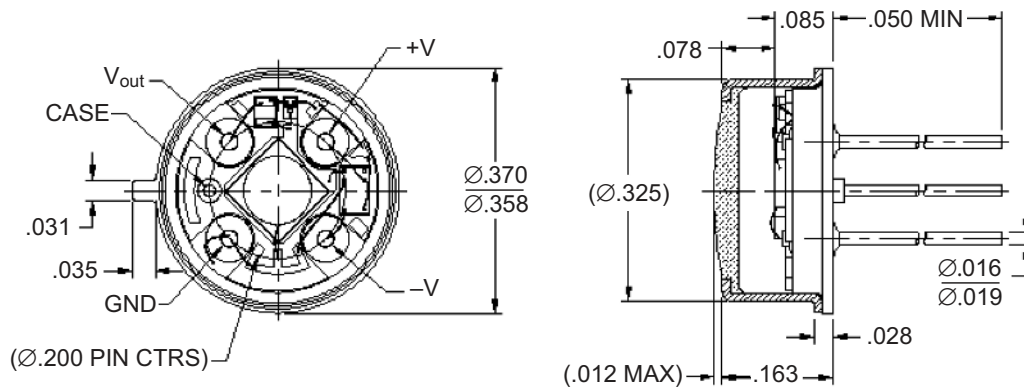
Thermal Parameters

Parameters	Units
Voltage Supplies	± 5 to $\pm 15\text{ V}$
Power Dissipation	225 mW
Storage and Operating Temperature	-25 to +100°C
Soldering Temperature (1/16" from case for 3 seconds max)	+260°C

Typical Spectral Response

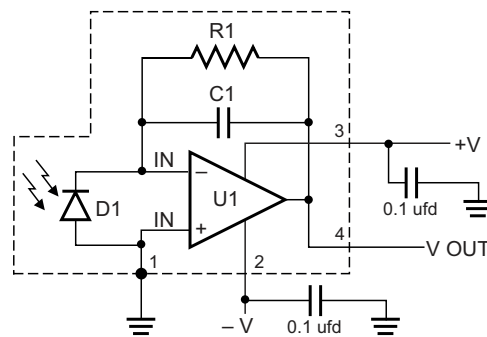


Package Information



SHOWN WITH CAP REMOVED FOR CLARITY

Dimensions are in inch [metric] units.



Specifications are subject to change without prior notice.