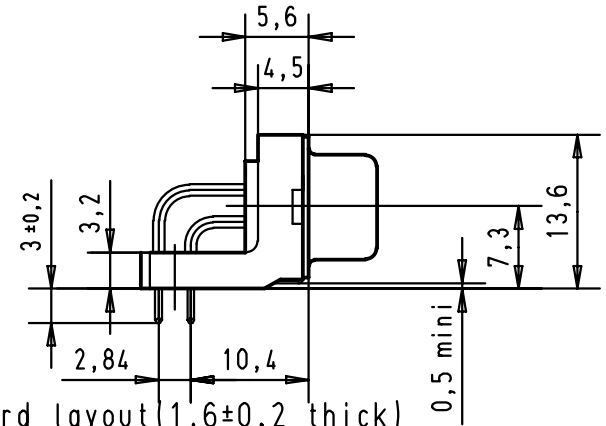
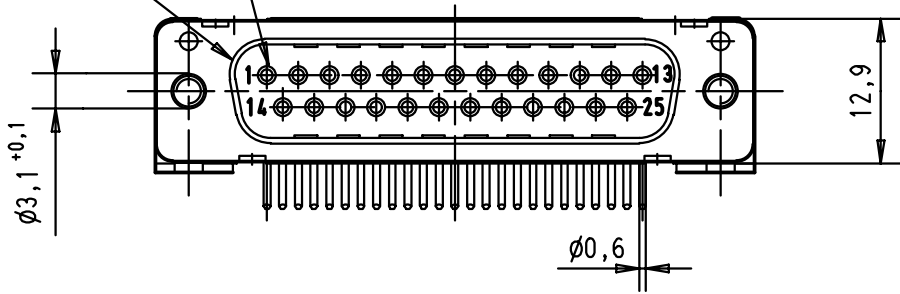


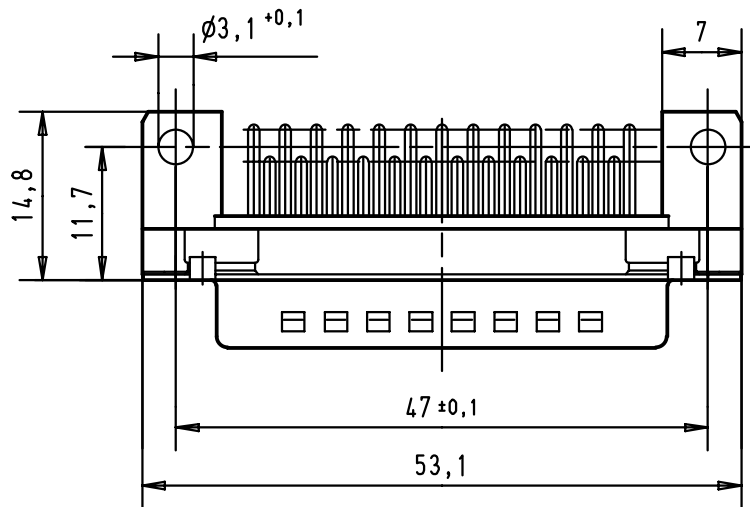
5 4 3 2 1

Mating face according to MIL-C-24308 / DIN 41 652 / CECC 75301-802

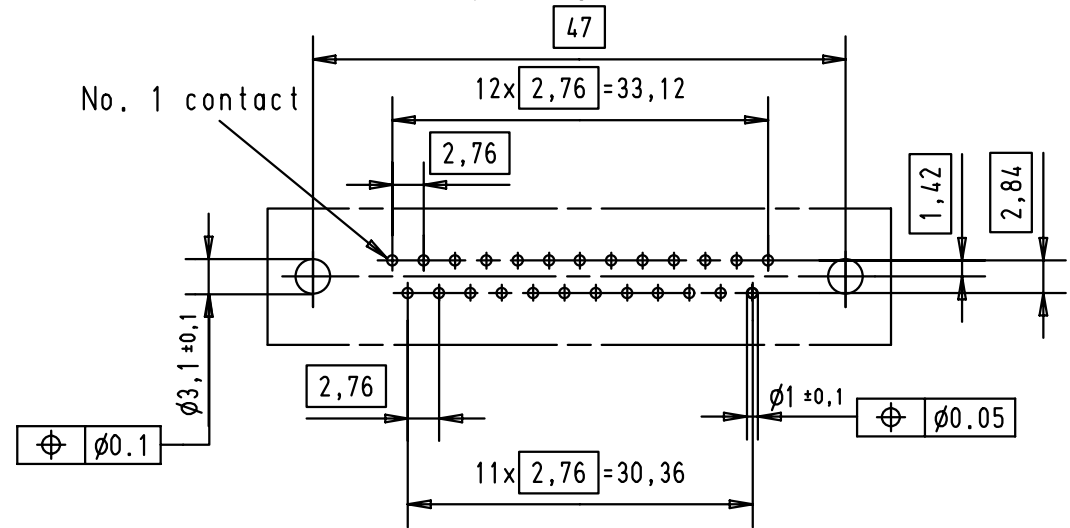
No. 1 contact

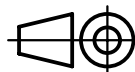


Printed board layout (1,6±0,2 thick)  
View component side  
(PCB plating = Tin)



No. 1 contact



A	09 66 323 6801	M3	2						 All Dim. in mm Orig. Size DIN A 4	D-Sub male standard 25 poles with solder pins and nuts	Maßstab/ Scale 1,5:1	
	09 66 323 7801	M3	3				Detail.	23-NOV-01				JB
	09 66 323 5801	M3	0,76 µm Au				Insp.					
	09 66 323 6802	4-40 UNC	2				Stand.					
	09 66 323 7802	4-40 UNC	3									
	09 66 323 5802	4-40 UNC	0,76 µm Au	29733	23-NOV-01	JB	HARTING EURL F-95972 Paris			TB 09 66 323 X80X Sub.	Blatt/ Page 1	
	Part number	nut thread	Performance level	Mod.	Dat.	Name						