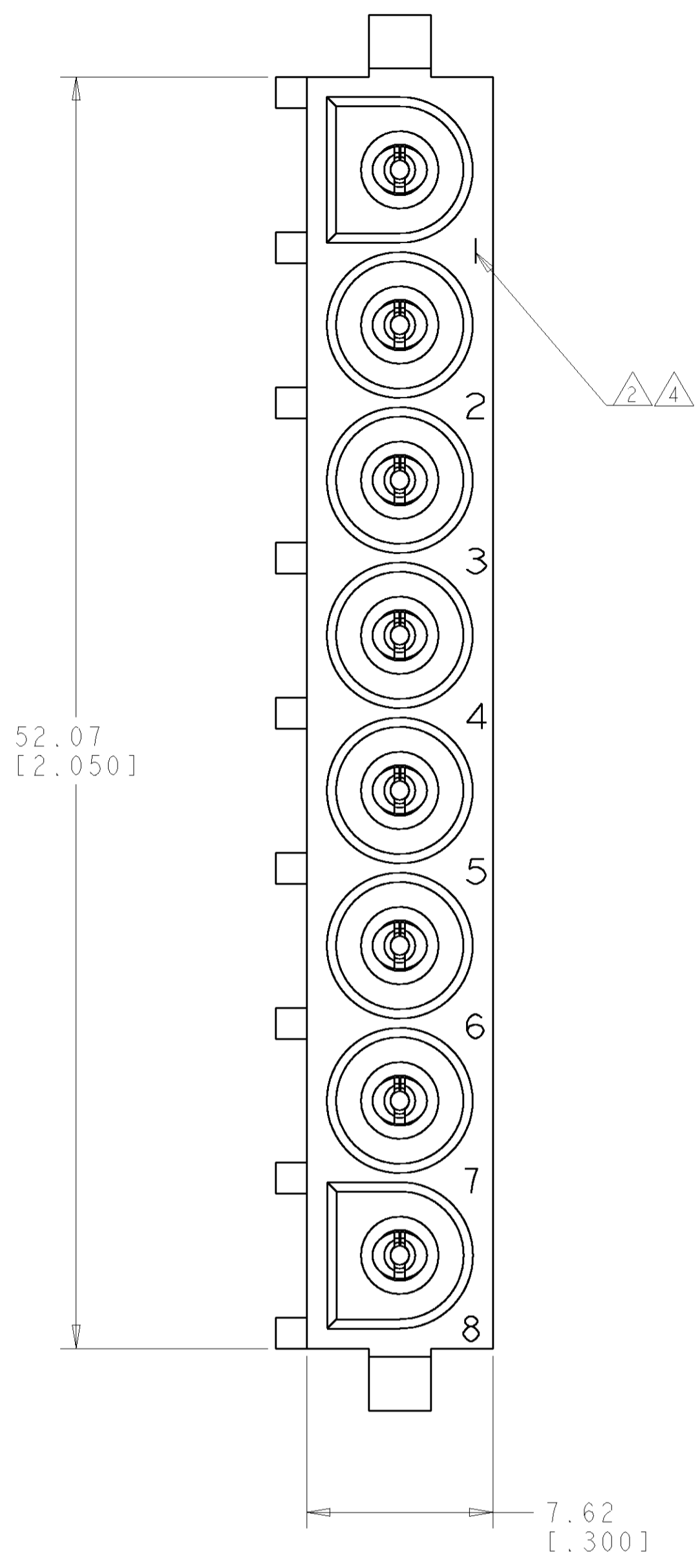
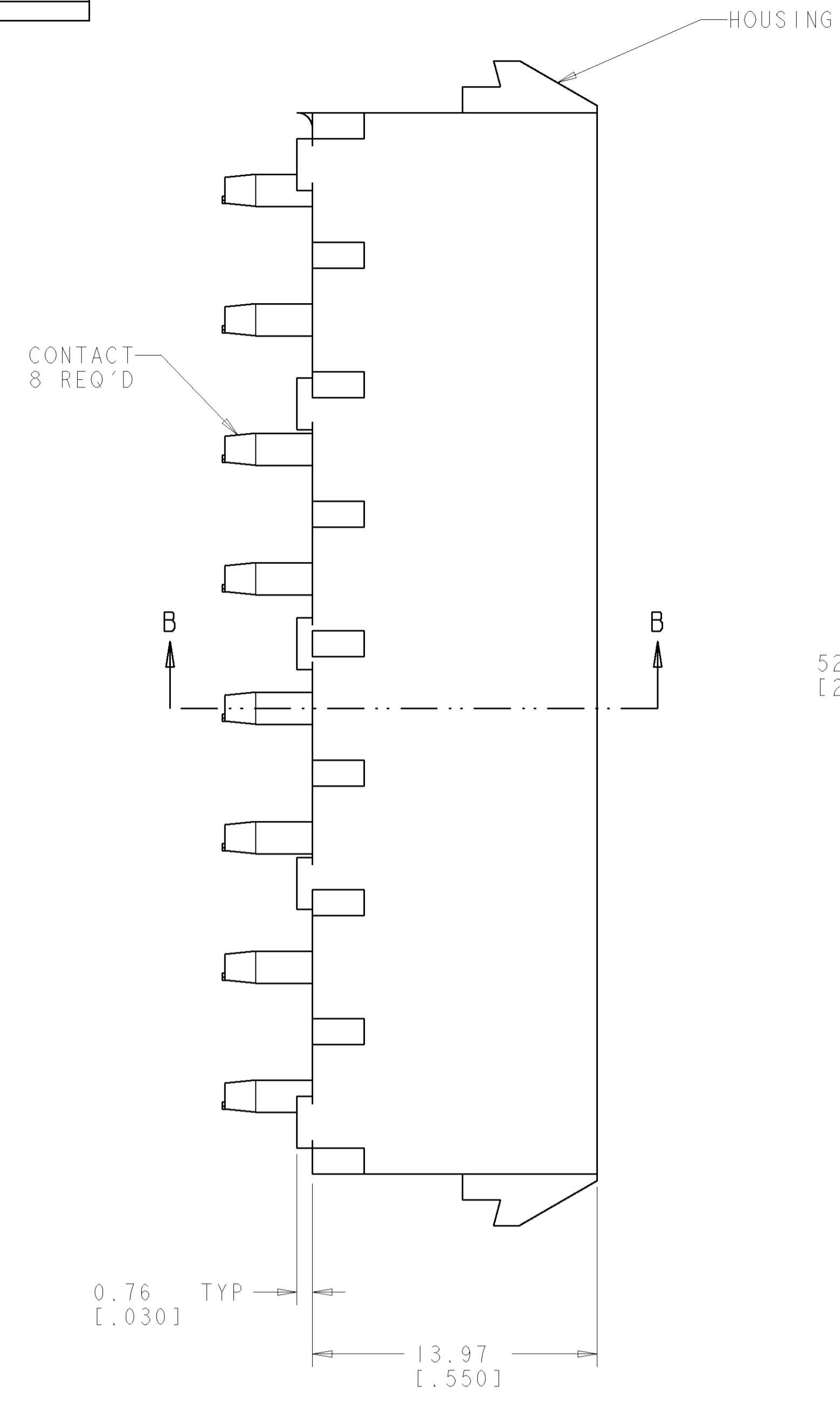
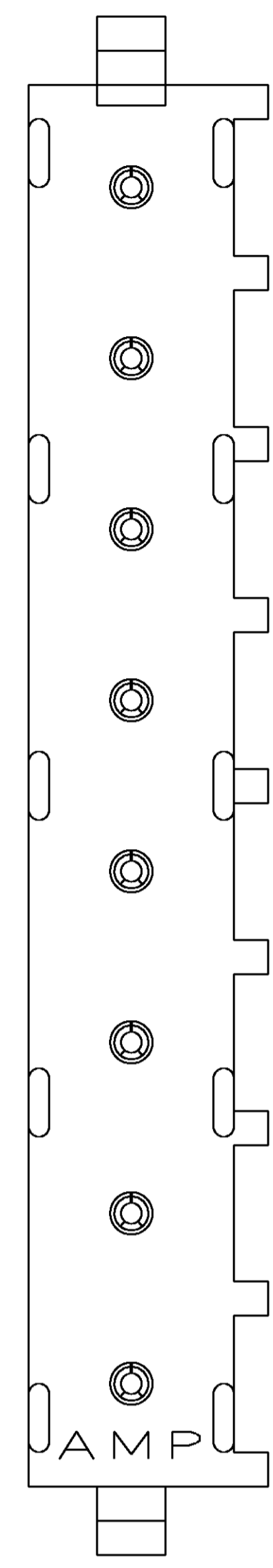
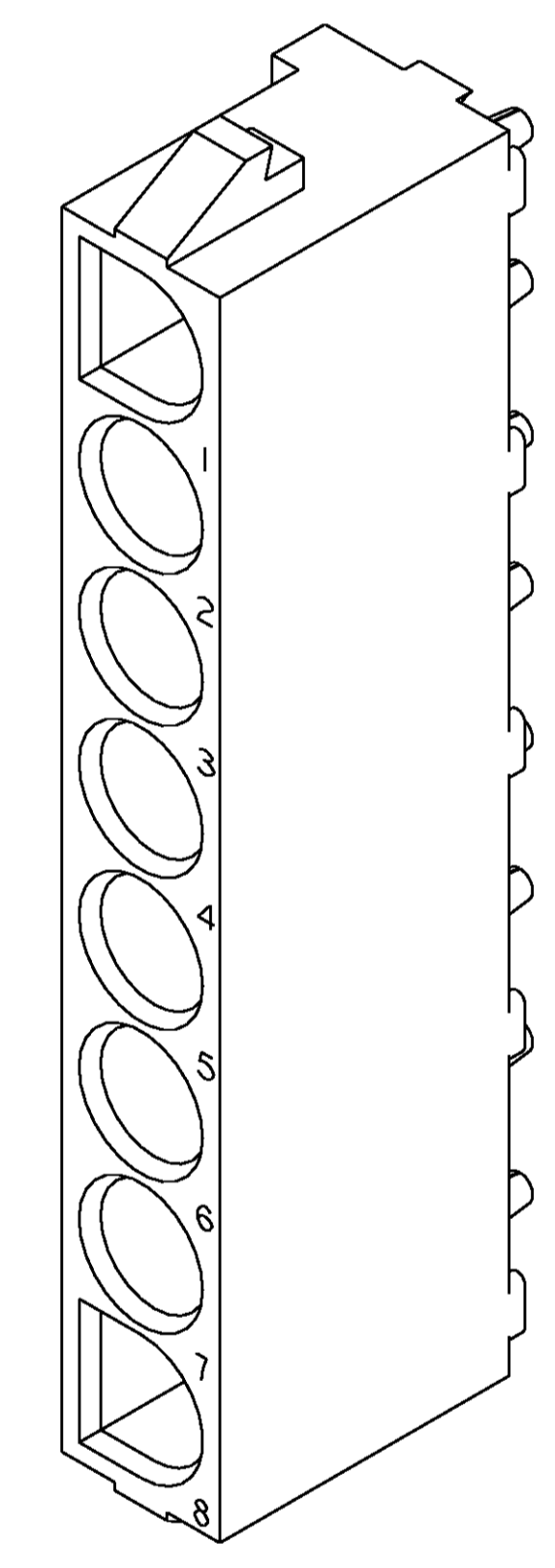


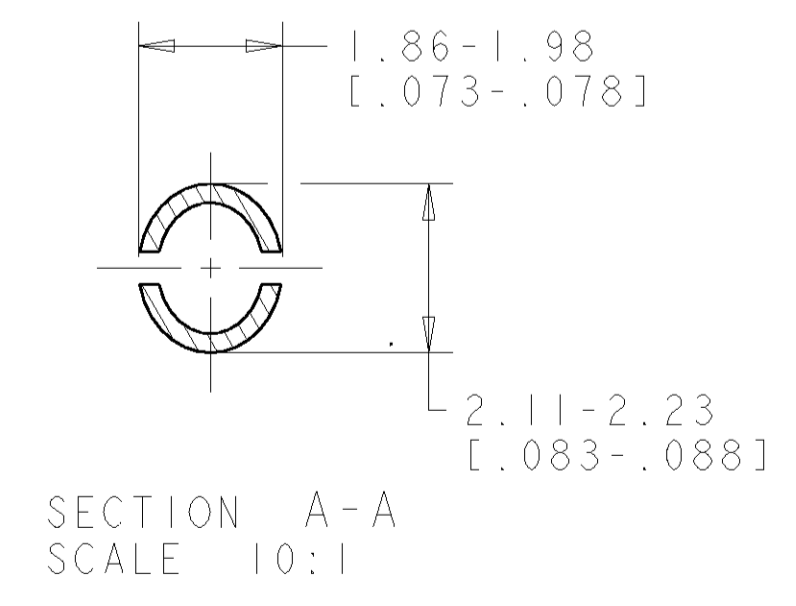
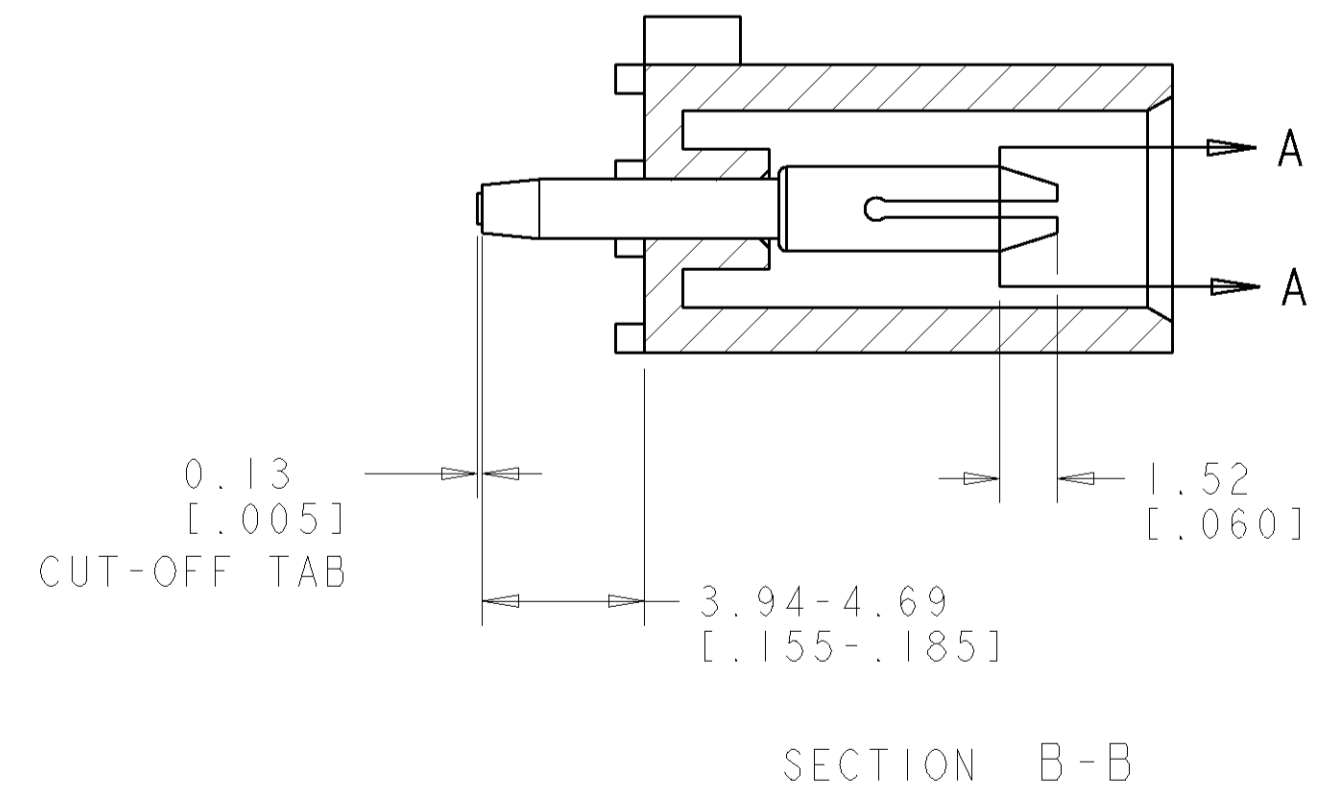
LOC	DIST	REVISIONS					
CM	00	P	LTR	DESCRIPTION	DATE	DWN	APVD
		0		REVISED PER 0638-0087-04	20MAY04	KW	SR



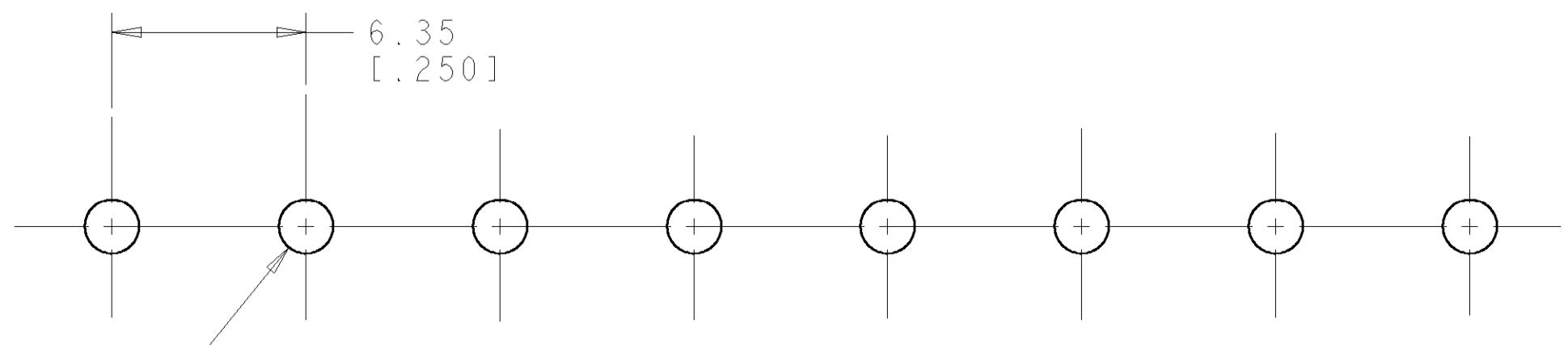
- PARTS COMPLY TO AMP SOLDERABILITY SPECIFICATION 109-11-3.
- CIRCUIT IDENTIFICATION CHARACTERS ARE ADJACENT TO THE INDICATED CAVITIES, BUT LOCATION AND ORIENTATION MAY DIFFER FROM PRINT.
- DIMENSIONS IN BRACKETS ARE IN INCHES.
- IDENTIFICATION WILL APPEAR AT CIRCUIT NO. 1, OTHERS OPTIONAL.



SCALE 4:1



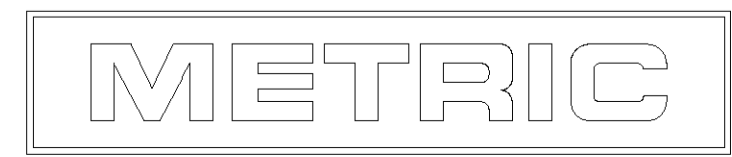
SECTION A-A
SCALE 10:1



$\varnothing 1.78 \pm 0.07$
 $[.070 \pm .003]$
 8 PLC

RECOMMENDED MOUNTING HOLE PATTERN
 FOR 1.57 [.062] THICK P.C. BOARD

PHOSPOR BRONZE, PRE-TIN PIN CONTACT MATERIAL AND FINISH	NYLON, UL94V-2, NATURAL HOUSING MATERIAL AND COLOR	1586136-1 PART NUMBER
--	---	--------------------------



DIMENSIONS: mm [INCHES]		TOLERANCES UNLESS OTHERWISE SPECIFIED:		DWN R. WHITAKER 20MAY04 ENR S. RIDGILL 20MAY04 APVD S. RIDGILL 20MAY04		Tyco Electronics Harrisburg, PA 17105-3608	
0 PLC ±	1 PLC ±	2 PLC ±0.13(.005)	3 PLC ±	4 PLC ±	NAME	PIN HEADER ASSEMBLY, 8 CIRCUIT, NO DRAIN HOLES, UNIVERSAL MATE-N-LOK™	
MATERIAL SEE TABLE				FINISH SEE TABLE		SIZE CAGE CODE DRAWING NO. RESTRICTED TO A1 00779 C=1586136	WEIGHT - CUSTOMER DRAWING
						SCALE 5:1	SHEET 1 OF 1 REV 0