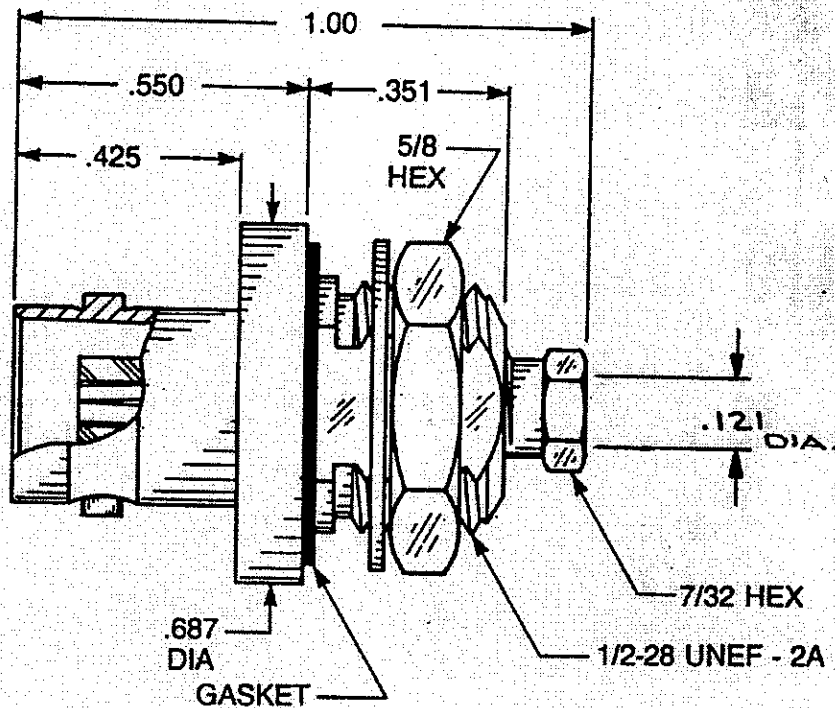


DESIGN SUBJECT TO CHANGE BY A. E. P.



NOTES: CONFORMS TO MIL-C-39012 BNC SERIES

MATERIAL:

1. CONTACT = BERYLLIUM COPPER PER QQ-C-530.
2. INSULATORS = TEFLON TFE PER ASTM-D-1710.
3. GASKET = SILICONE RUBBER PER ZZ-R-765, CLASS 2B, GRADE 65-75.
4. LOCKWASHER = PHOSPHOR BRONZE PER QQ-B-750.
5. ALL OTHER METAL PARTS = BRASS PER QQ-B-626, ALLOY 360 1/2 HARD.

FINISHES:

1. CONTACT = GOLD PLATE PER MIL-G-45204 TYPE II, CLASS I, GRADE C OVER COPPER STRIKE PER MIL-C-14550.
2. ALL OTHER METAL PARTS = NICKEL PLATE PER QQ-N-290, CLASS I, GRADE G EXCEPT OVER COPPER PER MIL-C-14550.

PROPRIETARY INFORMATION
NOT TO BE RELEASED
WITHOUT WRITTEN PERMISSION
FROM AN AUTHORIZED
REPRESENTATIVE OF
APPLIED ENGINEERING PRODUCTS.

BNC BULKHEAD JACK
FRONT MOUNT

FOR USE WITH RG-174, 179,
187, 188, 316, M17/94, 113, 119,
172, 173

APPLIED ENGINEERING PRODUCTS

104 John W. Murphy Drive, P.O. Box 510
New Haven, CT 06513

CODE IDENT.

19505

6502-7051-003

Form 1