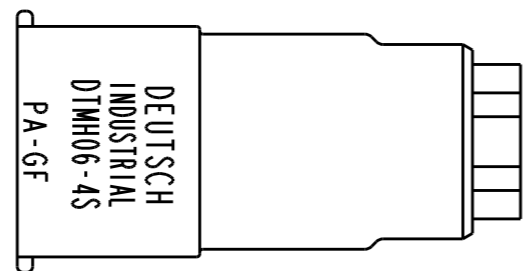
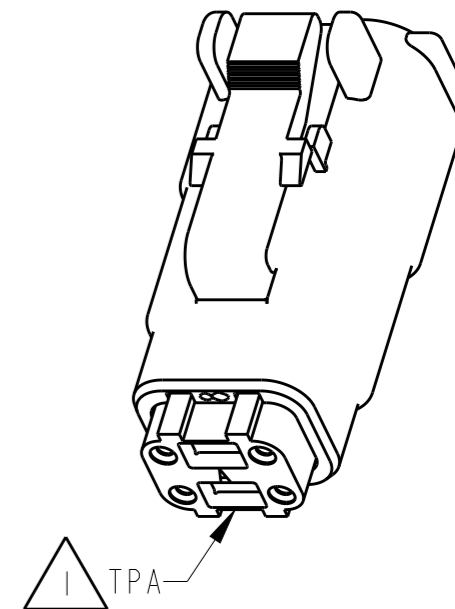
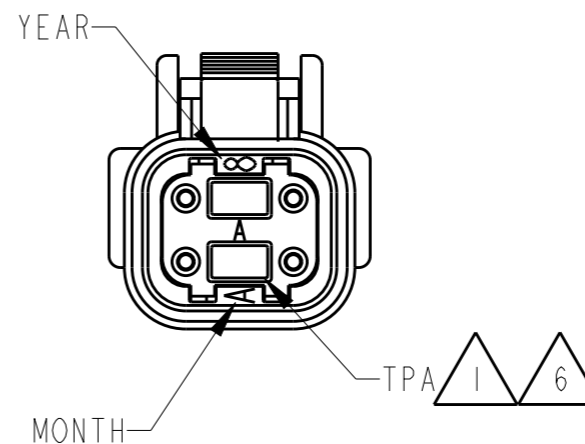
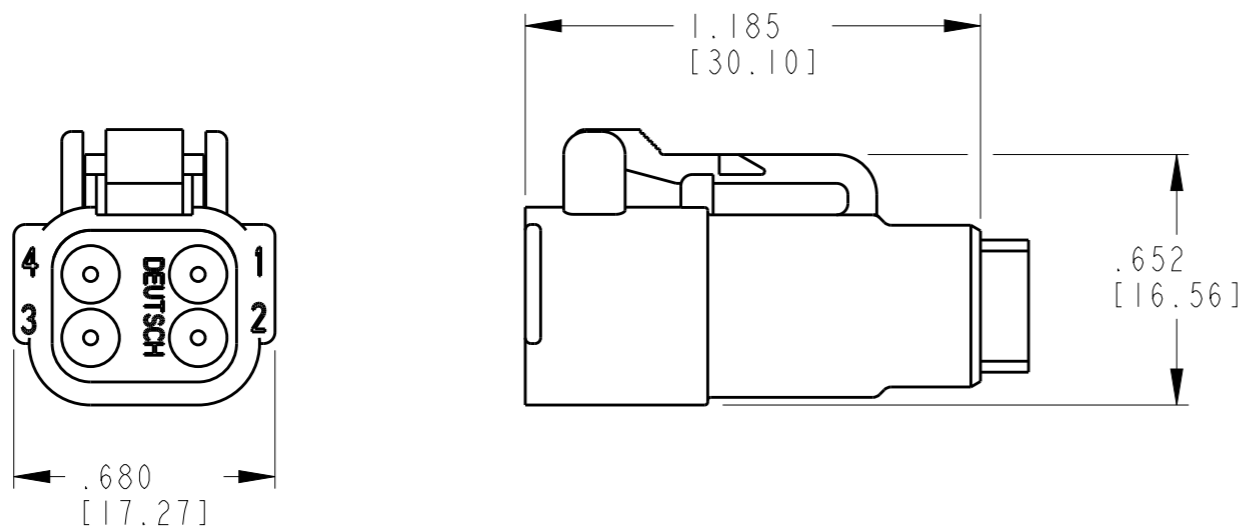
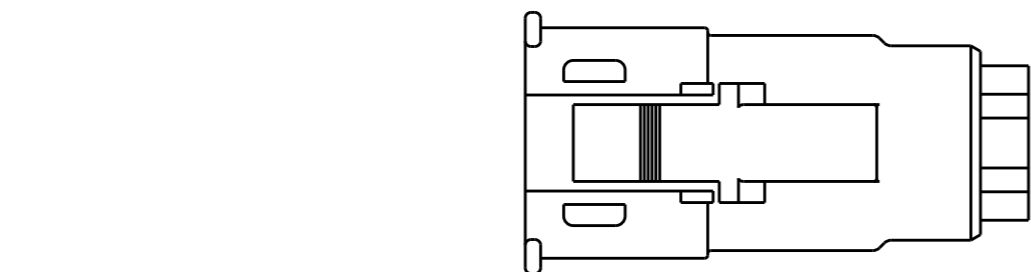


THIS DRAWING IS UNPUBLISHED. RELEASED FOR PUBLICATION 20
© COPYRIGHT 20 BY - ALL RIGHTS RESERVED.

LOC	DIST	REVISIONS			
P	LTR	DESCRIPTION	DATE	DWN	APVD
-	-	NC	NEW RELEASE PER E.O. PI9775	5-16-08	DW RDR
		A	CHANGED PER E.O. PI9993	9-9-08	DW SB
		B	REVISED PER ECO-13-009529	5-17-13	JA RM



CONTACT SIZE	MIN. INSUL. O.D.	MAX. INSUL. O.D.	WIRE RANGE [mm ²] REF ONLY
20	.053 [1.35]	.120 [3.05]	16-20 AWG [1.0-0.2]

- △6 SEE SHEET 2 FOR OTHER KEY ARRANGEMENTS.
- 5. PLUG IS RATED AT 150°C.
- △4 MATERIAL - HOUSING: PLASTIC; GROMMET: RUBBER
- 3. THIS PLUG MATES WITH DTMH04-4P* AND DTM04-4P* RECEPTACLE. (* = A,B,C,D KEYS).
- △2 FOR CONTACT AND WIRE PERFORMANCE AND APPLICATION CHARACTERISTICS SEE ENVELOPE DRAWING 0425-015-0000.
- △1 TERMINAL POSITION ASSURANCE (TPA) LOCK PRE-MOUNTED: WMH-4S* (* = A,B,C,D KEYS)

NOTES: UNLESS OTHERWISE SPECIFIED

THIS DRAWING IS A CONTROLLED DOCUMENT.		DWN 5-17-13 JAIME C. APOSTOL		TE Connectivity	
DIMENSIONS: mm [INCHES]		CHK 5-17-13 ROBERT MILLIGAN			
TOLERANCES UNLESS OTHERWISE SPECIFIED:		APVD 5-17-13 ROBERT MILLIGAN		PRODUCT SPEC	
0 PLC ± 1 PLC ± 2 PLC ± 3 PLC ±0.025 [0.64] 4 PLC ± ANGLES ±0°30'0"		APPLICATION SPEC		SIZE A3	
MATERIAL △4		FINISH -		CAGE CODE 4AFU8	
		WEIGHT 5.86g		DRAWING NO. DTMH06-4SX	
		Customer Drawing		RESTRICTED TO -	
		SCALE 2:1		SHEET 1 OF 2	
				REV B	

4

3

2

1

THIS DRAWING IS UNPUBLISHED.

RELEASED FOR PUBLICATION

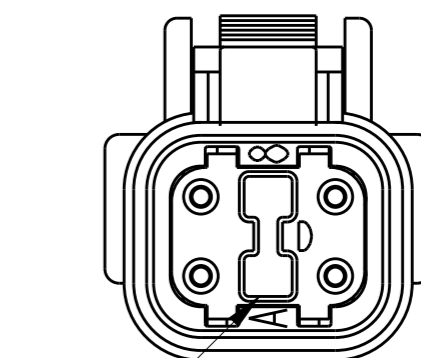
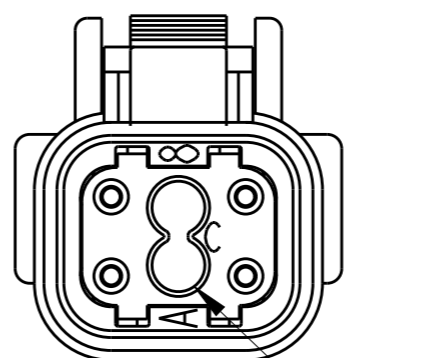
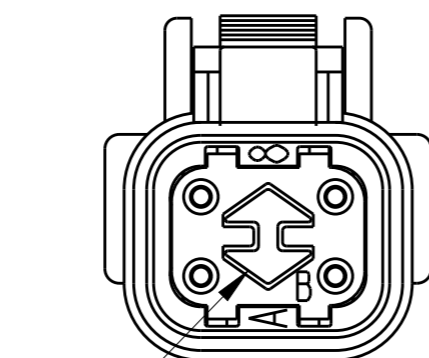
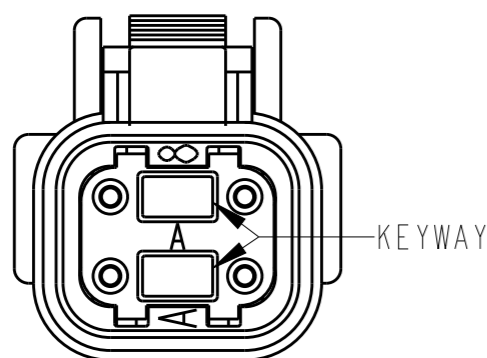
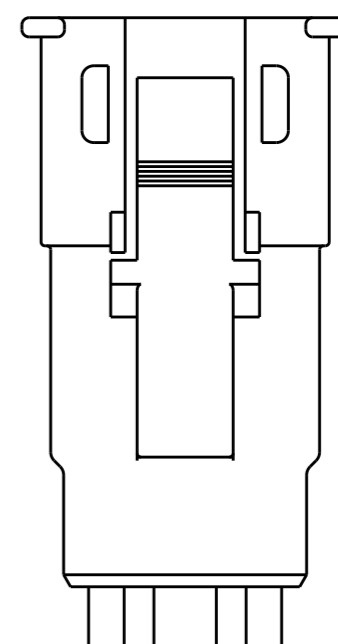
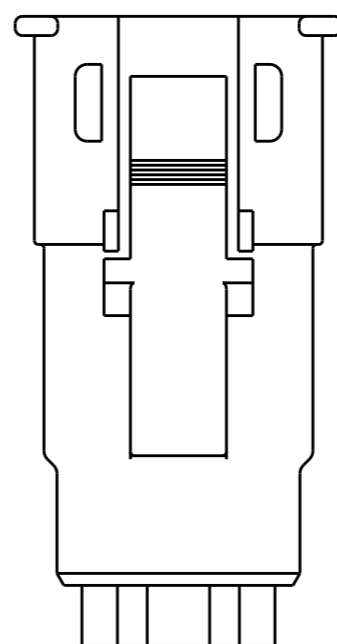
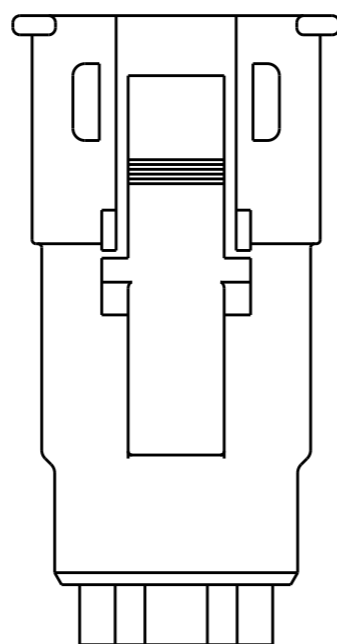
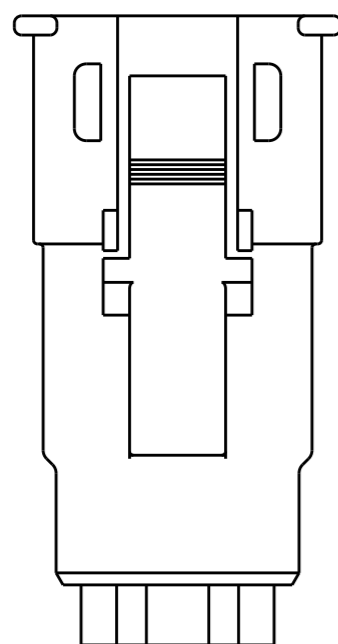
20

© COPYRIGHT 20 BY -

ALL RIGHTS RESERVED.

LOC	DIST
-	-

REVISIONS					
P	LTR	DESCRIPTION	DATE	DWN	APVD
	B	SEE SHEET 1	5-17-13	JA	RM



DTMH06-4SA

-A- KEY
TPA COLOR: GREY

DTMH06-4SB

-B- KEY
TPA COLOR: BLACK

DTMH06-4SC

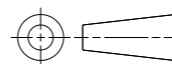
-C- KEY
TPA COLOR: GREEN

DTMH06-4SD

-D- KEY
TPA COLOR: BROWN

THIS DRAWING IS A CONTROLLED DOCUMENT.

DIMENSIONS:
mm [INCHES]



TOLERANCES UNLESS OTHERWISE SPECIFIED:

0 PLC	±
1 PLC	±
2 PLC	±
3 PLC	±0.025 [0.64]
4 PLC	±
ANGLES	±0°30'0"

MATERIAL



FINISH

-

DWN 5-17-13
JAIME C. APOSTOL

CHK 5-17-13
ROBERT MILLIGAN

APVD 5-17-13
ROBERT MILLIGAN

PRODUCT SPEC

-

APPLICATION SPEC

-

WEIGHT 5.86g

Customer Drawing



NAME
PLUG, 4 PIN CONTACT
SIZE 20, COLOR: BLACK
DTMH SERIES

SIZE	CAGE CODE	DRAWING NO	RESTRICTED TO
------	-----------	------------	---------------

A3	4AFU8	DTMH06-4SX	-
----	-------	------------	---

SCALE 2:1	SHEET 2 OF 2	REV B
-----------	--------------	-------