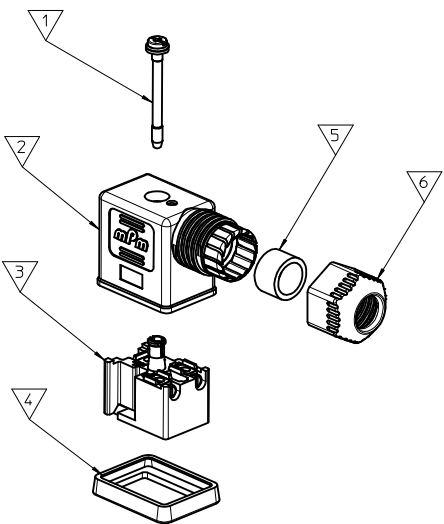
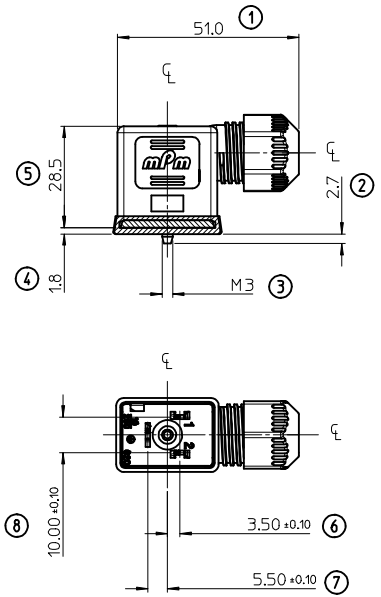
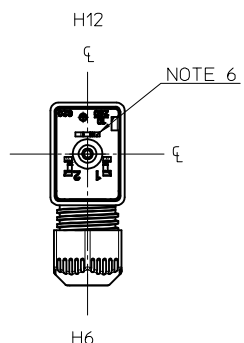


PART NO.	MPM NO.	DESCRIPTION
1212030001	C92200N0T	TYPE B ISO BLACK, NBR GASKET
1212030002	C92200N0U	TYPE B ISO BLACK, SILICONE GASKET
1212030003	C92200G0T	TYPE B ISO GRAY, NBR GASKET
1212030004	C92200G0U	TYPE B ISO GRAY, SILICONE GASKET
1212030005	C92200T0T	TYPE B ISO TRANSPARENT, NBR GASKET
1212030006	C92200T0U	TYPE B ISO TRANSPARENT, SILICONE GASKET
1212030007	C92200NOTCN	TYPE B ISO BLACK, NBR GASKET
1212030008	C92200W0TSA	TYPE B ISO BLACK UL V0, NBR GASKET
1212030009	C92200N2TSN	TYPE B ISO BLACK, NBR GASKET, H12, BULK
1212030010	C92200W0USA	TYPE B ISO BLACK UL V0, SILICONE GASKET
1212030011	C92200W0TNSA	TYPE B ISO BLACK UL V0, NBR GASKET BULK
1212030012	C92200W0UCNSA	TYPE B ISO BLACK UL V0, SILICONE GASKET BULK
1212030013	C92200W2RSNSA	TYPE B ISO BLACK UL V0, NBR GASKET BULK MOUNTED

ITEM	DESCRIPTION
1	31mm M3 SCREW WITH GASKET
2	TYPE B COVER
3	TYPE B ISO INSERT
4	TYPE B GASKET
5	GROMMET
6	EXTERNAL NUT



C92200NOR***



SERIES _____
 C92= EXTERNAL THREAD FORM B ISO
 POLES _____
 2= 2 POLE
 THREAD _____
 00 = EXTERNAL THREAD
 MATERIAL AND HOUSING COLOR _____
 G= PA6 GRAY, N= PA6 BLACK, W= PA6 BLACK V0, T= TRANSPARENT
 GROUND POSITION _____
 0= UNMOUNTED, 2= H12 & 6 =H6
 SCREW AND GASKET _____
 T= NBR PROFILE GASKET AND IP67 SCREW
 U= SILICON PROFILE GASKET AND IP67 SCREW
 NON STANDARD PACKAGING _____
 CN= BULK PACK UN-MOUNTED
 SN= BULK PACK MOUNTED
 ADDITIONAL CODES _____
 SA= UL AGENCY APPROVAL

NOTES:

- FOR SPECIFIC PART NUMBERS PLEASE CONTACT SALES OR CONSULT THE INTELLIGENT PART NUMBERS IN THE TABLE ATTACHED
- PACKAGING SPECIFICATION: PLEASE SEE PK-121201-001
- PRODUCT SPECIFICATION: PLEASE SEE PS-121201-001
- CABLE SIZES 4 - 9 mm DIAMETER
- TIGHTENING TORQUES: SEE PS-121201-001
- GROUND POSITION SHOWN H12

LAST INSPECTION NUMBER 8

CORRECTED ERROR EC NO: IPG2013-0509 DRWN:DSHEA 2012/10/10 CHKD:SMCGREEVY 2012/10/24 APPR:STGRIFLIN 2012/11/05 DESCRIPTION REV	QUALITY SYMBOLS ▽=0 ▽=4	GENERAL TOLERANCES (UNLESS SPECIFIED) <table border="1"> <thead> <tr> <th></th> <th>mm</th> <th>INCH</th> </tr> </thead> <tbody> <tr><td>4 PLACES</td><td>±---</td><td>±---</td></tr> <tr><td>3 PLACES</td><td>±---</td><td>±---</td></tr> <tr><td>2 PLACES</td><td>±0.10</td><td>±---</td></tr> <tr><td>1 PLACE</td><td>±0.20</td><td>±---</td></tr> </tbody> </table> ANGULAR ± 2° DRAFT WHERE APPLICABLE MUST REMAIN WITHIN DIMENSIONS		mm	INCH	4 PLACES	±---	±---	3 PLACES	±---	±---	2 PLACES	±0.10	±---	1 PLACE	±0.20	±---	DIMENSION STYLE MM ONLY	SCALE 1:1	DESIGN UNITS METRIC	THIRD ANGLE PROJECTION
		mm	INCH																		
	4 PLACES	±---	±---																		
	3 PLACES	±---	±---																		
2 PLACES	±0.10	±---																			
1 PLACE	±0.20	±---																			
DRAWN BY D MAHER CHECKED BY S MCGREEVY APPROVED BY EFOLAN	DATE 2009/3/24 2009/3/24 2010/05/06	TITLE EXTERNAL THREAD C92 SERIES 121203	MATERIAL NO. SEE TABLE	DOCUMENT NO. SD-121203-001	SHEET NO. 1 OF 1																
THIS DRAWING CONTAINS INFORMATION THAT IS PROPRIETARY TO MOLEX INCORPORATED AND SHOULD NOT BE USED WITHOUT WRITTEN PERMISSION																					
MOLEX INCORPORATED																					