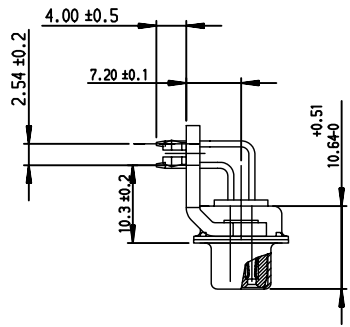
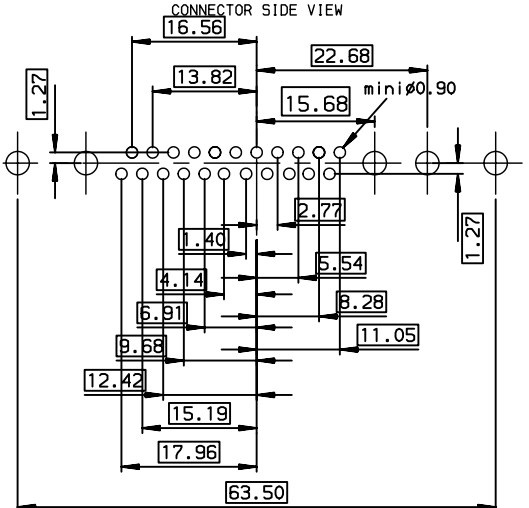
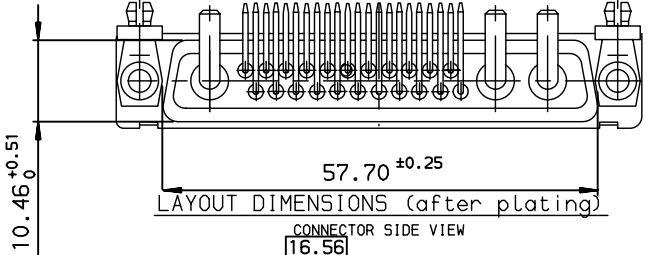
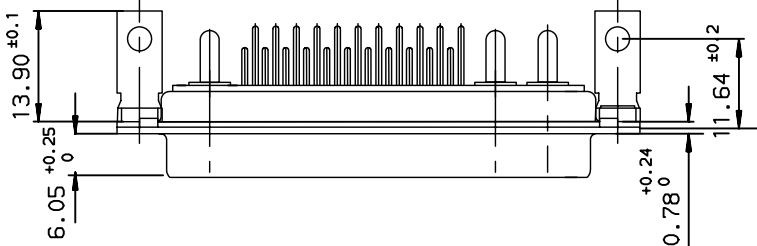
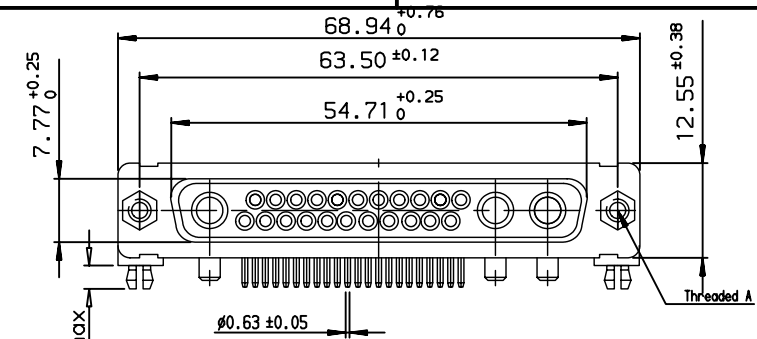
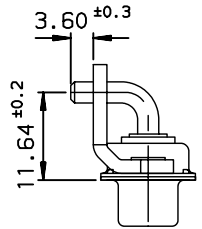


GENERAL CHARACTERISTICS : SEE DRAWING C01-8639-0000



VIEW WITHOUT POWERS CONTACTS



VIEW WITH POWERS CONTACTS

DC025W3S500G40	B
DCL25W3S500G40	M3
PART NUMBER	Threaded A

European Views

www.fciconnect.com		surface ISO 1302 ✓	tolerance std ISO 406 ISO 1101	projection mm
TOLERANCES UNLESS OTHERWISE SPECIFIED				
Dr	JARRY	2003/10/30	ANGULAR	0.X ±0.1
Eng	JARRY	2003/10/30	LINEAR	0.XX ±0.1
Chr	LEGARE	2003/10/30	0.XX' ±2'	0.XXX ±0.1
Appr	LEGARE	2003/10/30	Product family	SUB
			size	A3
			Scale	1.5
			ECN	LS07-0250
			Spec ref	-
			title	SOCKET CRS RIGHT ANGLED WITH POWERS CONTACTS
			dwg no	C01-8639-0596
			Rev.	C
			CUSTOMER	sheet 1 of 1

rev	ecn no	dr	date
B	-	CJA	2003/10/30
C	LS07-0250	MPE	2007/10/05
-	-	-	-
-	-	-	-
-	-	-	-
-	-	-	-

Copyright FCj