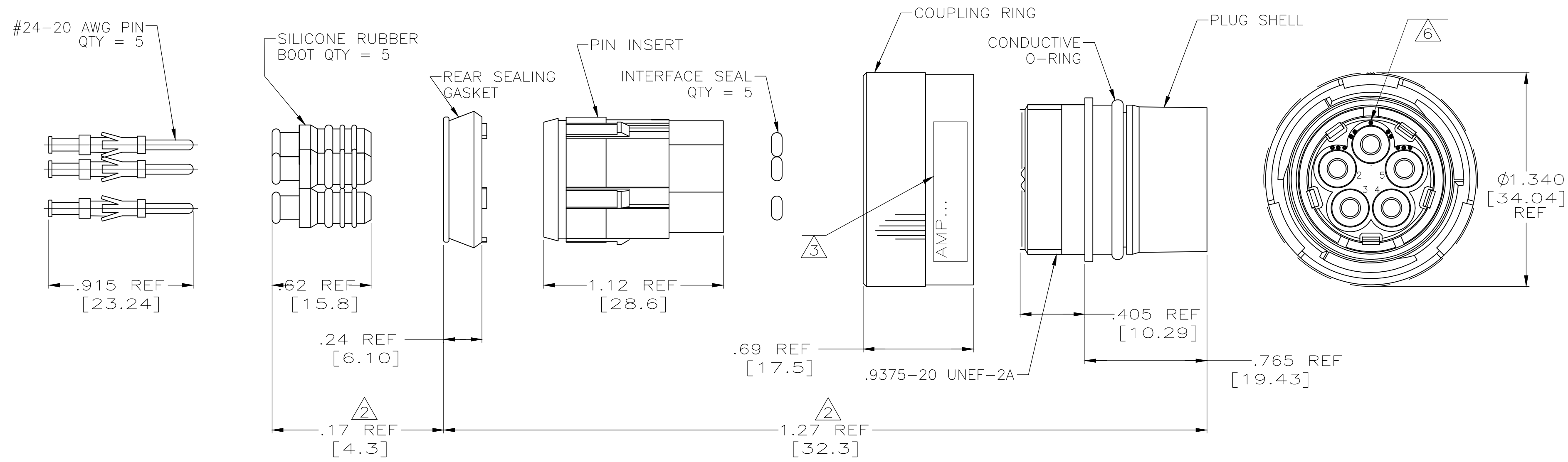


THIS DRAWING IS UNPUBLISHED. RELEASED FOR PUBLICATION
 © COPYRIGHT - By - ALL RIGHTS RESERVED.

LOC	DIST	REVISIONS					
DF	S0	P	LTR	DESCRIPTION	DATE	DWN	APVD
		K		REVISED PER ECO-14-009169	02JUL2014	MGM	CT



- THIS PLUG REQUIRES A SIZE 16 MIL-C-38999F BACKSHELL OR EQUIVALENT STRAIN RELIEF.
- THE INDICATED DIMENSIONS APPLY AFTER ASSEMBLY. COMPLETE OVERALL DIMENSIONS AFTER ASSEMBLY DEPEND UPON THE SPECIFIC BACKSHELL OR STRAIN RELIEF USED.
- MARKED PER MIL-STD-130, .060 [1.52] HIGH CHARS., WITH WHITE INK. SEE TABLE FOR SPECIAL MARKING.
-
- THE THREE OUTER COUPLING RING LATCHES ARE BONDED TO INNER HELIX RING WITH AN EPOXY BASE ADHESIVE.
- SINGLE DOT POLARIZATION SHOWN FOR REFERENCE ONLY.

OBSOLETE	(00779/AMP,864063-4)DATE CODE	49956-848285-6B REV M	864063-4
OBSOLETE	(00779/AMP,864063-3)DATE CODE	49956-848285-6A REV M	864063-3
OBSOLETE	(00779/AMP,864063-2)DATE CODE	49956-848285-6 REV M	864063-2
	(00779/AMP,864063-1)DATE CODE	-	864063-1
AMP INFO		CUSTOMER INFO	PART NO.
MARKING			3

THIS DRAWING IS A CONTROLLED DOCUMENT.		DWN	11-19-96	TE Connectivity	
DIMENSIONS: INCHES		CHK	C.C.THOMAS 11-26-96	PLUG KIT,5 POSN.,LGH	
TOLERANCES UNLESS OTHERWISE SPECIFIED:		APVD	-	-	
0 PLC ± -		PRODUCT SPEC	-	-	
1 PLC ± -		APPLICATION SPEC	-	-	
2 PLC ± -		WEIGHT	-	-	
3 PLC ± -		CUSTOMER DRAWING	-	-	
4 PLC ± -		SCALE	2:1	SHEET 1 OF 1	
ANGLES ± -		REV	K	-	
FINISH		-			