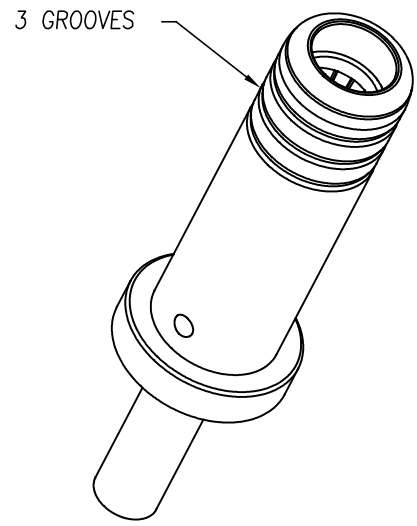
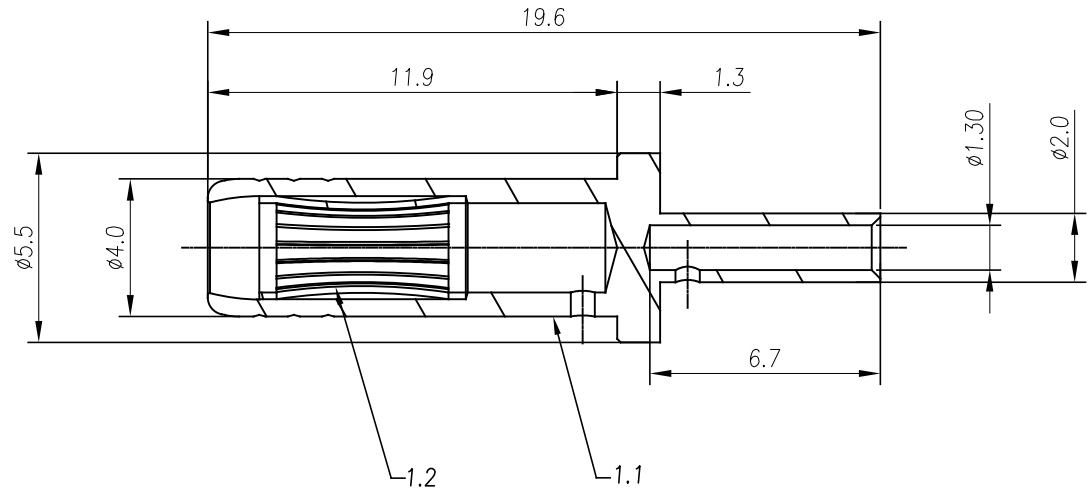


REVISIONS					
REV	ECO	DESCRIPTION	DATE	BY	APPR
A1	-	RELEASED DRAWING	APR-16-2020	BLINK	TOMMY



- NOTES: (UNLESS OTHERWISE SPECIFIED)
- MATERIAL:
    - CONTACT BODY: COPPER ALLOY, SILVER PLATED.
    - CROWN SRPRING CONTACT: COPPER ALLOY, GOLD FLASH.
  - SPECIFICATIONS:
    - CURRENT RATING: 12A(MAX).
    - TERMINATION TYPE: CRIMPING.
    - WIRE RANGE: 18~20AWG .
  - SUITABLE SOCKET TYPE: SC000611&SC000565.
  - RoHS COMPLIANT.
  - ALL DIMENSIONS ARE FOR REFERENCE USE ONLY.

TITLE: 2.4MM FEMALE SURESOCKET™  
 DWG NO: SC000706  
 REV: A1  
 SH: 1  
 OF: 1

QUANTITY	PART NUMBER	DESCRIPTION	ITEM
<b>MATERIALS LIST</b>			
<small>UNLESS OTHERWISE SPECIFIED</small> 1) All dimensions are in metric(mm). 2) Tolerances are as follows: 1 PL DEC ±0.30    Fractions ±1/64 2 PL DEC ±0.15    Angles ±1° 3 PL DEC ±0.08 3) Note reference =		<b>Amphenol</b> Sine Systems - www.amphenol-sine.com 44724 Morley Drive Clinton Township, MI 48036	
<small>SIGNATURES</small> DRAWN: BLINK    APR-15-2020 CHECKED: ORION    APR-17-2020 APPROVAL: TOMMY    APR-20-2020		<b>2.4MM, FEMALE SURESOCKET™</b> <b>MACHINED SOCKET, 18-20AWG</b>	
<small>MATERIAL SPECIFICATIONS:</small> <small>PROCESS SPECIFICATIONS:</small> <small>NEXT ASSY:</small>		<small>CUSTOMER:</small> <small>THIS DRAWING IS SUPPLIED FOR INFORMATION ONLY. DESIGN FEATURES, SPECIFICATIONS AND PERFORMANCE DATA SHOWN HEREON ARE THE PROPERTY OF THE AMPHENOL CORPORATION. NO RIGHTS OF REPRODUCTION ARE IMPLIED. ALL DIMENSIONS ARE SUBJECT TO NORMAL MANUFACTURING VARIATIONS.</small>	
<small>SIZE</small> B <small>TYPE</small> C- <small>SCALE</small> NONE		<small>DWG NO:</small> SC000706 <small>REVISION</small> A1 <small>SHEET</small> 1 <small>OF</small> 1	