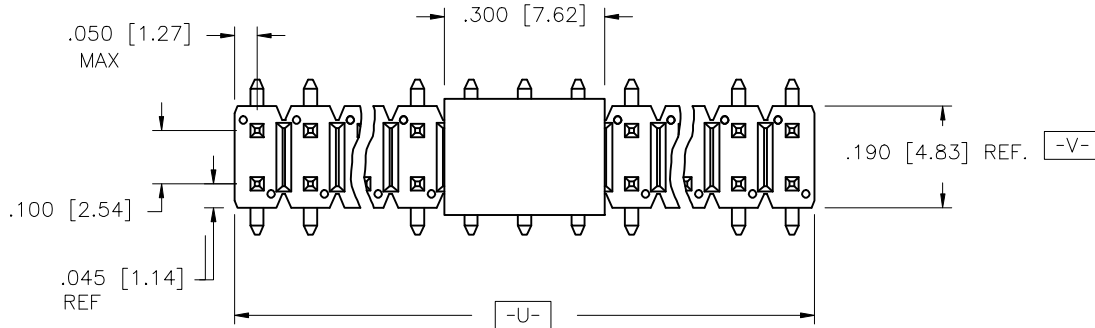


PRODUCT NO.
XXXXX-YYYHPZLF

- LEAD FREE OPTION (SEE NOTE 1,8)
- PACKAGING OPTIONS (SEE NOTE 1)
- HIGH TEMPERATURE PLASTIC (SEE NOTE 1)
- NO. OF POSITIONS (SEE NOTE 1)
- PLATING NUMBER (SEE SHEET 2)
- BASE PART NUMBER (SEE SHEET 4)



□.025±.001 [0.64±0.03]
TYP

⊕ ∅.020 [0.51] Ⓜ U Ⓜ V
NOTE 4

MATING LENGTH
DIM H ± .008 [0.20]

HEIGHT ABOVE BOARD

∠.004 [0.10]

PICK-UP CAP
(IF REQ'D)

.100 [2.54]
TYP

NOTE 6
.100 [2.54]
REF

.217 [5.51]

.305 [7.75] MAX.
OVERALL WIDTH

mat'l. code SEE NOTES 2 & 3				surface ISO 1302	tolerance ISO 406 ISO 1101	projection INCH/MM	product family BERGSTIK
ltr	ecn no	dr	date	tolerances unless otherwise specified		INCH/MM	title BERGSTIK® II HDR. D/R .100/2.54cc VERT. SMT
AF	v20565	GIP	3/22/02	angles	.XX±.01/XX±0.3		
AG	v20849	GIP	7/18/02	linear	.XXX±.006/XXX±0.13	scale 1:1	dwg no 78227 sheet 1 of 4 size A3
AH	M04-0234	MHT	12/19/04	0°±2'	.XXX±.0020/XXX±0.051	type Product Customer Drawing	
AJ	M05-0072	MHT	5/03/05	dr	T. BREWBAKER 12/29/92	FCJ	
AK	M06-0269	MNR	7/17/06	engr	T. HANNA 12/29/92		
AL	M06-0356	MHT	9/08/06	chr	T. HANNA 12/29/92		
AM	M08-0291	MHT	10/08/08	appd	T. HANNA 12/29/92		
sheet	revision	AM	AM	AM	AM		
index	sheet	1	2	3	4		

PIN PLATING CODES:	
XXXX-1YY	30u"/0.76u MIN (SEE NOTE 9) OVER 50u"/1.27u MIN Ni
XXXX-2YY	15u"/0.38u MIN (SEE NOTE 9) OVER 50u"/1.27u MIN Ni
XXXX-3YY	50u"/1.27u MIN Au OVER 50u"/1.27u MIN Ni
XXXX-4YY	100u"/2.54u MIN Sn OVER 50u"/1.27u MIN Ni (SEE NOTE 10)
XXXX-4YYHLF	
XXXX-5YY	15u"/0.38u MIN (SEE NOTE 9) OVER 50u"/1.27u MIN Ni
XXXX-6YY	30u"/0.76u MIN (SEE NOTE 9) OVER 50u"/1.27u MIN Ni
XXXX-7YY	30u"/0.76u MIN Au OVER 50u"/1.27u MIN Ni
XXXX-8YY	15u"/0.38u MIN Au OVER 50u"/1.27u MIN Ni
XXXX-9YY	15u"/0.38u MIN GXT OVER 50u"/1.27u MIN Ni
XXXX-0YY	30u"/0.76u MIN GXT OVER 50u"/1.27u MIN Ni

NOTES

1. PART NUMBER OPTIONS:

PIN PLATING CODES (SEE ABOVE)

HIGH TEMP. MATERIAL:

FOR HIGH TEMPERATURE APPLICATIONS, SPECIFY AN "H" AT THE END OF THE PART NUMBER TO INDICATE HIGH-TEMP PLASTIC IS SUPPLIED.

NUMBER OF POSITION:

NUMBER OF POSITIONS FROM 4(2X2) THRU 40(2X20), EXCEPT TAPE ON REEL AVAILABLE 4(2X2) THRU 34(2X17).

PACKAGING:

CHECK SPECIFIC PART NUMBERS FOR AVAILABILITY.

PART NUMBERS WITHOUT A SUFFIX ARE PACKAGED IN POLY BAGS.

PART NUMBERS FOLLOWED BY A "T" SUFFIX ARE PACKAGED IN TUBES.

PART NUMBERS FOLLOWED BY A "V" SUFFIX ARE PACKAGED

TAPE-ON-REEL WITH A PICK-UP CAP INSTALLED. THE "Z" DIGIT FOLLOWING THE "V" INDICATES CUSTOMER SPECIAL TAPE.

LEAD FREE:

ADD "HLF" SUFFIX AT THE END OF PART NUMBER FOR LEAD FREE OPTION, NOT AVAILABLE FOR -5YY, -5YYH, -6YY & -6YYH.

2. BODY MATERIAL:

PCT, GLASS FIBER REINFORCED, FLAME RETARDENT PER UL-94V-0.

COLOR: BLACK. OR

MINERAL FILLED LCP FLAME RETARDENT PER UL-94V-0.

COLOR BLACK

PART NUMBERS WITH "H" SUFFIX WILL WITHSTAND EXPOSURE TO 260° C PEAK TEMPERATURE FOR 20 SECONDS IN WAVE SOLDER, INFRA-RED OR VAPOR PHASE SOLDER PROCESS.

PART NUMBERS WITHOUT "H" SUFFIX WILL WITHSTAND EXPOSURE TO 260° C PEAK TEMPERATURE FOR WAVE SOLDER PROCESS.

3. PIN MATERIAL: PHOS-BRONZE.

4. MEASURED WITH PART IN RESTRAINED CONDICTION.

5. TWO SIDES OF PIN TIPS NOT PLATED TYPICAL BOTH ENDS.

6. 2LBS/0.9KG MIN PIN RETENTION IN EITHER DIRECTION.

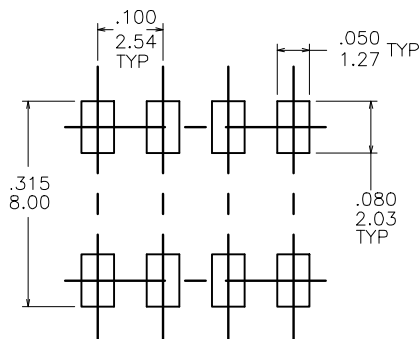
7. CONTACT MARKETING BEFORE ORDERING ANY ODD POSITION PART NUMBER SUCH AS 2X3, 2X5, 2X7, ETC PACKAGED TAPE-ON-REEL.

8. THESE PRODUCTS MEETS EUROPEAN UNION DIRECTIVES AND OTHER COUNTRY REGULATION AS DESCRIBED IN GS-22-008.

9. PLATING OPTIONS:

MAY BE EITHER GOLD OR GXT PLATED AT MANUFACTURER'S OPTION.

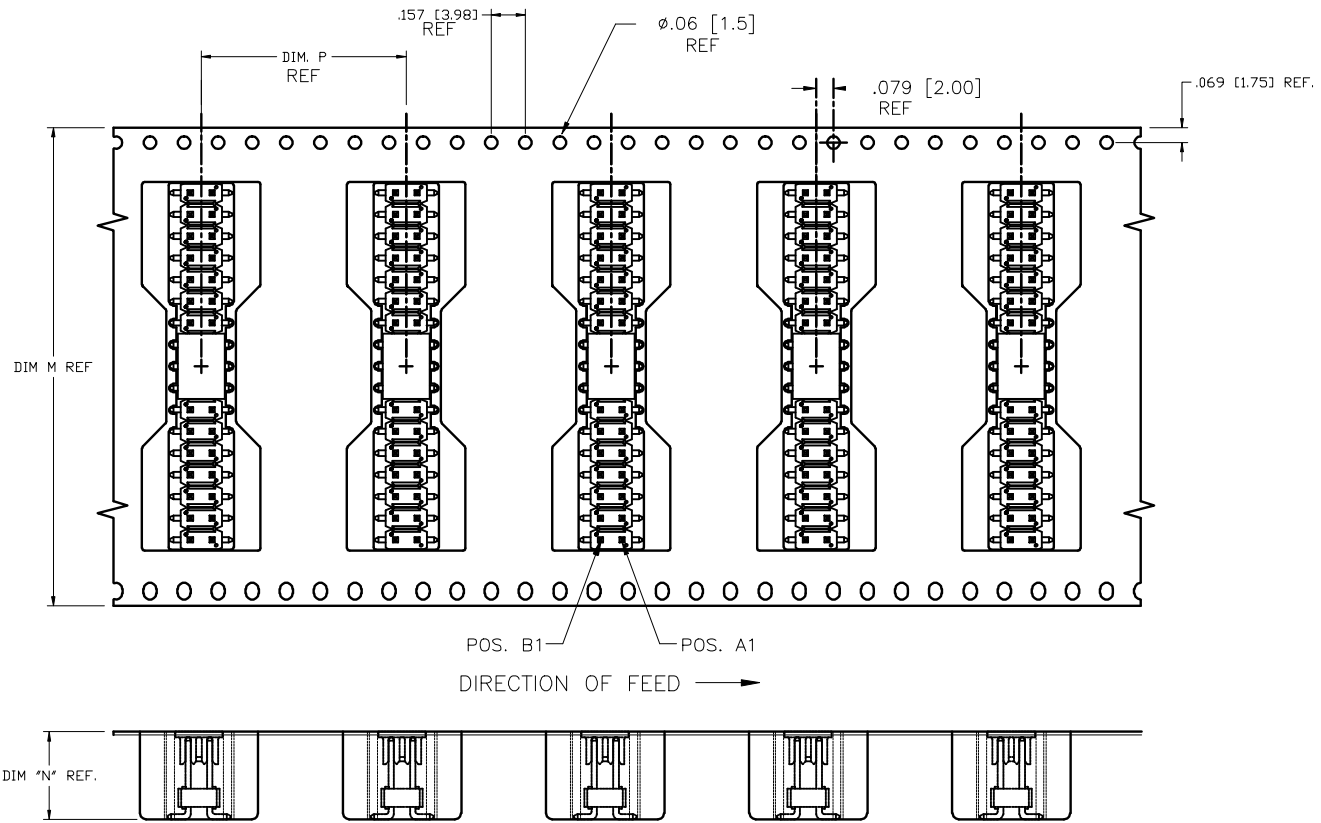
10. THIS PRODUCT HAS 100% TIN PLATING IN THE INTERFACE AND HAS NOT BEEN TESTED FOR WHISKER GROWTH IN ALL INTERCONNECT ENVIRONMENTS."



RECOMMENDED PAD LAYOUT
SCALE 4/1

mat'l. code SEE NOTES 2 & 3		surface ISO 1302	tolerance ISO 406 ISO 1101	projection	product family BERGSTIK
ltr	ecn no	dr	date	tolerances unless otherwise specified	title
AM				angles linear 0°±2'	BERGSTIK® II HDR. D/R .100/2.54cc VERT. SMT
				linear XXX±.01/XX±0.3 XXX±.006/XX±0.13 XXX±.0020/XXX±0.051	scale 1:1
		dr	T. BREWBAKER	12/29/92	dwg no
		engr	T. HANNA	12/29/92	sheet 2 of 4 size
		chr	T. HANNA	12/29/92	78227
		appd	T. HANNA	12/29/92	A3
sheet	revision				type Product Customer Drawing
index	sheet				

PRODUCT NUMBER
SEE TABLE



Copyright FCI

mat'l. code SEE NOTES 2 & 3		surface ISO 1302	tolerance ISO 406 ISO 1101	projection 	product family BERGSTIK
ltr	ecn no	dr	date	tolerances unless otherwise specified	title BERGSTIK® II HDR. D/R .100/2.54cc VERT. SMT
AM				linear XX±.01/XX±0.3 XXX±.006/XX±0.13 XXXX±.0020/XXX±0.051	INCH/MM scale 1:1
				angles 0°±2'	dwg no 78227
				dr T. BREWBAKER 12/29/92	sheet 3 of 4 size A3
				engr T. HANNA 12/29/92	type Product Customer Drawing
				chr T. HANNA 12/29/92	
				appd T. HANNA 12/29/92	
sheet index	revision sheet				

form A3

PRODUCT NUMBER	MATING LENGTH		HT. ABOVE BOARD		PACKAGING AVAILABLE	TAPE WIDTH OVERALL		POCKET DEPTH OVERALL		POCKET PITCH		LF OPTION	
	ENGLISH	METRIC	ENGLISH	METRIC		ENGLISH	METRIC	ENGLISH	METRIC	ENGLISH	METRIC		
	DIM H	DIM H	----	----		DIM M	DIM M	DIM N	DIM N	DIM P	DIM P		
73502-YYYH	0.420	10.67	0.150	3.81	POLY BAGS	N/A	N/A	N/A	N/A	N/A	N/A	NOTE 1,8	
74938-YYYH	0.330	5.84	0.150	3.81	POLY BAGS	N/A	N/A	N/A	N/A	N/A	N/A		
78227-YYY	0.230	5.84	0.125	3.18	POLY BAGS / TUBES	N/A	N/A	N/A	N/A	N/A	N/A		
78227-410HV2	0.230	5.84	0.125	3.18	TAPE-ON-REEL	0.945	24.00	0.415	10.54	0.787	20.00		
78588-YYY	0.318	8.08	0.125	3.18	POLY BAGS	N/A	N/A	N/A	N/A	N/A	N/A		
79682-YYY	0.505	12.83	0.125	3.18	POLY BAGS	N/A	N/A	N/A	N/A	N/A	N/A		
79683-YYY	0.700	17.78	0.125	3.18	POLY BAGS	N/A	N/A	N/A	N/A	N/A	N/A		
93988-YYYH					U N A V A I L A B L E								
94623-YYYH	0.350	8.89	0.125	3.18	POLY BAGS	N/A	N/A	N/A	N/A	N/A	N/A		
95086-YYYH	0.183	4.65	0.125	3.18	POLY BAGS	N/A	N/A	N/A	N/A	N/A	N/A		
98330-YYYH	0.290	7.37	0.150	3.81	POLY BAGS	N/A	N/A	N/A	N/A	N/A	N/A		
98354-YYYH	0.219	5.56	0.125	3.18	POLY BAGS	N/A	N/A	N/A	N/A	N/A	N/A		
78227-406HV2	0.230	5.84	.125	3.18	TAPE ON REEL	.945	24.00	.415	10.54	.787	20.00		NOTE 1,8



Copyright FCJ

mat'l. code SEE NOTES 2 & 3				surface ISO 1302	tolerance ISO 406 ISO 1101	projection 	product family BERGSTIK
ltr	ec'n no	dr	date	tolerances unless otherwise specified			title BERGSTIK® II HDR. D/R .100/2.54cc VERT. SMT
AM				linear	.XX±.01/XX±0.3 .XXX±.006/XX±0.13 .XXX±.0020/XXX±0.051		
				angles	0°±2'	scale 1:1	dwg no 78227
				dr	T. BREWBAKER 12/29/92		sheet 4 of 4 size A3
				engr	T. HANNA 12/29/92		type Product Customer Drawing
				chr	T. HANNA 12/29/92		
				appd	T. HANNA 12/29/92		
sheet index	revision sheet						