



The Future of Analog IC Technology®

# EV3908+8002+6901-00A

IEEE 802.3at PoE Powered Device (PD) EV Board

## DESCRIPTION

EV3908+8002+6901-00A is designed as the Power over Ethernet (PoE) Powered Device (PD) module. An RJ-45 connector is provided to connect directly to an Ethernet cable having a Power Sourcing Equipment (PSE) driving it on the other end. It also accepts power applied using a stand-alone power supply.

According to the IEEE 802.3at specification, the PD module must provide the circuitry needed to be detected by the PSE as it polls the Ethernet links. The IEEE 802.3at specification also allows the option for the PD to provide classification as to the amount of power needed by the PD Module. EV3908+8002+6901-00A with the MP8002DN provides all the necessary hardware to provide detection and classification together with programmable inrush current limit, power good indicator, thermal protection and current limit. An external 30W Flyback converter is connected as the PWM part of the PD, which is controller by the PWM controller MP3908DK with soft-start, slope compensation and peak current limiting. MP6901DS is used for synchronous rectification on secondary side to boost the whole efficiency of the system.

## FEATURES

- Meets IEEE 802.3at Specifications
- 100V, 0.8Ω Integrate DMOS Device in MP8002DN
- 800mA, Temperature Compensated Current Limit
- Open Drain Power Good Output
- Synchronous Rectification with MP6901
- Current Mode Control
- Soft-Start
- 250kHz Constant Frequency Operation

## APPLICATIONS

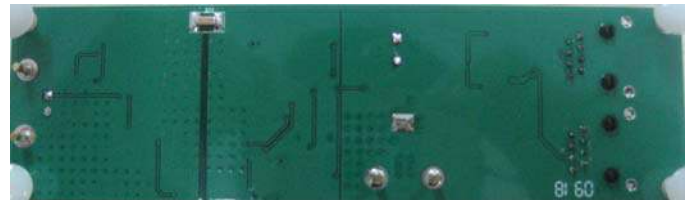
- VoIP Telephones
- Network Cards
- Security Camera Systems
- Safety Backup Power
- Remote Internet Power

## ELECTRICAL SPECIFICATIONS

Parameter	Symbol	Value	Units
Input Voltage	V <sub>IN</sub>	40 – 57	V
Output Voltage	V <sub>OUT</sub>	5	V
Output Current	I <sub>OUT</sub>	0-6	A

"MPS" and "The Future of Analog IC Technology" are Registered Trademarks of Monolithic Power Systems, Inc.

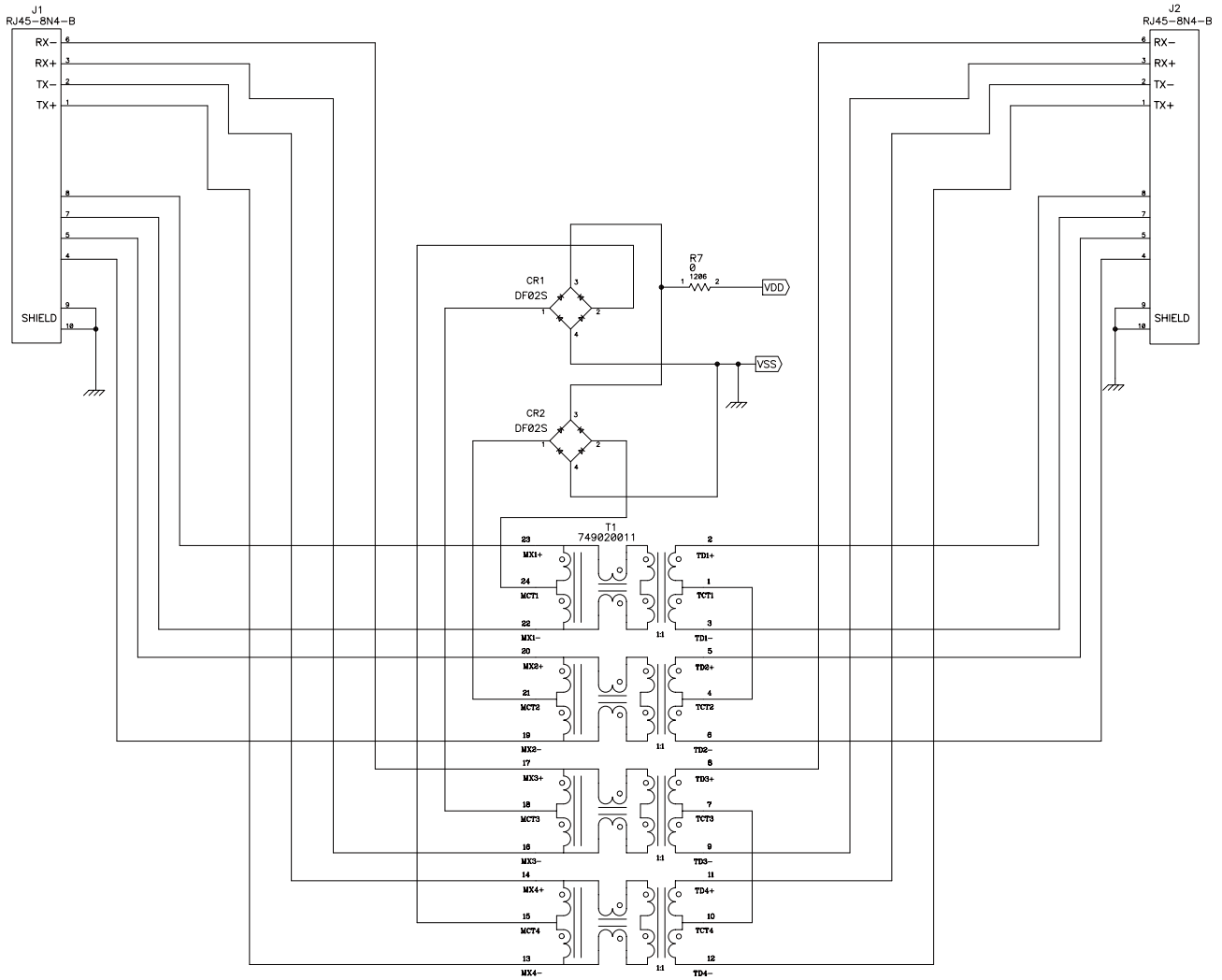
## EV3908+8002+6901-00A EVALUATION BOARD

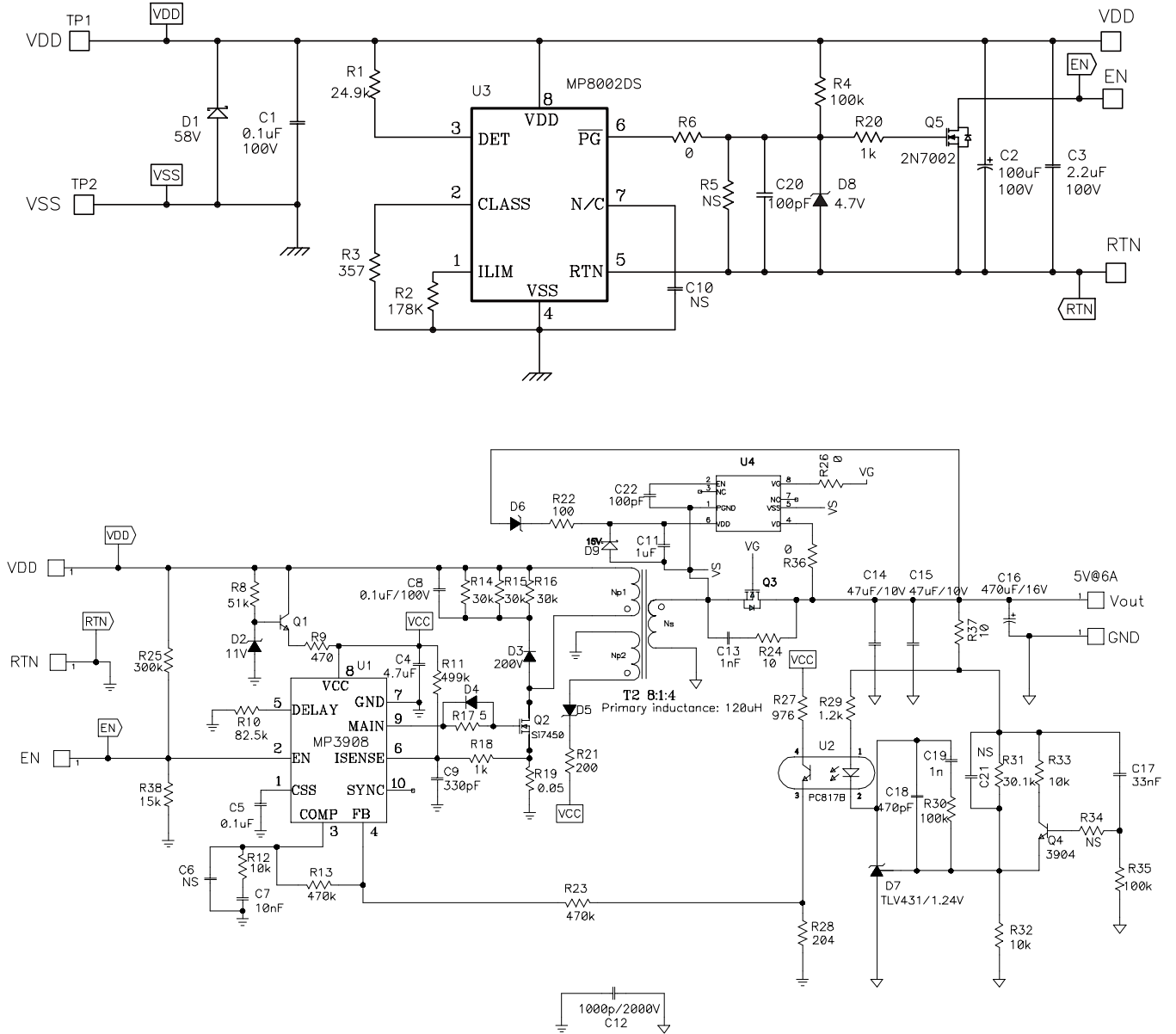


(L x W x H) 5.4" x 1.7" x 0.8"  
(13.8cm x 4.3cm x 2.0cm)

Board Number	MPS IC Number
EV3908+8002+6901-00A	MP3908DK, MP8002DN, MP6901DS

## EVALUATION BOARD SCHEMATIC





**EV3908+8002+6901-00A BILL OF MATERIALS**

Qty	Ref	Value	Description	Package	Manufacturer	Manufacturer P/N
1	C1	0.1uF	Ceramic Cap. 100V X7R	1206	muRata	GRM319R72A104KA01 L
1	C2	100uF	100V Electrolytic	DIP	JiangHai	CD287-100V100
1	C3	2.2uF	Ceramic Cap. 100V X7R	1210	muRata	GRM32ER72A224KA3 5L
1	C4	4.7uF	Ceramic Cap. 25V X7R	1206	TDK	C3216X7R1E475K
1	C5	0.1uF	Ceramic Cap. 50V X7R	0603	TDK	C1608X7R1H104K
3	C6,C10, C21	NS				
1	C7	10nF	Ceramic Cap. 50V X7R	0603	TDK	C1608X7R1H103K
1	C8	0.1uF	Ceramic Cap. 100V X7R	0805	TDK	C2012X7R2A104K
1	C9	330pF	Ceramic Cap. 50V X7R	0603	TDK	C1608X7R1H331K
1	C11	1uF	Ceramic Cap. 25V X7R	1206	muRata	GRM31MR71E105KA0 1
1	C12	1nF	Ceramic Cap. 2000V X7R	1812	TDK	C4520X7R3D102K
2	C13,C19	1nF	Ceramic Cap. 50V X7R	0603	TDK	C1608X7R1H102K
2	C14,C15	47uF	Ceramic Cap. 10V X5R	1210	TDK	C3225X5R1C475K
1	C16	470uF	16V Electrolytic	DIP	Rubycon	470uF/16V
1	C17	33nF	Ceramic Cap. 50V X7R	0603	TDK	C1608X7R1H333K
1	C18	470pF	Ceramic Cap. 50V X7R	0603	TDK	C1608X7R1H471K
2	C20,C22	100pF	Ceramic Cap. 50V COG	0603	muRata	GRM1885C1H101JA01 D
1	R1	24.9k	Film Resistor 1%	0603	Yageo	RC0603FR-0724K9L
1	R2	178k	Film Resistor 1%	0603	Yageo	RC0603FR-07178KL
1	R3	357	Film Resistor 1%	1206	Yageo	RC1206FR-07357RL
2	R5,R34	NS				
3	R4,R30, R35	100k	Film Resistor 5%	0603	Yageo	RC0603JR-07100KL
4	R6,R7,R 26,R36	0	Film Resistor 5%	1206	Yageo	RC1206JR-070RL
1	R8	51k	Film Resistor 5%	0603	Yageo	RC0603JR-0751KL
1	R9	470	Film Resistor 5%	0603	Yageo	RC0603JR-07470RL
1	R10	82.5k	Film Resistor 1%	0603	Yageo	RC0603FR-0782K5L
1	R11	499k	Film Resistor 1%	0603	Yageo	RC0603FR-07499KL
3	R12,R32, R33	10k	Film Resistor 1%	0603	Yageo	RC0603FR-0710KL
3	R14,R15, R16	30k	Film Resistor 5%	0805	Yageo	RC0805JR-0730KL
1	R17	5.1	Film Resistor 5%	0603	Yageo	RC0603JR-075R1L
3	R18,R20, R29	1k	Film Resistor 5%	0603	Yageo	RC0603JR-071KL
1	R19	50mΩ	Strip Resistor 1%	1206	CYNTEC	RL1632H-R050-FN
1	R21	200	Film Resistor 5%	0603	Yageo	RC0603JR-07200RL
1	R22	100	Film Resistor 5%	0603	Yageo	RC0603JR-07100RL
2	R13,R23	470k	Film Resistor 5%	0603	Yageo	RC0603JR-07470KL

**EV3908+8002+6901-00A BILL OF MATERIALS (continued)**

Qty	Ref	Value	Description	Package	Manufacturer	Manufacturer P/N
1	R24	10	Film Resistor 5%	0805	Yageo	RC0805JR-0710RL
1	R25	300k	Film Resistor 5%	0603	Yageo	RC0603JR-07300KL
1	R27	976	Film Resistor 1%	0603	Yageo	RC0603FR-07976RL
1	R28	205	Film Resistor 1%	0603	Yageo	RC0603FR-07204RL
1	R31	30.1k	Film Resistor 1%	0603	Yageo	RC0603FR-0730K1L
1	R37	10	Film Resistor 5%	0603	Yageo	RC0805JR-0710RL
1	R38	15k	Film Resistor 5%	0603	Yageo	RC0603JR-0715KL
1	D1	58V	DIODE ZENER 58V	SMA	Diodes Inc	SMAJ58A
1	D2	10V	DIODE ZENER 10V	SOD-123	Diodes Inc	BZT52C10
1	D3	BAV21	Switching Diode 200V 200mW	SOD-123	Diodes Inc	BAV21W-7-F
3	D4,D5, D6	1N4148	Switching Diode 75V 250mW	SOD323	Diodes Inc	1N4148WS-7
1	D7	TLV431A	REG VLT ADJ 1.24V	SOT-23- 5	Zetex Inc	TLV431A
1	D8	4.7V	DIODE ZENER 4.7V	SOD-123	Diodes Inc	BZT52C4V7
1	D9	15V	DIODE ZENER 15V	SOD-123	Diodes Inc	BZT52C15
2	Q1,Q4	NPN	Transistor NPN 40V 350mA	SOT-23	Fairchild	MMBT3904FSCT
1	Q2	MOSFET	N-CH 200V 3.9A	POWER PAK SO- 8	Vishay Siliconix	Si7450
1	Q3	MOSFET	N-CH 40V 14A	SO-8	Vishay Siliconix	Si4840
1	Q5	MOSFET	N-CH 60V	SOT-23		2N7002
2	CR1,C R2	DF02S	1.0A Surface Mount Glass Passivated Bridge Rectifier	SDIP-4	Diodes Inc	DF02S
1	U1	MP3908 DK	BOOST	MSOP10	MPS	MP3908DK
1	U2	PC817B	PHOTOCOUP	SMD	SHARP	PC817B
1	U3	MP8002 DN	IEEE 802.3af Powered Device Controller	SO-8	MPS	MP8002DN
1	U4	MP6901 DS	Rectifier Controller	SO-8	MPS	MP6901DS
1	T1		LAN-TRANSFORMER WE-LAN	SMD	WURTH	749020011
1	T2		POWER STAGE TRANSFORMER	SMD	Cooper	CTX01-18290
2	J1,J2	RJ45- 8N4-B	RJ Jack / Signal Line EMI/RFI Filters 6 TRMN BRD/CBLE GRND 8 PIN BLOCK INDUCTOR	RJ45- TAB DOWN	Würth Elektronik	WE-615008137121

## PRINTED CIRCUIT BOARD LAYOUT

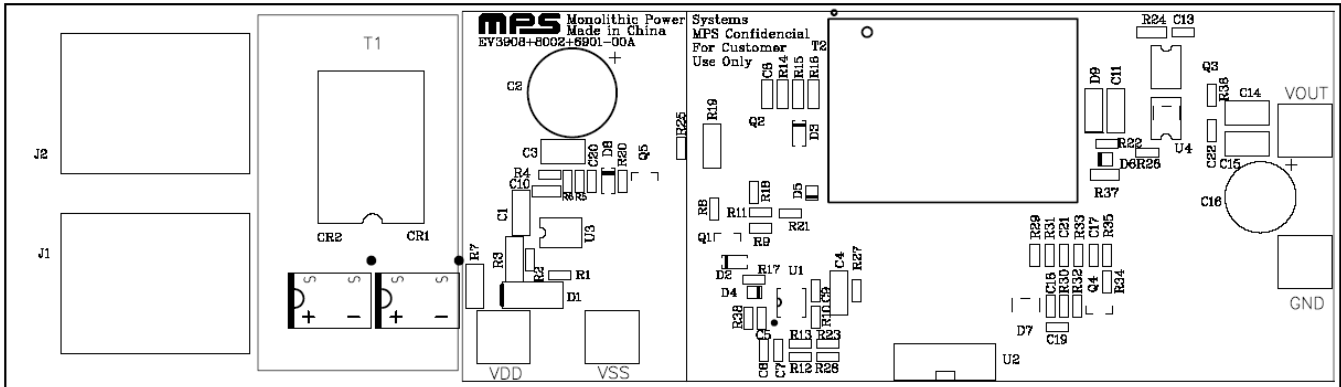


Figure 1—Top Silk Layer

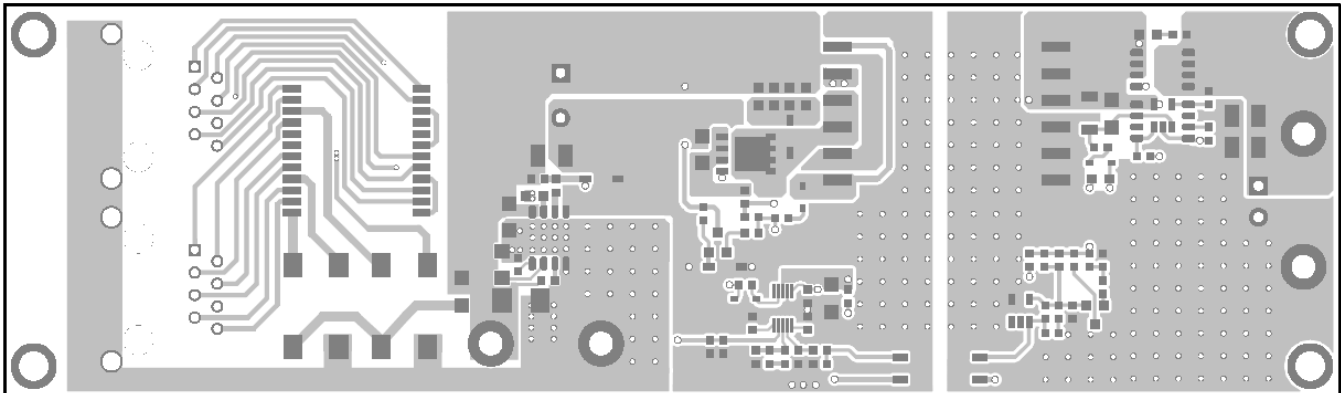


Figure 2—Top Layer

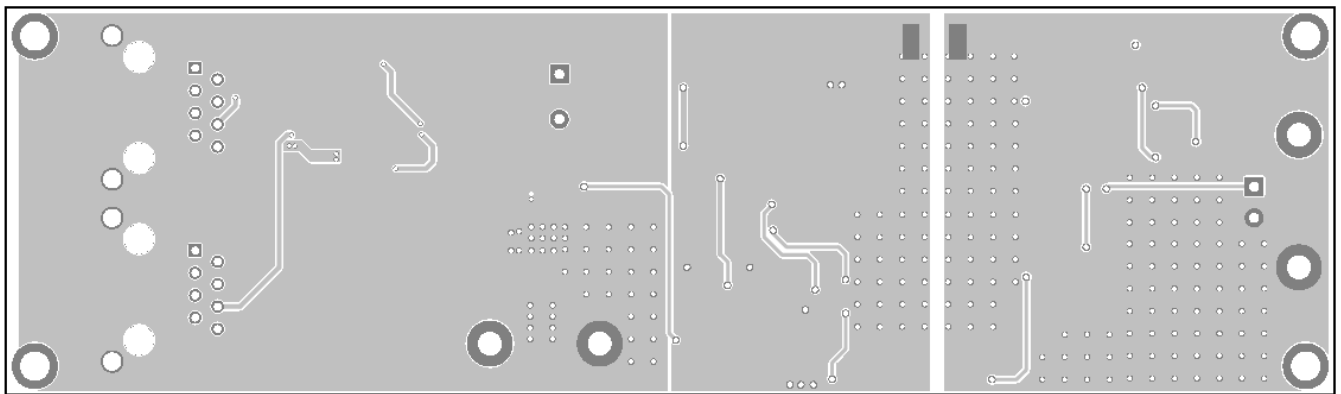


Figure 3—Bottom Layer

## QUICK START GUIDE

1. Connect the load between VOUT (positive) and GND (negative) terminals.
2. Plug the cable coming from the PSE, carrying the input voltage for the PD, into the Ethernet Jack J1. The board will automatically startup.
3. External DC supply can also be used. Preset the power supply output to 40V – 57V and turn off the power supply. Connect the positive terminal of the power supply output to the VDD pin and the negative terminal of the power supply output to the VSS pin. Turn the power supply on. The board will automatically startup.

**NOTICE:** The information in this document is subject to change without notice. Users should warrant and guarantee that third party Intellectual Property rights are not infringed upon when integrating MPS products into any application. MPS will not assume any legal responsibility for any said applications.