

MATERIALS AND FINISHES

BODY, CAP BRASS  
PLATED NICKEL

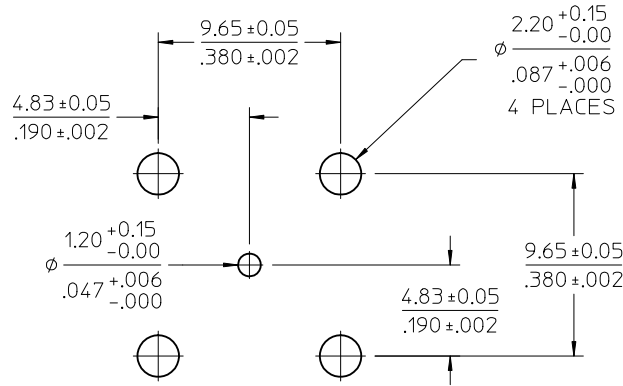
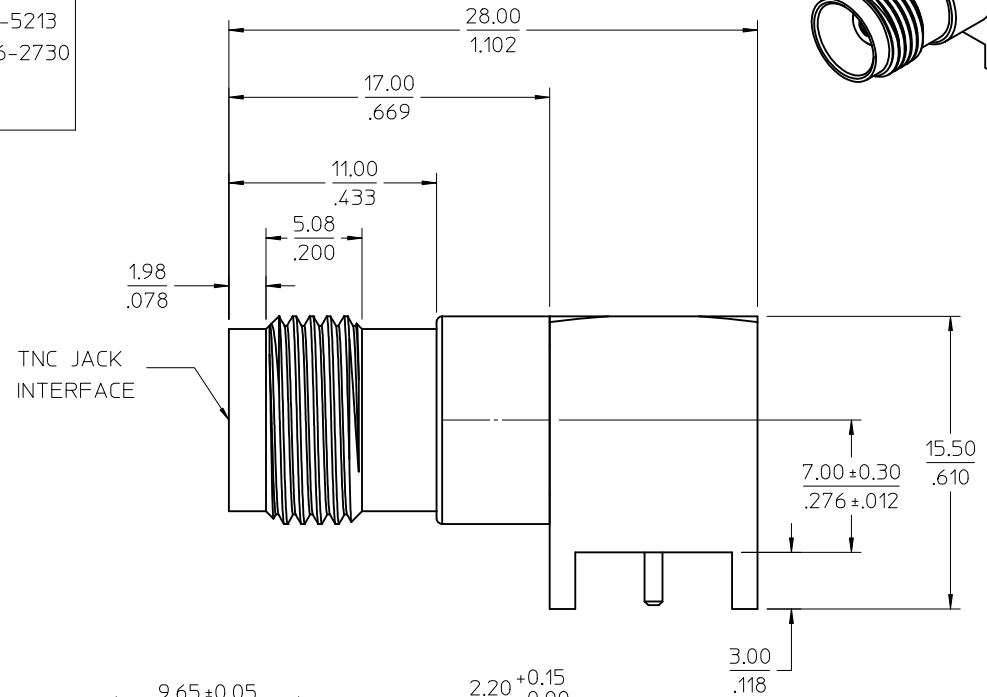
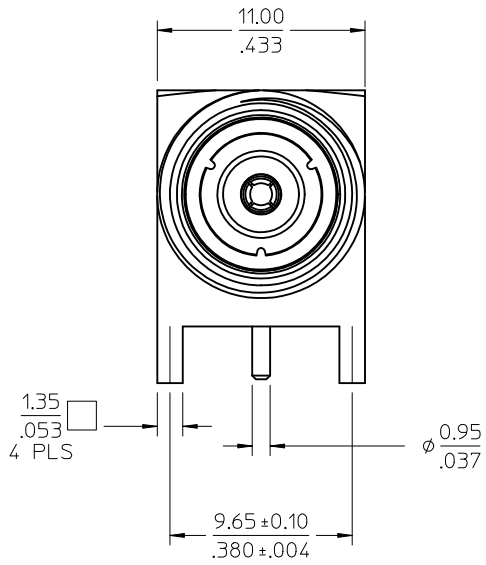
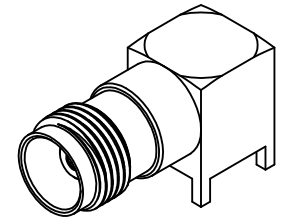
CENTER CONTACT PHOSPHOR BRONZE  
PLATED GOLD

REAR CONTACT BRASS  
PLATED GOLD

INSULATOR TEFLON

LABEL FORMAT FOR  
73216-2730

PART NUMBER: 73204-5213  
ORDER NUMBER: 73216-2730  
MOLEX  
DATE: YYWW



RECOMMENDED PCB LAYOUT

ORIGINAL DRAWN BY: IRIS WANG 1991/12/17

73216-2730	SINGLE BAG
73204-5213	TRAY OR BULK
PART NO.	PACKAGING

PS-89675-140	PRODUCT SPECIFICATION
MIL-STD-348A, FIG. 313.2	INTERFACE
SPECIFICATION	DESCRIPTION

CHG: ADD LABEL FORMAT	EC NO: URF2012-0380 2012/01/04 DRWN: BOMALLEY 2012/01/04 CHKD: AZR 2012/01/04 APPR: WIENER 2012/01/04	QUALITY SYMBOLS ▽=0 ▽=0	GENERAL TOLERANCES (UNLESS SPECIFIED)		DIMENSION STYLE	SCALE	DESIGN UNITS	THIRD ANGLE PROJECTION
			mm	INCH	MM/IN	METRIC		
H2	DESCRIPTION	REV	4 PLACES ± --- ± ---		DRAWN BY	DATE	TITLE	
			3 PLACES ± --- ± ---		SSH AH	2011/04/25	TNC JACK RA PCB 50 OHMS RECEPTACLE EWR-4692 TNC-J/RA/PCB	
DRAFT WHERE APPLICABLE MUST REMAIN WITHIN DIMENSIONS			2 PLACES ± --- ± ---		CHECKED BY	DATE	MOLEX INCORPORATED	
ANGULAR ± 2 °			1 PLACE ± --- ± ---		DENG	1991/12/17	DOCUMENT NO. SD-73204-5213	
SEE TABLE			MATERIAL NO.		APPROVED BY		DATE	SHEET NO.
THIS DRAWING CONTAINS INFORMATION THAT IS PROPRIETARY TO MOLEX INCORPORATED AND SHOULD NOT BE USED WITHOUT WRITTEN PERMISSION			JWIENER		2011/04/29		1 OF 1	

MATERIALS AND FINISHES

SEE SD-73204-5213

P/N: 73216-2730

1 PIECE 73204-5213 PLACED IN A SINGLE BAG

LABEL FORMAT FOR  
73216-2730

PART NUMBER: 73204-5213  
ORDER NUMBER: 73216-2730  
MOLEX  
DATE: YYWW

73216-2730	ONE PC 73204-5213 IN BAG
73204-5213	TRAY
PART NO.	PACKAGING

PS-89675-140	PRODUCT SPECIFICATION
MIL-STD-348A, FIG. 313.2	INTERFACE
SPECIFICATION	DESCRIPTION

CHG: ADD LABEL FORMAT EC NO: URF2012-0380 DRWINBOMALLEY 2012/01/04 CHKD:AZR 2012/01/04 APPR: JWIENER 2012/01/04 A1	QUALITY SYMBOLS ▼=0 ▽=0	GENERAL TOLERANCES (UNLESS SPECIFIED)	DIMENSION STYLE MM/IN	SCALE METRIC	DESIGN UNITS METRIC	THIRD ANGLE PROJECTION
		4 PLACES ± --- ± --- 3 PLACES ± --- ± --- 2 PLACES ± --- ± --- 1 PLACE ± --- ± --- ANGULAR ± 2 °	DRAWN BY DATE SSHAH 2011/04/29 CHECKED BY DATE AROBERTSON 2011/04/29 APPROVED BY DATE JWIENER 2011/04/29	TITLE TNC JACK RA PCB 50 OHMS RECEPTACLE EWR-4692 TNC-J/RA/PCB	MOLEX INCORPORATED	DOCUMENT NO. SD-73216-273
DRAFT WHERE APPLICABLE MUST REMAIN WITHIN DIMENSIONS		SEE TABLE	THIS DRAWING CONTAINS INFORMATION THAT IS PROPRIETARY TO MOLEX INCORPORATED AND SHOULD NOT BE USED WITHOUT WRITTEN PERMISSION			