

Ratings

Voltage: 30 Vdc
Current: 3 A

Operating Temperature Range

-40 ~ 85 °C, relative humidity of 85% or less

Materials

- ① Insulator: PA10T + 30% GF, UL94 V-0, black
- ② Pin: C5191 phosphor bronze, gold plating
- ③ Insulator: PA10T + 30% GF, black
- ④ Contact: SUS304, nickel plating
- ⑤ Epoxy: black
- ⑥ O-ring: silicon rubber, black

Electrical Requirements

Dielectric strength: 1 min @ 100 Vac
Insulation resistance: 100 MΩ min
Contact resistance: 40 mΩ or less

Mechanical Requirements

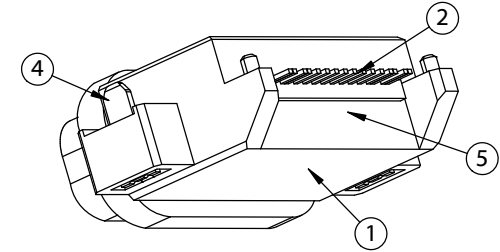
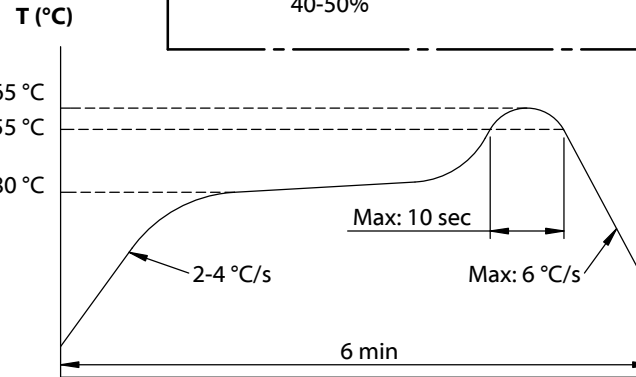
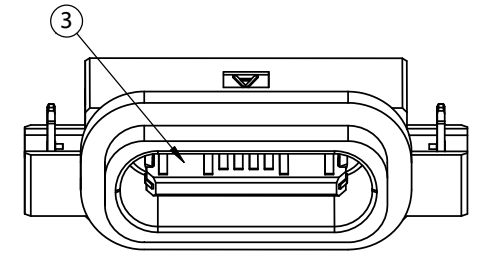
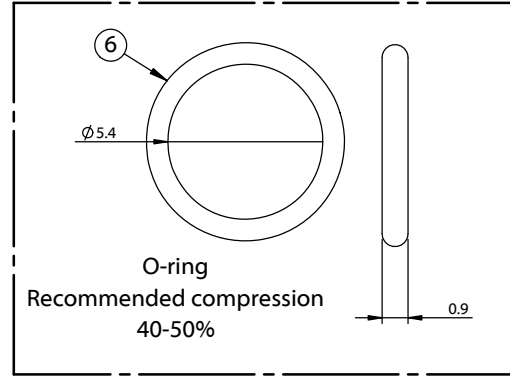
Insertion force: 0.5-2 kgf
Withdrawal force: 0.8-2 kgf
Life cycle: 10000 mating cycles while maintaining less than 50mΩ contact resistance (terminal) and 100mΩ contact resistance (ground)

Environmental Requirements

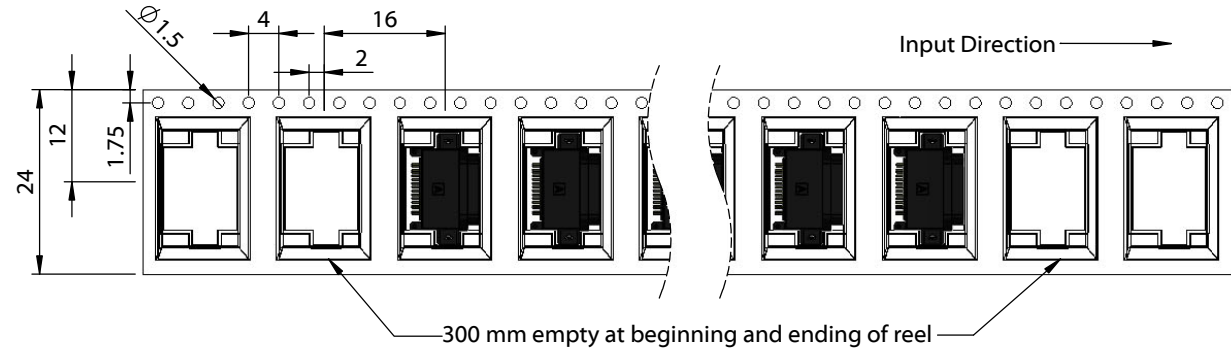
Waterproof: IPX7

Packaging

Tape and reel
700 pieces per reel
10 reels per carton



Reflow soldering temperature profile



Revision:	Date:	Description:
A	5/03/2022	Initial release

Prepared: **JD**
Digitally signed by JD
Date: 2022.06.07 09:10:15 -07'00'

Verified: **MP**
Digitally signed by MP
Date: 2022.12.01 15:01:47 -08'00'

Dimensions are in millimeters.
Tolerances:
X: ± 0.3 mm
X.X: ± 0.1 mm
X.XX: ± 0.05 mm

Notes:
RoHS compliant
Function test: no open, no short circuit, no intermittent

Description:
Connector, USB C 2.0 jack, 16 pin, SMT, through hole, 90°, nickel shell, IPX7 waterproof, reel

TENSILITY

tel 1.541.323.3228 800 877.670.7118
fax 1.541.323.4202 web tensility.com

Size:	Part number:
A	54-00304
Scale: 5:1	Sheet 2 of 2