



Terminals & Splices > Terminal Housings, Insulation Sleeves & Blocks > Crimp Terminal Housings



Terminal Type: **Receptacle**

Connector & Housing Type: **Receptacle**

Number of Positions: **1**

Terminal Orientation: **Straight**

UL Flammability Rating: **UL 94V-2**

### Features

#### Product Type Features

|                          |            |
|--------------------------|------------|
| Sealable                 | No         |
| Connector & Housing Type | Receptacle |

#### Configuration Features

|                     |   |
|---------------------|---|
| Number of Positions | 1 |
|---------------------|---|

#### Body Features

|                       |         |
|-----------------------|---------|
| Primary Product Color | Natural |
|-----------------------|---------|

#### Contact Features

|                          |            |
|--------------------------|------------|
| Terminal Type            | Receptacle |
| Terminal Orientation     | Straight   |
| Contact Mating Retention | Without    |

#### Mechanical Attachment

|                  |         |
|------------------|---------|
| Mating Alignment | Without |
|------------------|---------|

#### Housing Features

|  |  |
|--|--|
|  |  |
|--|--|



|                  |          |
|------------------|----------|
| Housing Material | Soft PVC |
|------------------|----------|

### Dimensions

|                                      |                 |
|--------------------------------------|-----------------|
| Product Length                       | 24 mm[.94 in]   |
| Compatible Insulation Diameter Range | 1.8 mm[.071 in] |

### Usage Conditions

|                             |                            |
|-----------------------------|----------------------------|
| Operating Temperature Range | -40 – 105 °C[-40 – 221 °F] |
|-----------------------------|----------------------------|

### Industry Standards

|                        |          |
|------------------------|----------|
| UL Flammability Rating | UL 94V-2 |
|------------------------|----------|

## Product Compliance

[For compliance documentation, visit the product page on TE.com>](#)

|   |   |
|---|---|
| EU RoHS Directive 2011/65/EU                  | Compliant   |
| EU ELV Directive 2000/53/EC                   | Compliant   |
| China RoHS 2 Directive MIIT Order No 32, 2016 | No Restricted Materials Above Threshold   |
| EU REACH Regulation (EC) No. 1907/2006        | Current ECHA Candidate List: JUNE 2023 (235)<br>Candidate List Declared Against: JAN 2023 (233)<br>SVHC > Threshold:<br>Dioctyltin dilaurate derivs (.4% in Component Part) |
| Halogen Content                               | Not Low Halogen - contains Br or Cl > 900 ppm.  |
| Solder Process Capability                     | Not applicable for solder process capability  |

#### Product Compliance Disclaimer

This information is provided based on reasonable inquiry of our suppliers and represents our current actual knowledge based on the information they provided. This information is subject to change. The part numbers that TE has identified as EU RoHS compliant have a maximum concentration of 0.1% by weight in homogenous materials for lead, hexavalent chromium, mercury, PBB, PBDE, DBP, BBP, DEHP, DIBP, and 0.01% for cadmium, or qualify for an exemption to these limits as defined in the Annexes of Directive 2011/65/EU (RoHS2). Finished electrical and electronic equipment products will be CE marked as required by Directive 2011/65/EU. Components may not be CE marked. Additionally, the part numbers that TE has identified as EU ELV compliant have a maximum concentration of 0.1% by weight in homogenous materials for lead, hexavalent chromium, and mercury, and 0.01% for cadmium, or qualify for an exemption to these limits as defined in the Annexes of Directive 2000/53/EC (ELV). Regarding the REACH Regulation, the information TE provides on SVHC in articles for this part number is based on the latest European Chemicals Agency (ECHA) 'Guidance on requirements for substances in articles' posted at this URL: <https://echa.europa.eu/guidance-documents/guidance-on-reach>

## Compatible Parts




TE Part # 170823-1  
110 FASTON SLEEVE, TAB,  
TRANSPARENT, NAT



TE Part # 170891-2  
250 FASTON HSG., FLAG, REC.,  
NATURAL



TE Part # 1-170823-9  
250 FASTON SLEEVE, REC.,  
TRANSPARENT, NAT



TE Part # 170823-4  
250 FASTON SLEEVE, REC.,  
TRANSPARENT



TE Part # 1-170823-4  
187 FASTON SLEEVE, REC.,  
TRANSPARENT, NAT



TE Part # 1-170823-5  
250 FASTON SLEEVE, REC.,  
TRANSPARENT



TE Part # 170823-2  
250 FASTON SLEEVE, REC.,  
TRANSPARENT



TE Part # 170891-1  
250 FASTON HSG., FLAG, REC.,  
NATURAL



TE Part # 170823-6  
250 FASTON SLEEVE, REC.,  
TRANSPARENT



TE Part # 1-170823-6  
250 FASTON SLEEVE, REC.,  
TRANSPARENT



TE Part # 1-170823-1  
110 FASTON SLEEVE, REC.,  
TRANSPARENT, NAT



TE Part # 1-170823-3  
187 FASTON SLEEVE, REC.,  
TRANSPARENT, NAT



TE Part # 1-170823-8  
250 FASTON SLEEVE, REC.,  
TRANSPARENT



TE Part # 170823-9  
110 FASTON SLEEVE, REC.,  
TRANSPARENT, NAT



TE Part # 170889-4  
SLEEVE DIA5 SHUR PLUG NAT



TE Part # 2-170823-8  
187 FASTON SLEEVE, FLAG, REC.,  
TRANSPARENT



TE Part # 4-170823-1  
205 FASTON SLEEVE, REC., NATURAL



TE Part # 2-170823-0  
250 FASTON SLEEVE, REC.,  
TRANSPARENT, NAT

Also in the Series | **FASTON 250**



Compression Connectors(4)



Crimp Terminal Housings(142)



Insertion & Extraction Tools(6)



Magnet Wire Terminals(1)



PCB Terminals(135)

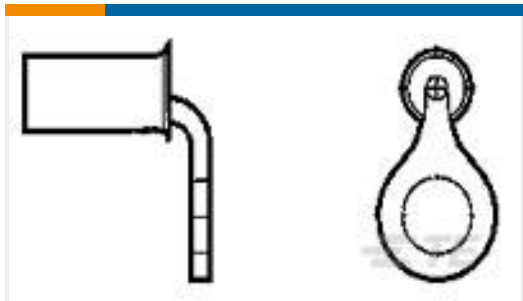


Quick Disconnects(445)

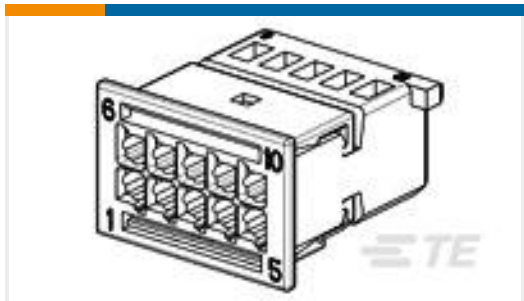


Splices(4)

## Customers Also Bought



TE Part #35625  
TERMINAL,SOLIS R 90DEG 4 1/4



TE Part #1-968636-2  
10POS MQS REC COD A



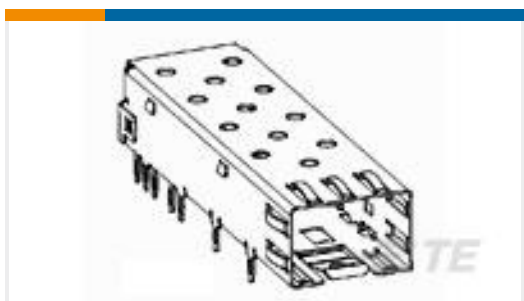
TE Part #YHDP26-18-14SEL024  
PLG, 14P, BLK, E, WTHD, 16, S



TE Part #33114  
TERMINAL,SOLIS R 4 10



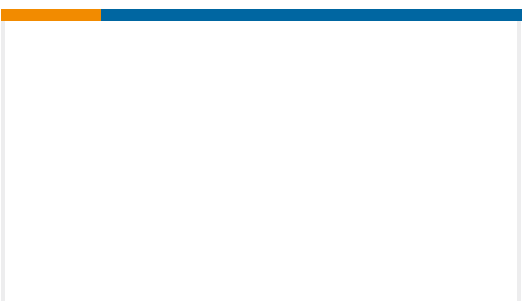
TE Part #1-368376-1  
81P REC HSG ASSY(SIEMENS)BLK-B



TE Part #2227317-1  
press fit cage assy, single with lp



TE Part #1-1703494-2  
3POS, MCON 1.2 LL TAB SEALED  
COD A



TE Part #3-1904131-0  
V23134B4052X546-EV-CBOX  
COD A

## Documents

### Product Drawings

250 FASTON SLEEVE,REC.,TRANSPARENT

English

### CAD Files

3D PDF

3D

Customer View Model

ENG\_CVM\_CVM\_170823-3\_F.2d\_dxf.zip



English

Customer View Model

[ENG\\_CVM\\_CVM\\_170823-3\\_F.3d\\_igs.zip](#)

English

Customer View Model

[ENG\\_CVM\\_CVM\\_170823-3\\_F.3d\\_stp.zip](#)

English

By downloading the CAD file I accept and agree to the [Terms and Conditions](#) of use.

## Datasheets & Catalog Pages

[FASTON Housings](#)

English