

63613-1 ✓ ACTIVE



## MAG-MATE

TE Internal #: 63613-1

Magnet Wire Terminals, Poke-In, Mating Tab Width .02 in [1.27 mm], .02 – .06 mm Magnet Wire, 52 – 42 AWG Magnet Wire, Tin Plating, MAG-MATE

[View on TE.com >](#)

Terminals & Splices > Magnet Wire Terminals



Magnet Wire Terminal Type: **Poke-In**

Mating Tab Width: 1.27 mm [.02 in]

Mating Tab Thickness: .51 mm [.02 in]

Magnet Wire Size: .02 – .06 mm

### Features

#### Product Type Features

Compatible With Discrete Wire Type	Magnet Wire, Solid
------------------------------------	--------------------

#### Contact Features

Magnet Wire Terminal Type	Poke-In
---------------------------	---------

Mating Tab Width	1.27 mm [.02 in]
------------------	------------------

Mating Tab Thickness	.51 mm [.02 in]
----------------------	-----------------

Terminal Plating Material	Tin
---------------------------	-----

Terminal Orientation	Twisted
----------------------	---------

#### Dimensions

Terminal Height	8.76 mm [.345 in]
-----------------	-------------------

Magnet Wire Size	.02 – .06 mm
------------------	--------------

Stock Thickness (Magnet Wire Side)	.25 mm [.01 in]
------------------------------------	-----------------

Product Length	9.02 mm [.355 in]
----------------	-------------------

#### Usage Conditions

Insulation Option	Uninsulated
-------------------	-------------



### Operation/Application

Compatible With Wire Base Material	Copper
------------------------------------	--------

### Packaging Features

Packaging Method	Reel, Reel/Carton
------------------	-------------------

### Other

Terminals & Splices Comment	Solid or overcoated stranded lead wire only.
-----------------------------	--

### Product Compliance

[For compliance documentation, visit the product page on TE.com>](#)

EU RoHS Directive 2011/65/EU	Compliant
EU ELV Directive 2000/53/EC	Compliant
China RoHS 2 Directive MIIT Order No 32, 2016	No Restricted Materials Above Threshold
EU REACH Regulation (EC) No. 1907/2006	Current ECHA Candidate List: JUNE 2023 (235) Candidate List Declared Against: JUNE 2023 (235) Does not contain REACH SVHC
Halogen Content	Low Halogen - Br, Cl, F, I < 900 ppm per homogenous material. Also BFR/CFR/PVC Free
Solder Process Capability	Not applicable for solder process capability

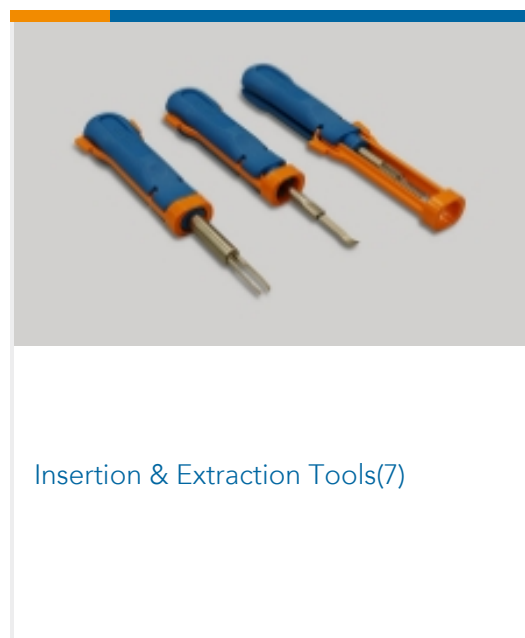
#### Product Compliance Disclaimer

This information is provided based on reasonable inquiry of our suppliers and represents our current actual knowledge based on the information they provided. This information is subject to change. The part numbers that TE has identified as EU RoHS compliant have a maximum concentration of 0.1% by weight in homogenous materials for lead, hexavalent chromium, mercury, PBB, PBDE, DBP, BBP, DEHP, DIBP, and 0.01% for cadmium, or qualify for an exemption to these limits as defined in the Annexes of Directive 2011/65/EU (RoHS2). Finished electrical and electronic equipment products will be CE marked as required by Directive 2011/65/EU. Components may not be CE marked. Additionally, the part numbers that TE has identified as EU ELV compliant have a maximum concentration of 0.1% by weight in homogenous materials for lead, hexavalent chromium, and mercury, and 0.01% for cadmium, or qualify for an exemption to these limits as defined in the Annexes of Directive 2000/53/EC (ELV). Regarding the REACH Regulation, the information TE provides on SVHC in articles for this part number is based on the latest European Chemicals Agency (ECHA) 'Guidance on requirements for substances in articles' posted at this URL: <https://echa.europa.eu/guidance-documents/guidance-on-reach>

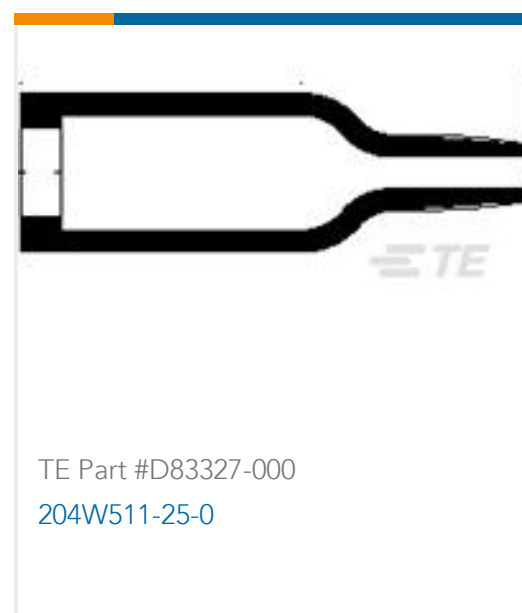
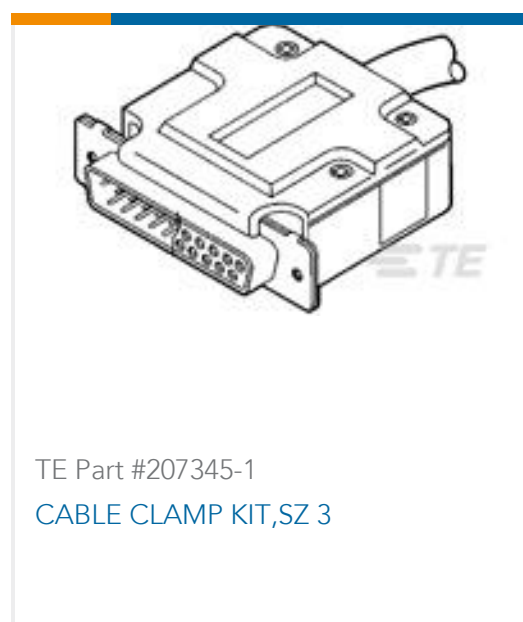
### Compatible Parts



Also in the Series | **MAG-MATE**



Customers Also Bought





## Documents

### Product Drawings

#### MINI MAG-MATE 42-52 010 TPBR

English

### CAD Files

#### 3D PDF

3D

#### Customer View Model

[ENG\\_CVM\\_CVM\\_63613-1\\_R.2d\\_dxf.zip](#)

English

#### Customer View Model

[ENG\\_CVM\\_CVM\\_63613-1\\_R.3d\\_igs.zip](#)

English

#### Customer View Model

[ENG\\_CVM\\_CVM\\_63613-1\\_R.3d\\_stp.zip](#)

English

By downloading the CAD file I accept and agree to the [Terms and Conditions](#) of use.

### Datasheets & Catalog Pages

#### Magnet Wire Terminals & Splices

English

### Product Specifications

#### Application Specification

English

### Product Environmental Compliance

#### Product Compliance

English

#### Product Compliance

English