


VS-PP-R-8XRJ45/5-LSA

Order No.: 1654895

<http://eshop.phoenixcontact.de/phoenix/treeViewClick.do?UID=1654895>

RJ45 patch panel, DIN rail mounting, IP20, eight slots, LSA connection, CAT5e, shielding over jumper can be selected

Commercial data

GTIN (EAN)	 4 046356 028868
sales group	D552
Pack	1 pcs.
Customs tariff	85366990
Catalog page information	Page 198 (PC-2009)

Product notes

WEEE/RoHS-compliant since:
12/11/2006



<http://www.download.phoenixcontact.com>
Please note that the data given here has been taken from the online catalog. For comprehensive information and data, please refer to the user documentation. The General Terms and Conditions of Use apply to Internet downloads.

Technical data

Mechanical characteristics

Number of positions	8
Number of slots	8
Insertion/withdrawal cycles	≥ 200
Type of connection	LSA-PLUS
Conductor cross-section	0.14 mm ² ... 0.34 mm ² (solid)

Connection cross-section AWG	26 ... 22 (solid)
External cable diameter	5 mm ... 8.5 mm
Color	green
Ambient temperature (operation)	0 °C ... 70 °C

Material data

Inflammability class acc. to UL 94	V0
Housing material	PC
Contact carrier material	PBT
Contact material	Copper alloy
Contact surface material	Gold over nickel
Degree of protection	IP20

Electrical characteristics

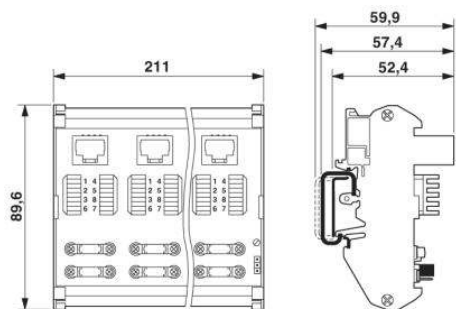
Number of positions	8
Transmission characteristics (category)	CAT5 (IEC 11801:2002), CAT5e (TIA 568B:2001)
Rated current	1 A

Accessories

Item	Designation	Description
General		
2765505	CT-WZ/A	Split-core tool for connecting cables to LSA-Plus strips
Tools		
1657407	VS-CABLE-STRIP-VARIO	Stripping tool, for the multi-level stripping of shielded cables

Diagrams/Drawings

Dimensioned drawing



Patch panel with eight RJ45 connections

Address

PHOENIX CONTACT Deutschland GmbH
Flachmarktstr. 8
32825 Blomberg, Germany
Phone +49 5235 3 12000
Fax +49 5235 3 41200
<http://www.phoenixcontact.de>



© 2011 Phoenix Contact
Technical modifications reserved;