

4

3

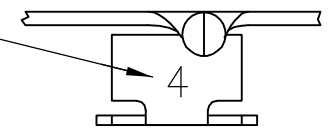
2

1

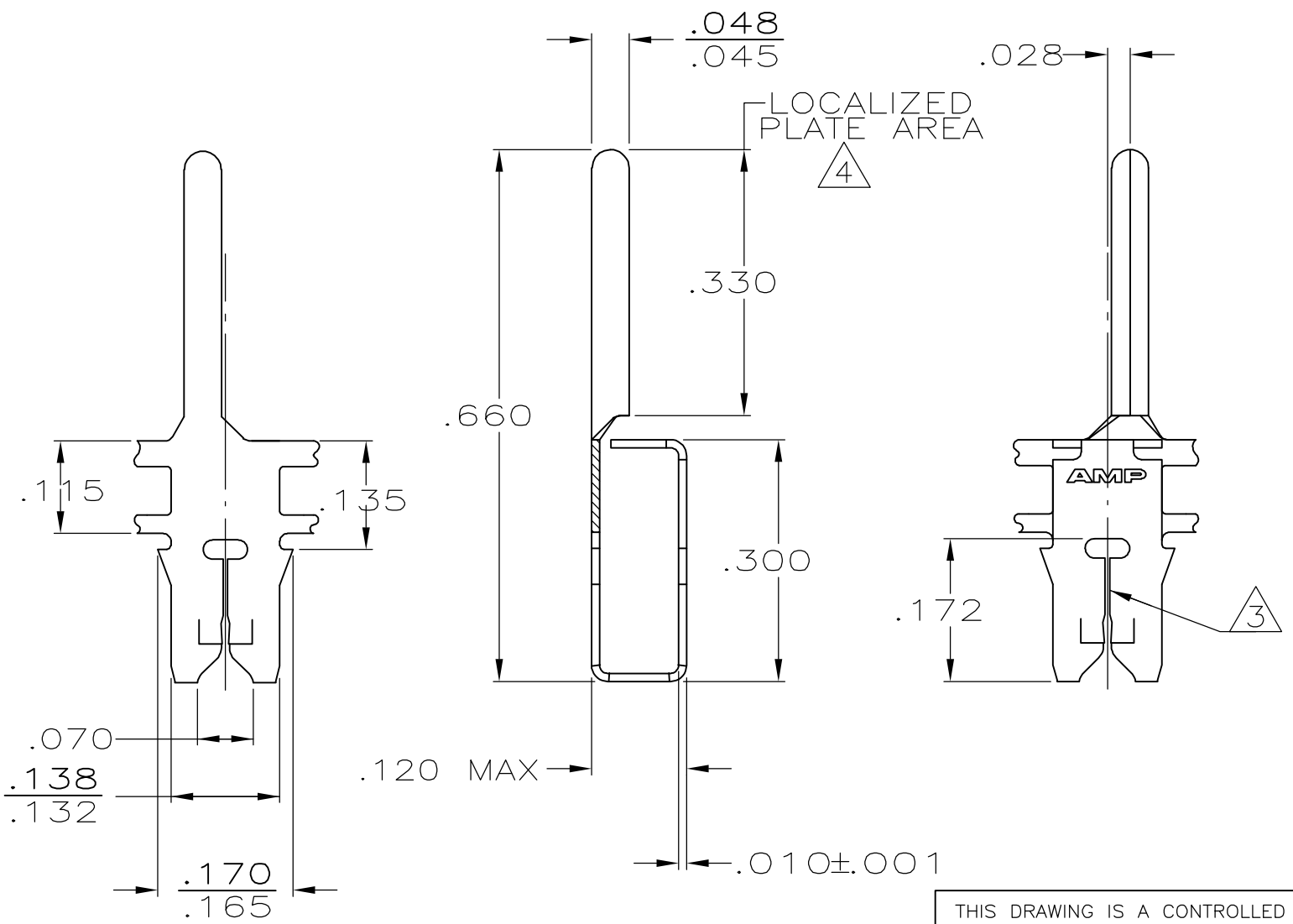
THIS DRAWING IS UNPUBLISHED. RELEASED FOR PUBLICATION  
 © COPYRIGHT - BY TYCO ELECTRONICS CORPORATION. ALL RIGHTS RESERVED.

| LOC | DIST | REVISIONS   |                       |         |       |
|-----|------|-------------|-----------------------|---------|-------|
| P   | LTR  | DESCRIPTION | DATE                  | DWN     | APVD  |
| AF  | 50   | E           | REV PER ECR 05-010705 | 03NOV05 | JR KR |

IDENTIFICATION NUMBER 4 FOR  
MAGNET WIRE RANGE



- 1 MAG-MATE CAVITY SPECIFICATION.
- 2 CONTINUOUS STRIP ON REELS WITH TERMINALS LOCATED ON .220 CENTERS.
- 3 SLOT TERMINATES EITHER SINGLE OR DOUBLE MAGNET WIRES OF THE SAME TYPE AND SIZE, COPPER RANGE IS #33-#31 AWG.
- 4 .000080/.000250 TIN PLATE.



63443-1  
PART NO.

|  |  |                          |   |                 |                    |                 |
|--|--|--------------------------|---|-----------------|--------------------|-----------------|
| THIS DRAWING IS A CONTROLLED DOCUMENT.   |  | DWN MS FEHER 10/25/88    | Tyco Electronics Corporation<br>Harrisburg, PA 17105-3608 |                 |                    |                 |
| DIMENSIONS: INCHES   |  | CHK JR RUTH 10/25/88     |   |                 |                    |                 |
| TOLERANCES UNLESS OTHERWISE SPECIFIED:   |  | APVD TL SHUTTER 10/25/88 | NAME PIN, .048 DIA, MAG-MATE, ( RIGHT HAND )              |                 |                    |                 |
| 0 PLC ± -<br>1 PLC ± -<br>2 PLC ± -<br>3 PLC ± .006<br>4 PLC ± -<br>ANGLES ± - |  | PRODUCT SPEC -           | APPLICATION SPEC 114-2046 1                               |                 |                    |                 |
| MATERIAL H04 BRASS   |  | FINISH - 4               | SIZE A3   | CAGE CODE 00779 | DRAWING NO C-63443 | RESTRICTED TO - |
| CUSTOMER DRAWING   |  |                          | SCALE 5:1   | SHEET 1 OF 1    | REV E              |                 |