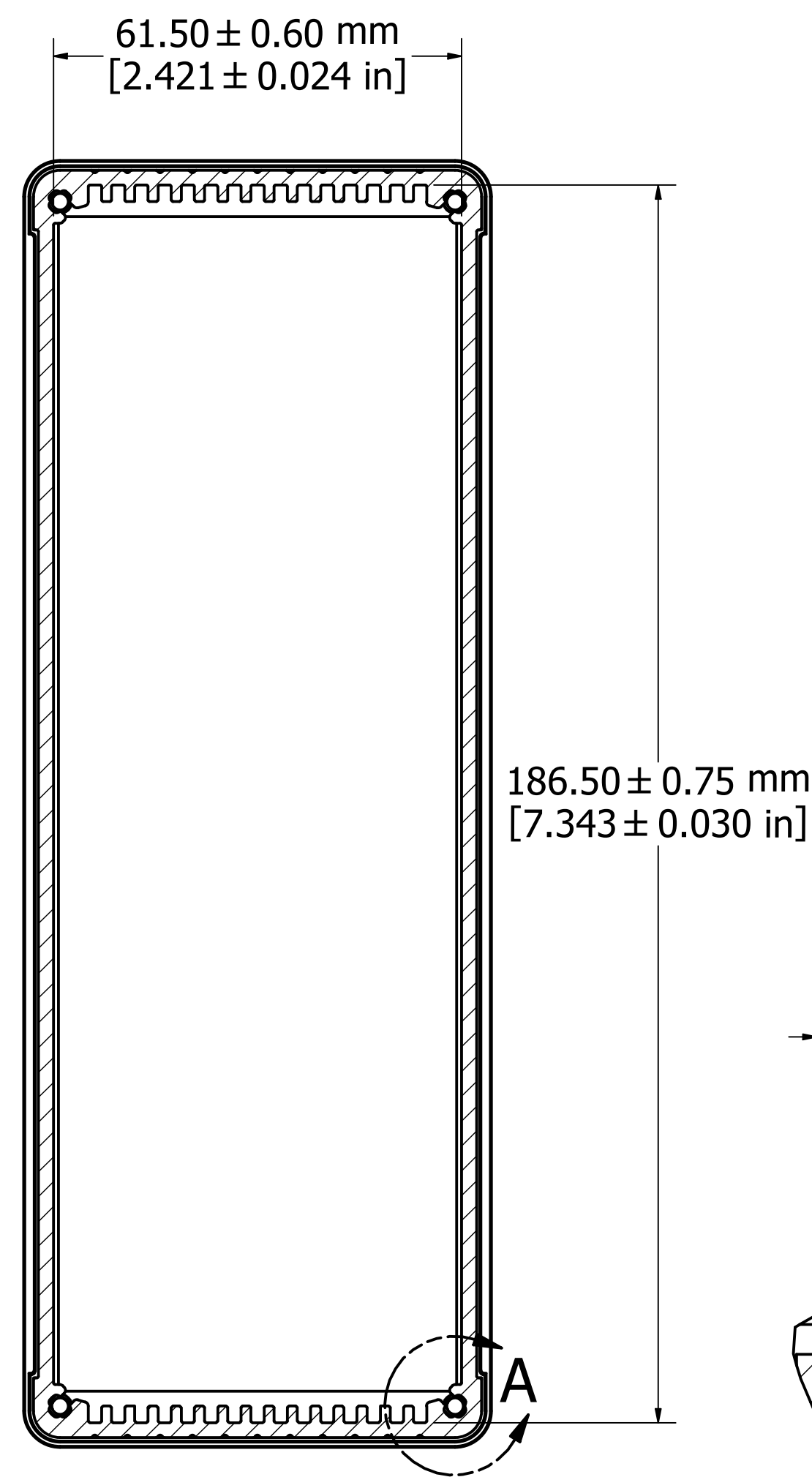
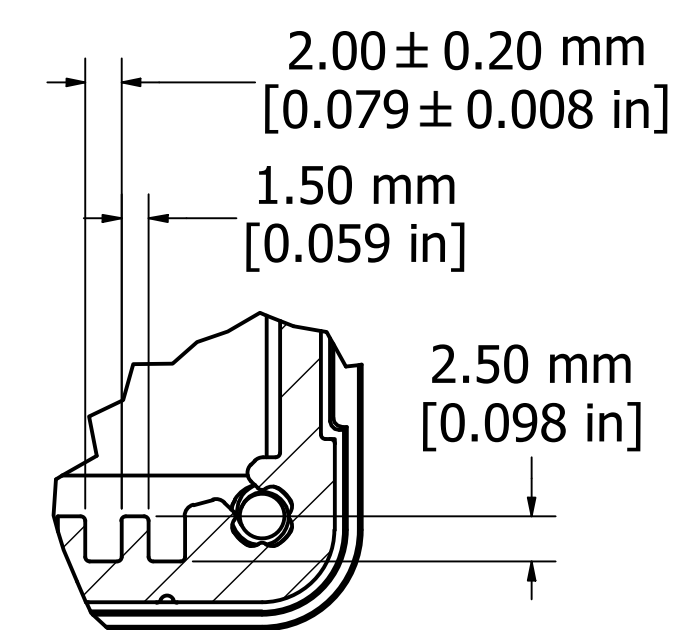


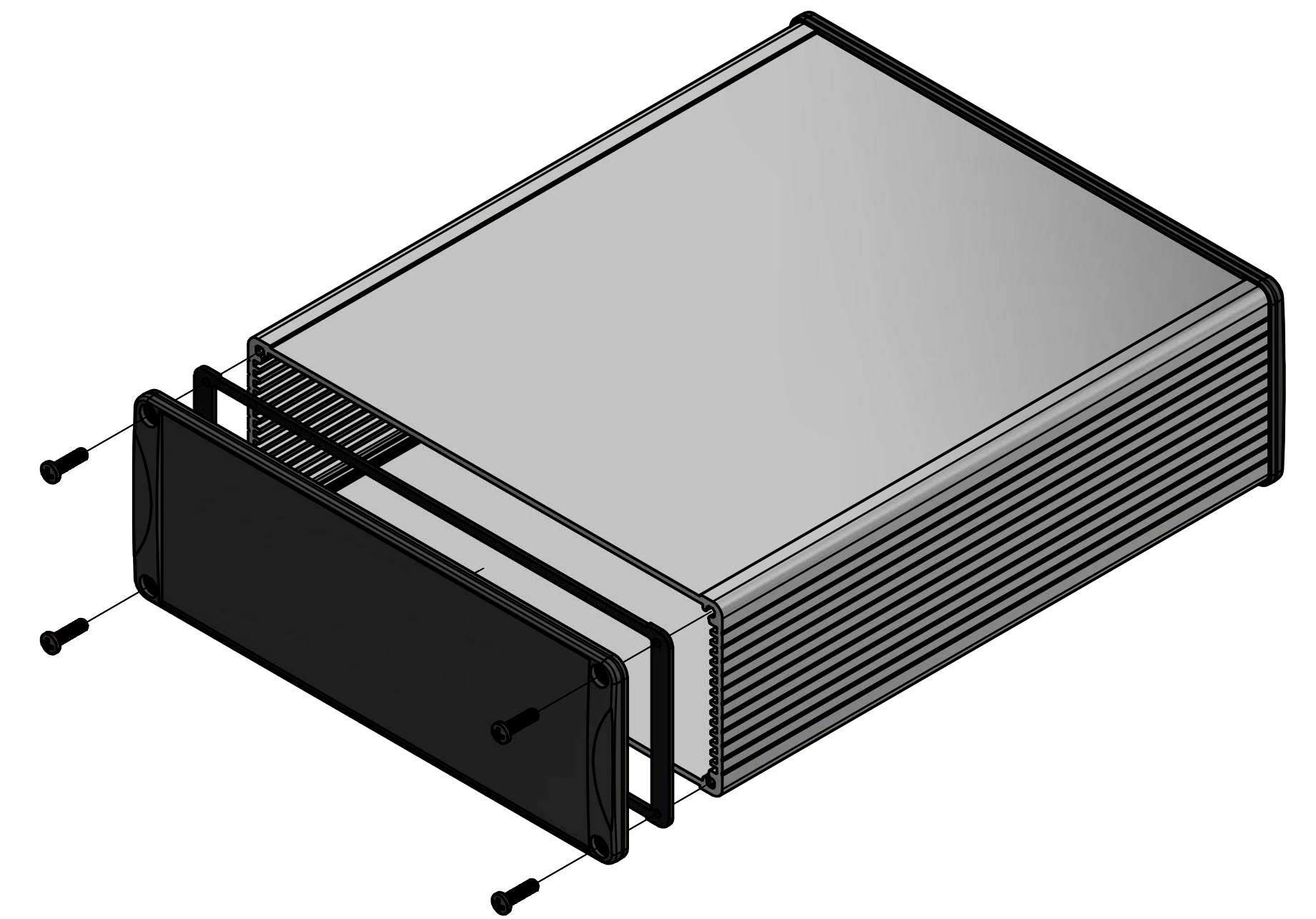
ASSEMBLY - VIEW FROM TOP



SECTION A-A



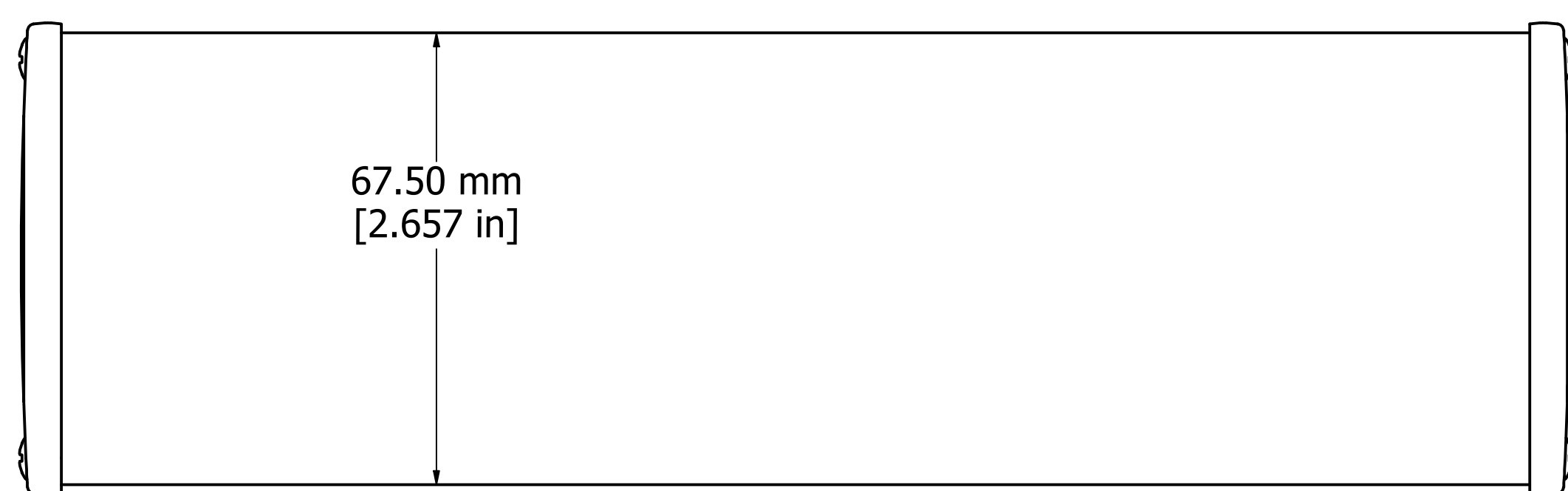
DETAIL A



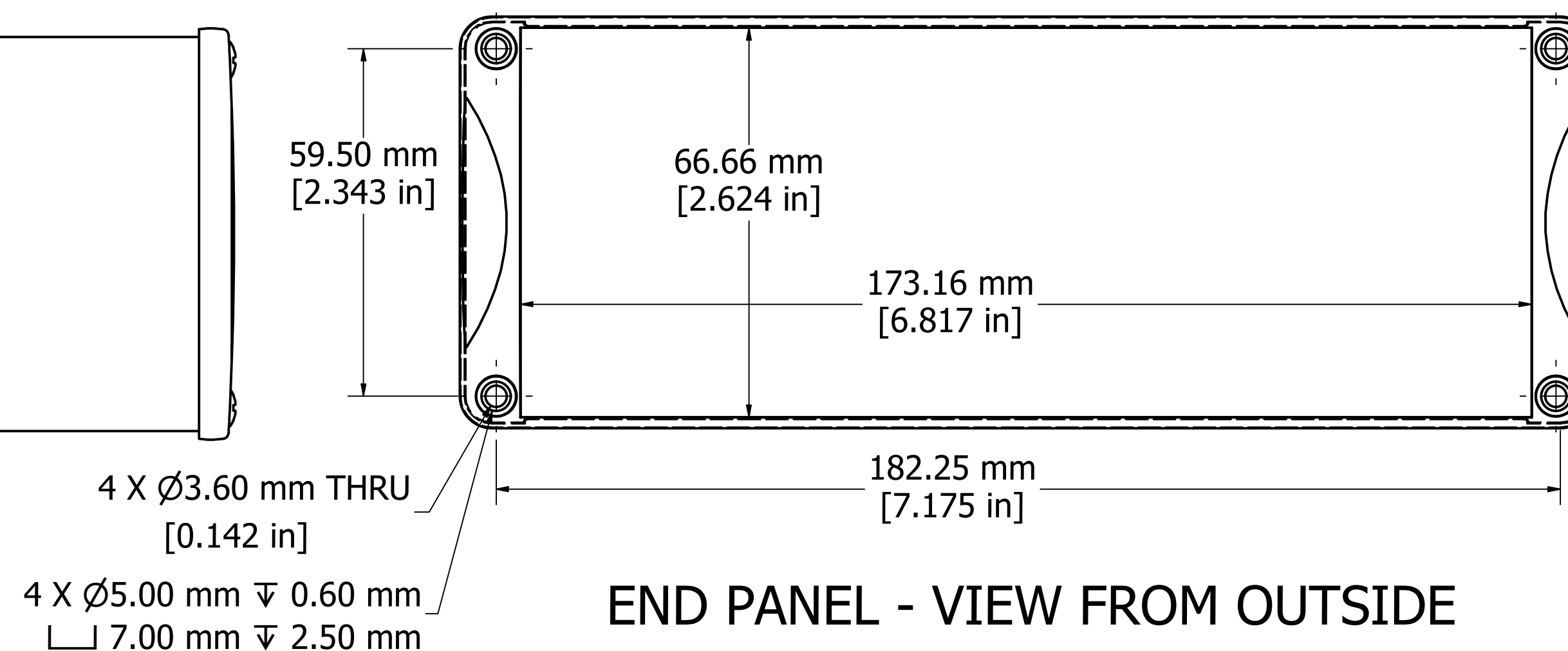
**PROTECTION TO IP 65**

Enclosures can be Factory Modified ( Milling, Drilling, Printing etc. )  
 Contact Factory [mjm@hammondmfg.com](mailto:mjm@hammondmfg.com) for quotes  
 Solid models of this enclosure available in STEP or IGES.

NOTE	
Purchased assembly includes box, end panels, stainless steel #6 Taptight screws, self adhesive rubber feet, gaskets and O-Rings.	
Box made from Extruded Aluminum 6063.	
End panels made from Type 380 Diecast Aluminum with a black powder paint finish.	
WATERPROOF 1457U2201	
PART NUMBERS	
Clear anodized box with black powder painted end panels	1457U2201
Black powder painted box and end panels	1457U2201BK
EMI/RFI SHIELDED (IP 54)	
Clear anodized box with black powder painted end panels	1457U2201E
Black powder painted box and end panels	1457U2201EBK
ACCESSORIES	
See website for accessories.	



ASSEMBLY - VIEW FROM SIDE



END PANEL - VIEW FROM OUTSIDE

Fits 220mm (8.661") X 186mm (7.323") PCB

**HAMMOND  
MANUFACTURING™**

**1457U2201**

[www.hammondmfg.com](http://www.hammondmfg.com)