

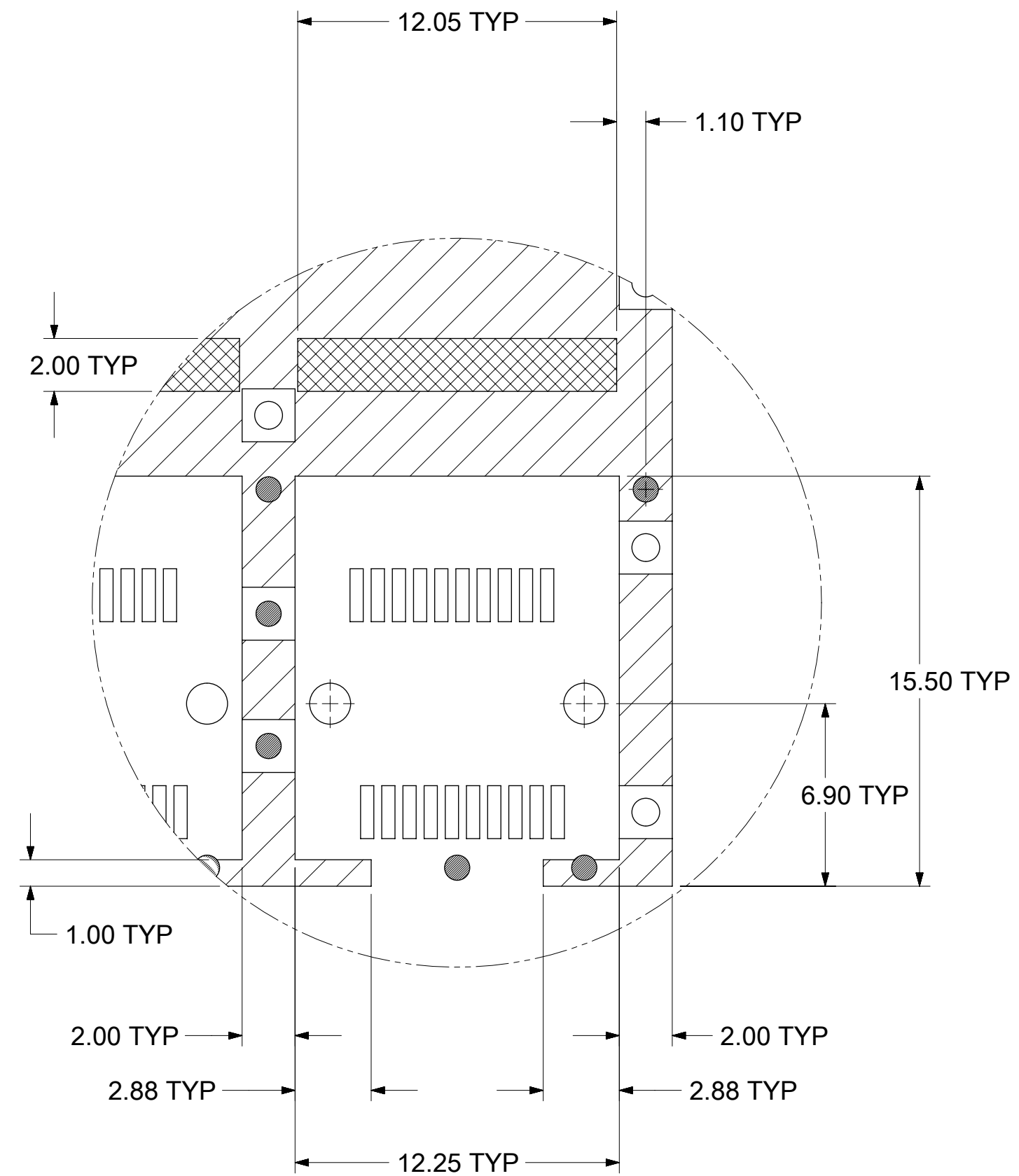
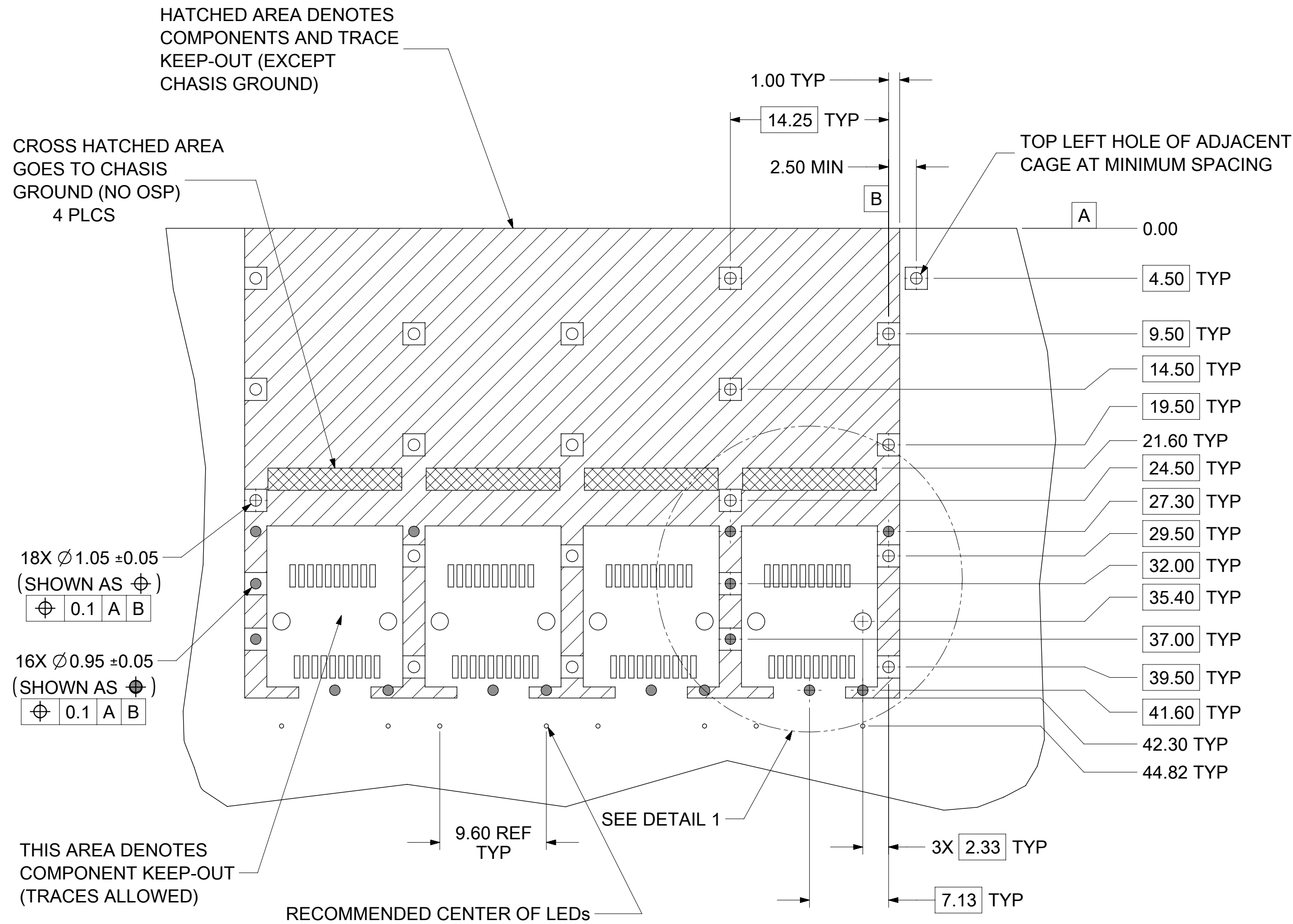
NOTES:

- MATERIAL:  
CAGE: NICKEL PLATED COPPER ALLOY, THICKNESS 0.25mm.  
SPRING FINGER: STAINLESS STEEL.  
LIGHT PIPE COVER: NICKEL PLATED COPPER ALLOY.  
LIGHT PIPE: POLYCARBONATE (94-V0 RATED)
- PORTS ARE DESIGNED FOR SFP+ TRANSCEIVERS AND ARE COMPATIBLE WITH SFP TRANSCEIVERS.
- WELD SPOTS WILL SHOW SLIGHT DISCOLORATION.
- IT IS NOT RECOMMENDED TO PRESS ON LIGHT PIPES WHEN INSTALLING CAGE.
- NO RoHS EXEMPTIONS.

FUNCTIONAL SYMBOLS $\nabla_A = 0$ $\nabla_E = 0$ $\nabla_P = 0$	THIS DRAWING CONTAINS INFORMATION THAT IS PROPRIETARY TO MOLEX ELECTRONIC TECHNOLOGIES, LLC AND SHOULD NOT BE USED WITHOUT WRITTEN PERMISSION		CURRENT REV DESC: SEE REVISION TABLE					
	DIMENSION UNITS	SCALE	<b>molex</b> 1X4 SFP+ GANGED CAGE ASY PRESS FIT TYPE, W/SUS SF AND LOW PROFILE LIGHT PIPE					
	mm	2:1						
	GENERAL TOLERANCES (UNLESS SPECIFIED)		EC NO: 707270					
ANGULAR TOL ± 1.0°		DRWN: CHETHH2	2022/04/18					
4 PLACES ±		CHK'D: TKUMARKC	2022/05/25					
3 PLACES ±		APPR: SCHIEN	2022/06/01					
2 PLACES ± 0.15		INITIAL REVISION:						
1 PLACE ± 0.25		DRWN: CHETHH2	2022/04/18					
0 PLACES ±		APPR: SCHIEN	2022/06/01					
DRAFT WHERE APPLICABLE MUST REMAIN WITHIN DIMENSIONS		THIRD ANGLE PROJECTION	DRAWING	SERIES	DOCUMENT NUMBER	DOC TYPE	DOC PART	REVISION
			C-SIZE	74754	747548715	PSD	ASY	A
					MATERIAL NUMBER	CUSTOMER	SHEET NUMBER	
					747548715		1 OF 5	

DOCUMENT STATUS	P1	RELEASE DATE	2022/06/01	06:40:56
-----------------	----	--------------	------------	----------

# PCB LAYOUT FOR SINGLE SIDED MOUNTING



DETAIL 1  
SCALE 5:1

LAYOUT APPLIES TO EACH PORT

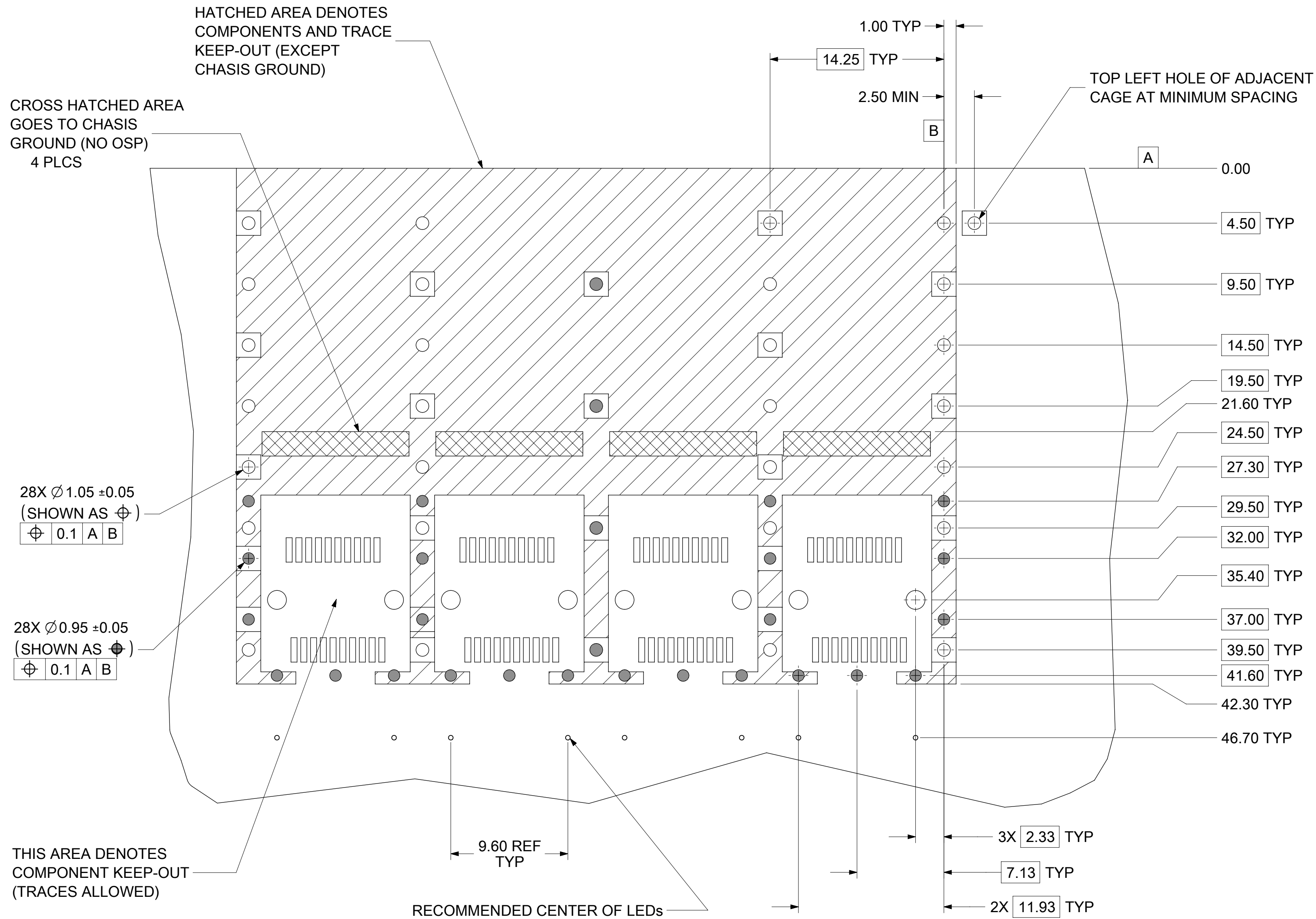
NOTES:

- PADS AND VIAS CONNECT TO CHASSIS GROUND (RECOMMEND PADS TO BE 2.00mm SQUARE)
- RECOMMENDED THRU HOLE PLATING INCLUDES HASL, OSP, OR IMMERSION (GOLD, SILVER, OR TIN).
- CONNECTOR PAD LAYOUT PER SFP+ MSA WILL ACCOMMODATE MOLEX CONNECTOR SERIES 74441 OR EQUIVALENT.
- HOLE PATTERN REPEATS FOR EACH PORT. SPACING BETWEEN PORTS IS 14.25mm.
- 1.57 MINIMUM PCB THICKNESS FOR SINGLE SIDED MOUNTING USE.

FUNCTIONAL SYMBOLS	THIS DRAWING CONTAINS INFORMATION THAT IS PROPRIETARY TO MOLEX ELECTRONIC TECHNOLOGIES, LLC AND SHOULD NOT BE USED WITHOUT WRITTEN PERMISSION		CURRENT REV DESC: SEE REVISION TABLE		<b>molex</b>
	DIMENSION UNITS	SCALE			
$\overline{A} = 0$	mm	3:1			1X4 SFP+ GANGED CAGE ASY PRESS FIT TYPE, W/SUS SF AND LOW PROFILE LIGHT PIPE
$\overline{C} = 0$	GENERAL TOLERANCES (UNLESS SPECIFIED)				
$\overline{P} = 0$	ANGULAR TOL $\pm 1.0^\circ$				PRODUCT CUSTOMER DRAWING
DIVISIONAL SYMBOLS	4 PLACES	$\pm$	EC NO: 707270	2022/04/18	
	3 PLACES	$\pm$	DRWN: CHETHH2	2022/05/25	
	2 PLACES	$\pm 0.15$	CHK'D: TKUMARKC	2022/06/01	
	1 PLACE	$\pm 0.25$	APPR: SCHIEN		
	0 PLACES	$\pm$	INITIAL REVISION:		
	DRAFT WHERE APPLICABLE MUST REMAIN WITHIN DIMENSIONS		DRWN: CHETHH2	2022/04/18	DOCUMENT NUMBER
	THIRD ANGLE PROJECTION		APPR: SCHIEN	2022/06/01	747548715
	DRAWING		SERIES	MATERIAL NUMBER	CUSTOMER
	C-SIZE		74754	747548715	
					DOC TYPE DOC PART REVISION
					PSD ASY A
					SHEET NUMBER
					2 OF 5

DOCUMENT STATUS	P1	RELEASE DATE	2022/06/01	06:40:56
-----------------	----	--------------	------------	----------

# PCB LAYOUT FOR BELLY TO BELLY MOUNTING



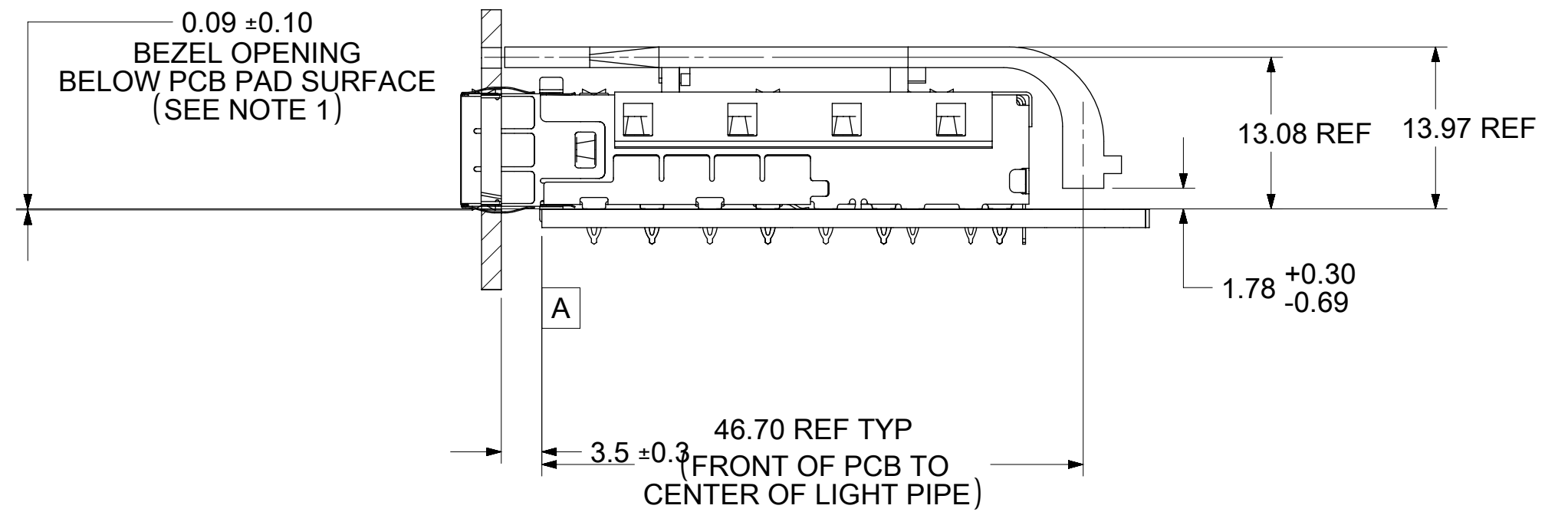
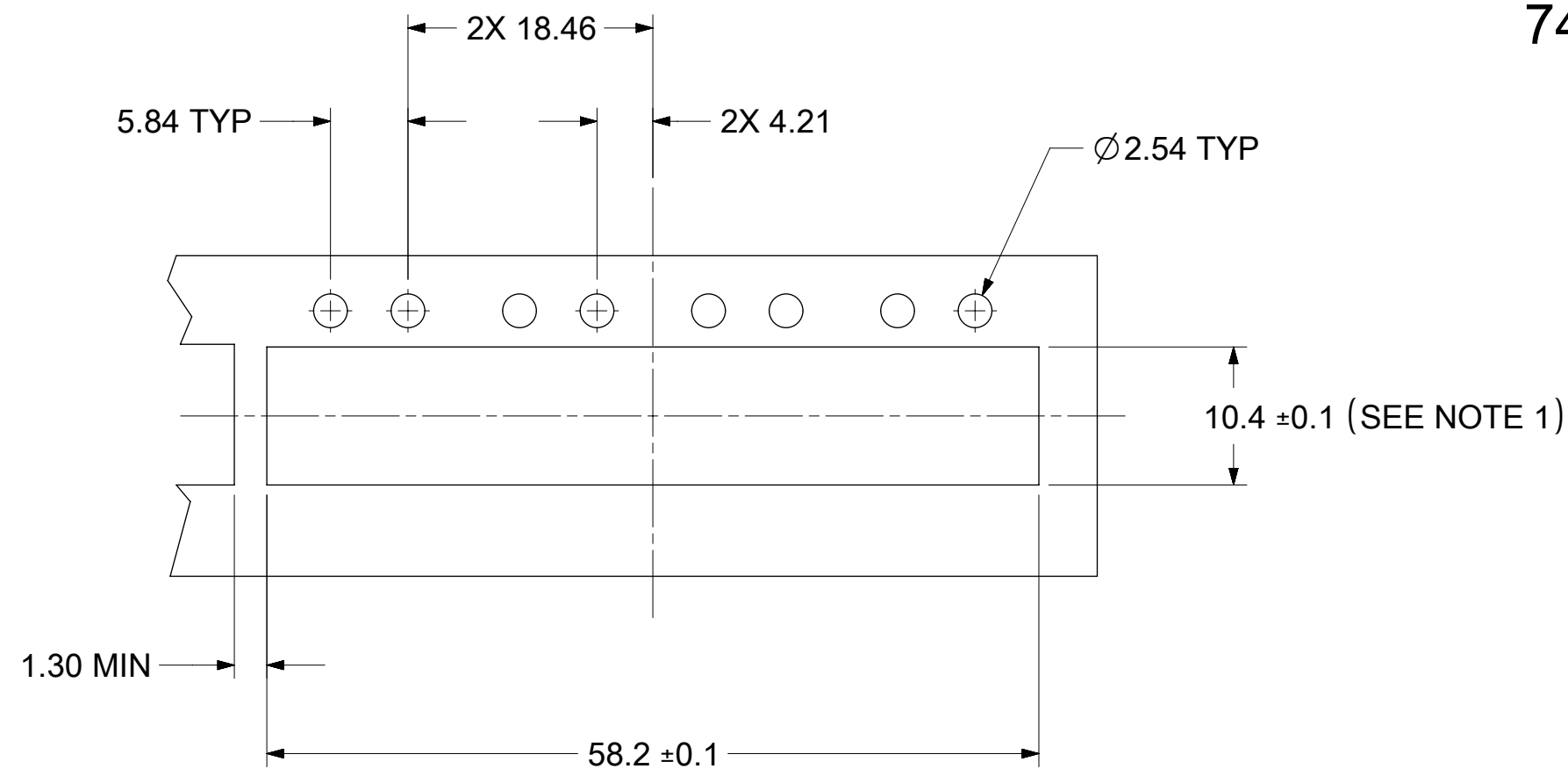
**NOTES:**

1. PADS AND VIAS CONNECT TO CHASSIS GROUND (RECOMMEND PADS TO BE 2.00mm SQUARE)
2. RECOMMENDED THRU HOLE PLATING INCLUDES HASL, OSP, OR IMMERSION (GOLD, SILVER, OR TIN).
3. CONNECTOR PAD LAYOUT PER SFP+ MSA WILL ACCOMMODATE MOLEX CONNECTOR SERIES 74441 OR EQUIVALENT.
4. HOLE PATTERN REPEATS FOR EACH PORT. SPACING BETWEEN PORTS IS 14.25mm.
5. 3.00 MINIMUM PCB THICKNESS FOR BELLY TO BELLY USE.

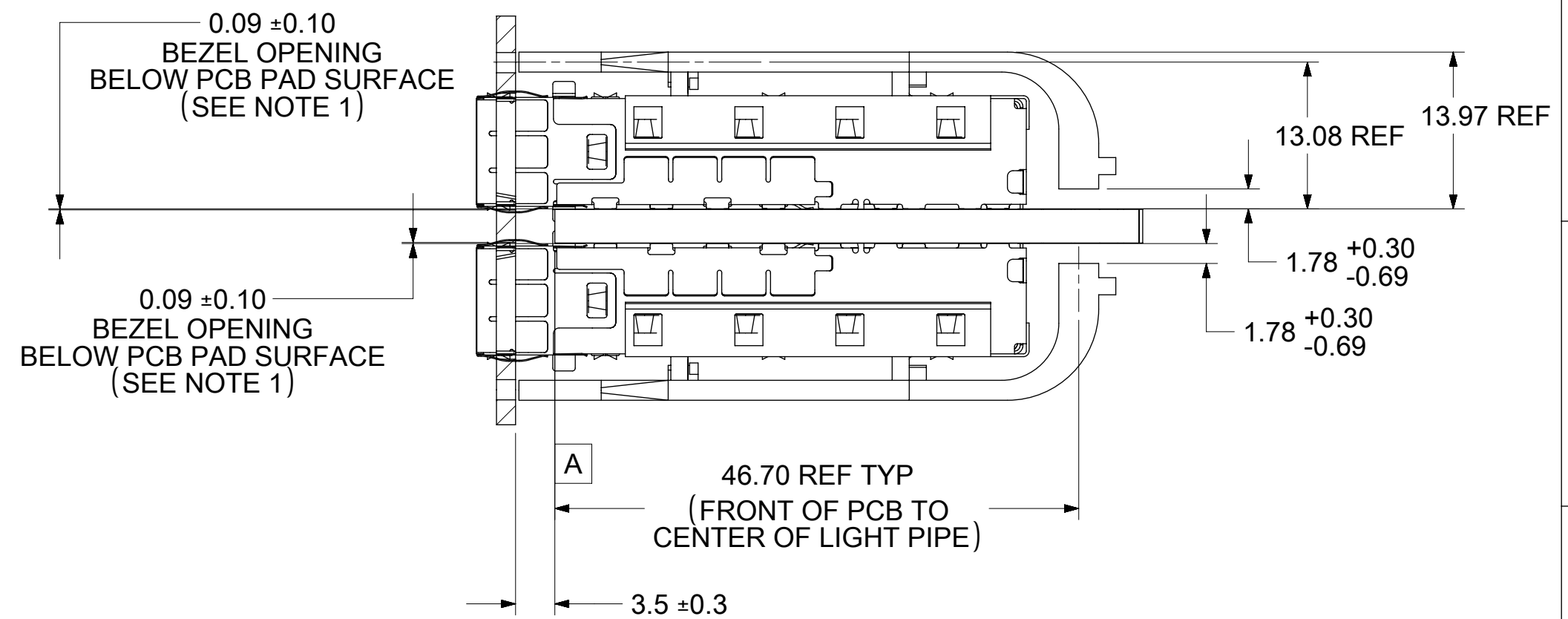
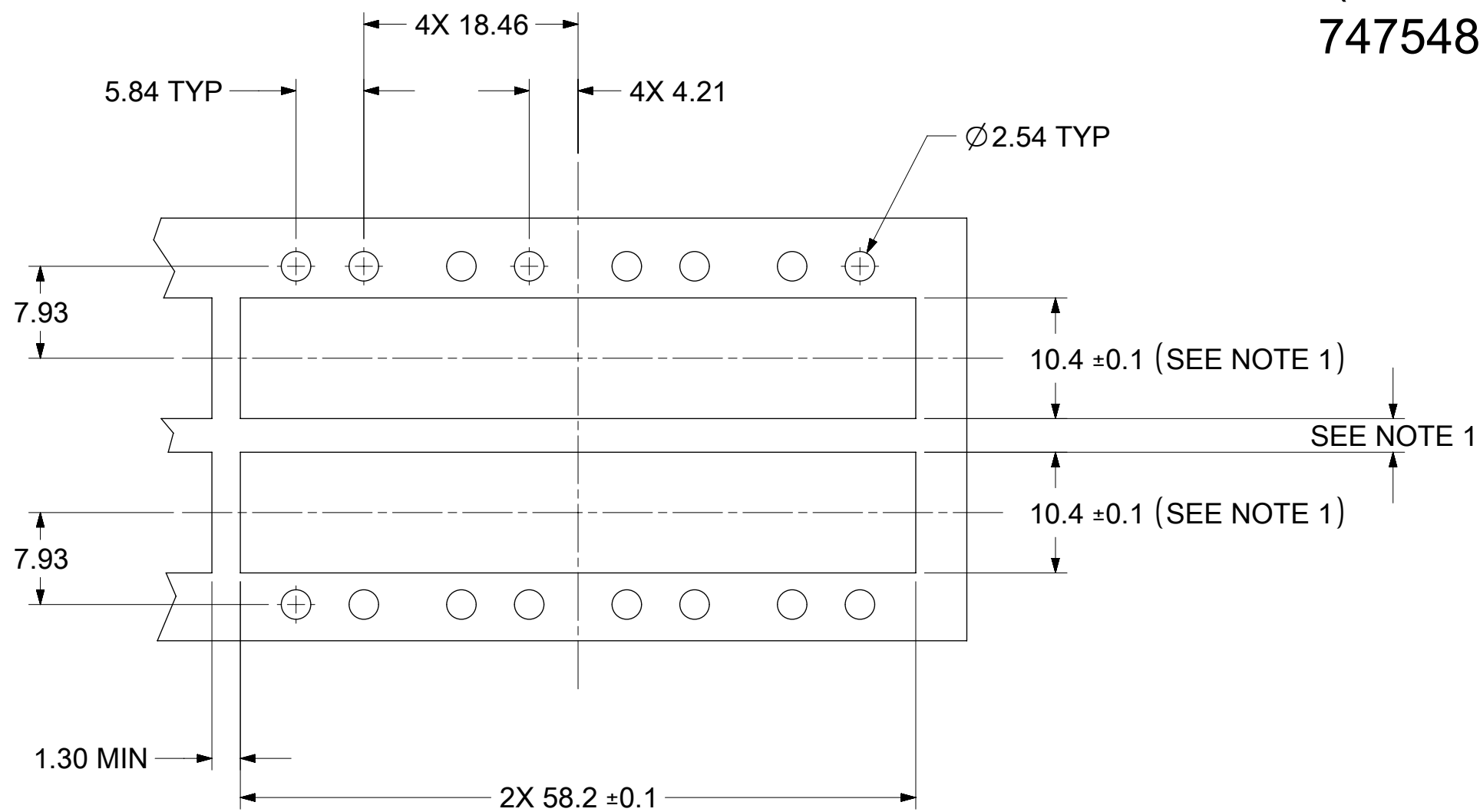
FUNCTIONAL SYMBOLS		THIS DRAWING CONTAINS INFORMATION THAT IS PROPRIETARY TO MOLEX ELECTRONIC TECHNOLOGIES, LLC AND SHOULD NOT BE USED WITHOUT WRITTEN PERMISSION		CURRENT REV DESC: SEE REVISION TABLE	
$\overline{A}$ = 0	DIMENSION UNITS	SCALE	EC NO: 707270		
$\overline{C}$ = 0	mm	4:1	DRWN: CHETHH2 2022/04/18		
$\overline{P}$ = 0	GENERAL TOLERANCES (UNLESS SPECIFIED)		CHK'D: TKUMARKC 2022/05/25		
DIVISIONAL SYMBOLS		ANGULAR TOL ± 1.0°	APPR: SCHIEN 2022/06/01		
4 PLACES ±		INITIAL REVISION:			
3 PLACES ±		DRWN: CHETHH2 2022/04/18			
2 PLACES ± 0.15		APPR: SCHIEN 2022/06/01			
1 PLACE ± 0.25		DOCUMENT NUMBER			
0 PLACES ±		747548715			
DRAFT WHERE APPLICABLE MUST REMAIN WITHIN DIMENSIONS		THIRD ANGLE PROJECTION	DRAWING	SERIES	MATERIAL NUMBER
			C-SIZE	74754	747548715
		CUSTOMER		DOC TYPE	DOC PART
				PSD	ASY
				REVISION	A
				SHEET NUMBER	
				3 OF 5	

DOCUMENT STATUS	P1	RELEASE DATE	2022/06/01	06:40:56
-----------------	----	--------------	------------	----------

# BEZEL AND BOARD POSITION DIMENSIONS FOR SINGLE SIDED MOUNTING (SPRING FINGER) 747548715 SHOWN



# BEZEL AND BOARD POSITION DIMENSIONS FOR BELLY TO BELLY MOUNTING (SPRING FINGER) 747548715 SHOWN



**NOTES:**

1. PCB THICKNESS VARIATION MUST BE CONSIDERED WHEN DETERMINING BEZEL OPENING, SIZE, AND LOCATION.

<b>FUNCTIONAL SYMBOLS</b>	THIS DRAWING CONTAINS INFORMATION THAT IS PROPRIETARY TO MOLEX ELECTRONIC TECHNOLOGIES, LLC AND SHOULD NOT BE USED WITHOUT WRITTEN PERMISSION											
$\frac{F}{A} = 0$	DIMENSION UNITS	SCALE	CURRENT REV DESC: SEE REVISION TABLE							<b>molex</b>		
$\frac{F}{C} = 0$	mm	2:1										
$\frac{F}{P} = 0$	GENERAL TOLERANCES (UNLESS SPECIFIED)									1X4 SFP+ GANGED CAGE ASY PRESS FIT TYPE, W/SUS SF AND LOW PROFILE LIGHT PIPE		
	ANGULAR TOL ± 1.0°											
<b>DIVISIONAL SYMBOLS</b>			EC NO: 707270				2022/04/18			PRODUCT CUSTOMER DRAWING		
4 PLACES ±			DRWN: CHETHH2				2022/05/25					
3 PLACES ±			CHK'D: TKUMARKC				2022/06/01			DOCUMENT NUMBER <b>747548715</b>		
2 PLACES ± 0.15			APPR: SCHIEN				INITIAL REVISION:					PSD
1 PLACE ± 0.25			DRWN: CHETHH2				2022/04/18					
0 PLACES ±			APPR: SCHIEN				2022/06/01			MATERIAL NUMBER 747548715	CUSTOMER	SHEET NUMBER 4 OF 5
DRAFT WHERE APPLICABLE MUST REMAIN WITHIN DIMENSIONS			THIRD ANGLE PROJECTION		DRAWING C-SIZE	SERIES 74754						

