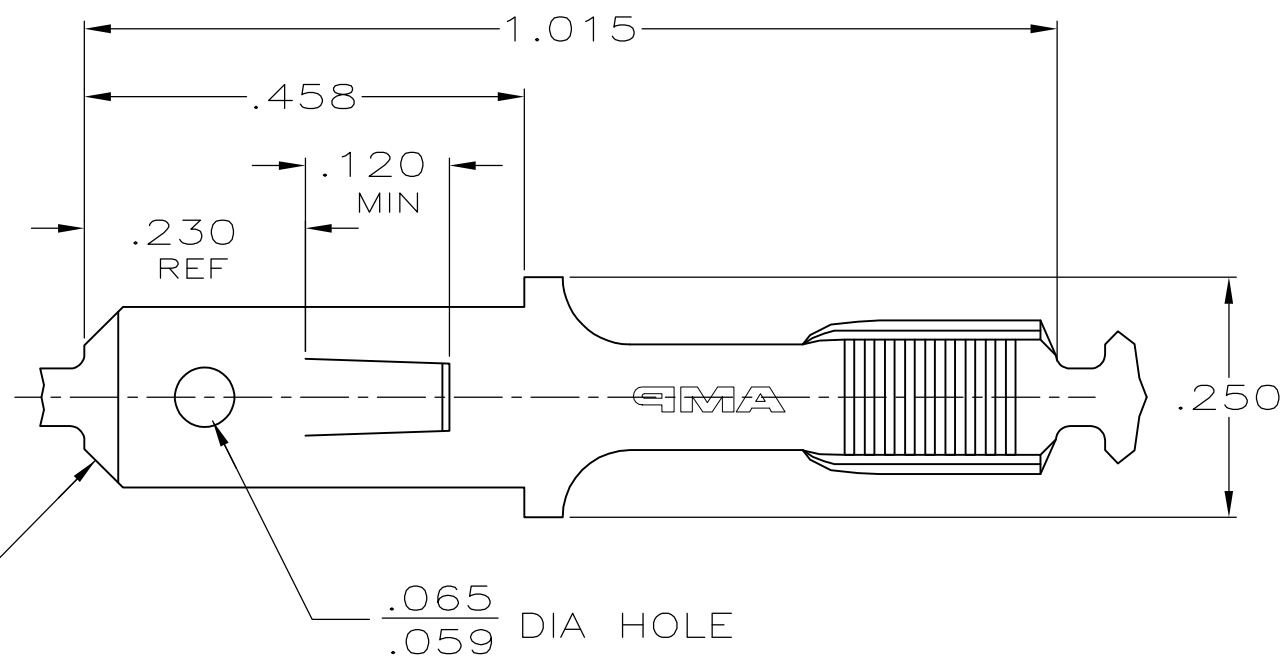


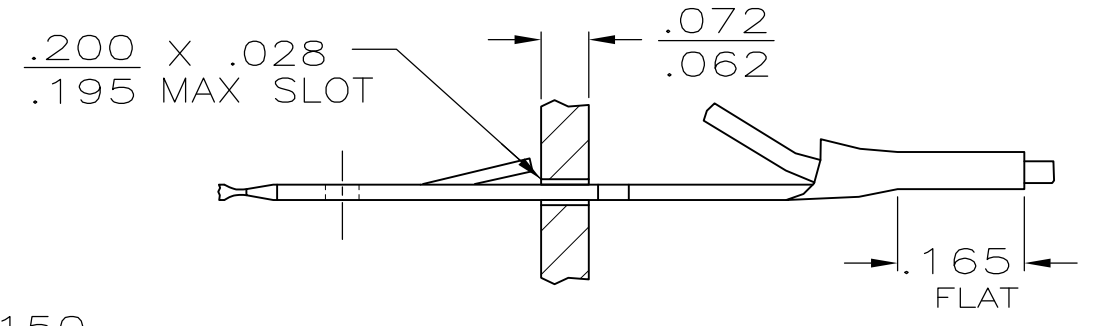
THIS DRAWING IS UNPUBLISHED. RELEASED FOR PUBLICATION  
 © COPYRIGHT - By - ALL RIGHTS RESERVED.

LOC	DIST	REVISIONS			
P	LTR	DESCRIPTION	DATE	DWN	APVD
AF	50	K1	REVISED PER ECR-15-004720	08JUN2015	GRZ RP

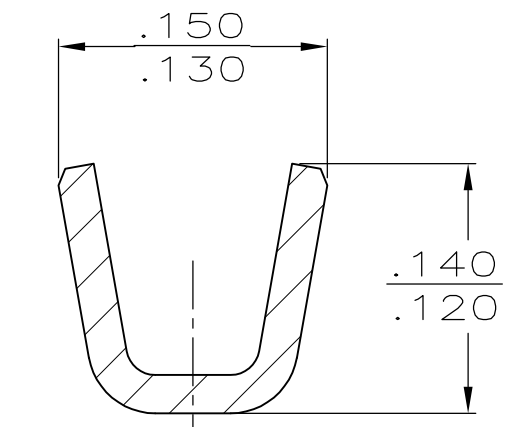
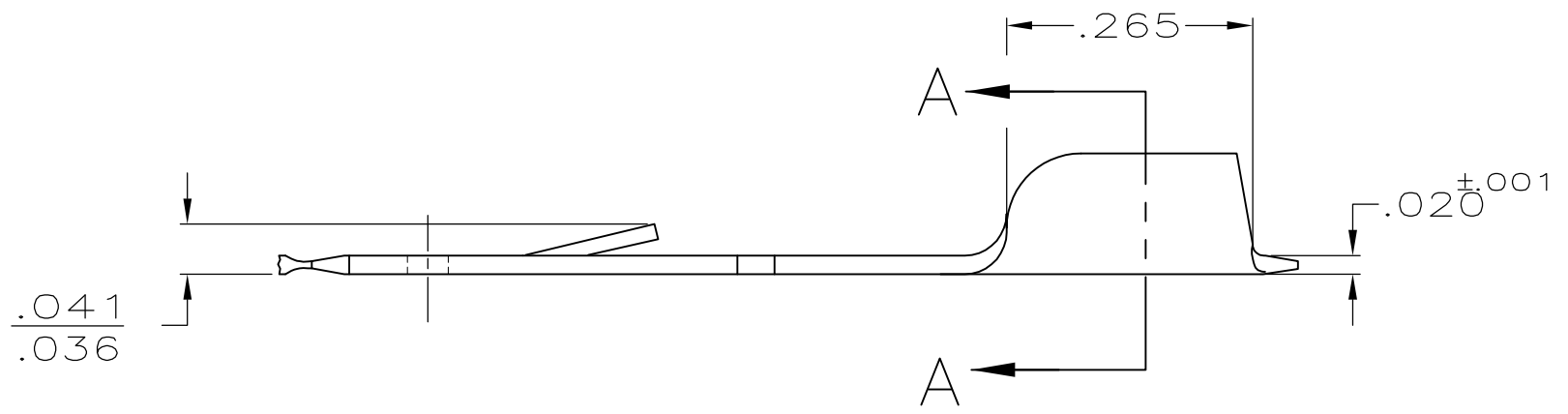
- 1 CONTINUOUS STRIP ON REELS
- 2 REVERSE REELING OF 62447-1
- 3 VARNISH RESIST



FITS .187 SERIES FASTON RECEPTACLE



INSTALLED VIEW PIGTAIL CRIMP



SECTION A-A

OBSOLETE

#22-16 MAGNET WIRE 600 - 3000 CMA	2	62447-4	
		62447-3	3
	2	62447-2	3
		62447-1	
WIRE SIZE	PART NO		

THIS DRAWING IS A CONTROLLED DOCUMENT.		DWN	JR RUTH	2/19/92	<b>STE</b> TE Connectivity		
DIMENSIONS: INCHES		CHK	MS FEHER	2/19/92			
TOLERANCES UNLESS OTHERWISE SPECIFIED:		APVD	J GILLESPIE	2/19/92	NAME		
0 PLC ± -		PRODUCT SPEC		TAB, AMPLIVAR, FASTON-FASTON, .187 SERIES			
1 PLC ± -		APPLICATION SPEC		SIZE	CAGE CODE	DRAWING NO	RESTRICTED TO
2 PLC ± -		MATERIAL		A300779		C-62447	-
3 PLC ± .015		FINISH		CUSTOMER DRAWING		SCALE	SHEET
4 PLC ± -		TIN .000080 MIN		SCALE 5:1		SHEET 1 OF 1	REV K1
ANGLES ± -							