

6

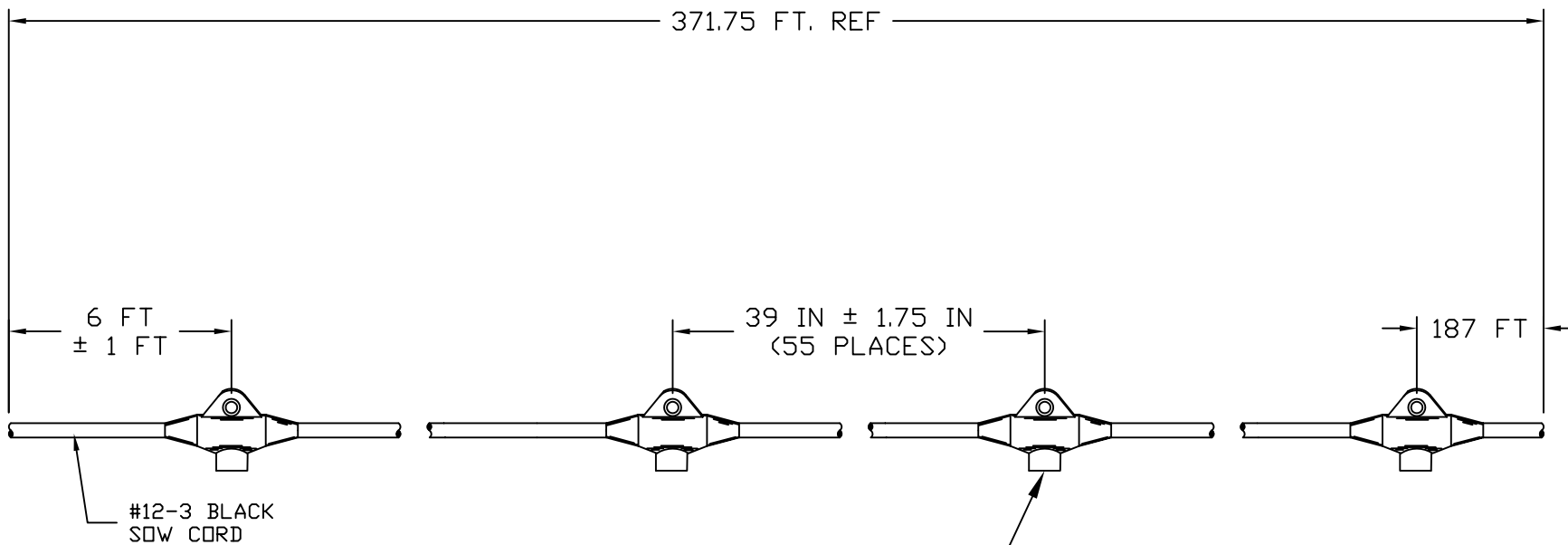
5

4

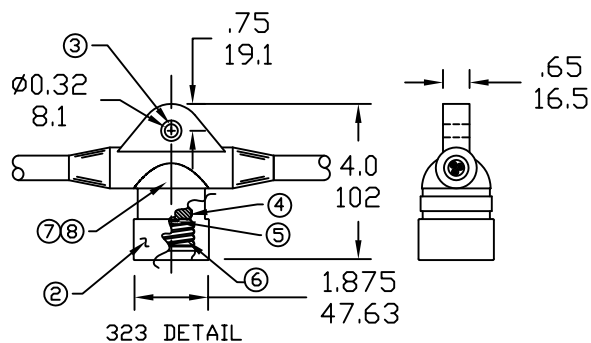
3

2

1



(56) 323 MOLDED BLACK 3-WIRE SOCKET



ITEM	DESCRIPTION	MATERIAL
1	#12-3 BLACK CABLE	SOOW/COPPER
2	MOLDED SOCKETS BLACK	NITRILE/PVC
3	EYELET	BRASS
4	BUTTON WHITE	PORCELAIN
5	RIVET	BRASS
6	SCREWSHELL	COOPER
7	1 CONDUCTOR WIRE BLACK	NEOPRENE
8	1 CONDUCTOR WIRE WHITE	NEOPRENE

**NOTE:**  
THE SOCKETS SHOULD NOT HAVE GROUND RINGS; NON-METALLIC GUARDS SHOULD BE USED.

RELEASE DRAWING EC NO: WNA2011-0173 DRWN: TVICKERS 2010/10/01 CHKD: HK APPR: DTITUS 2010/10/28	QUALITY SYMBOLS ▽=0 ▽/C=0	GENERAL TOLERANCES (UNLESS SPECIFIED)		DIMENSION STYLE INCH		SCALE NTS	DESIGN UNITS INCH	THIRD ANGLE PROJECTION	
			mm	INCH	DRAWN BY DATE	TITLE			
		4 PLACES	±---	±---	TVICKERS 2010/10/01	STRINGLIGHT 371.75 FT (56) 323@39IN CENTERS 6' LEAD & 187' TAIL			
		3 PLACES	±---	±.005	CHECKED BY DATE				
2 PLACES	±0.13	±.010	HK 2010/10/01	MOLEX INCORPORATED					
1 PLACE	±0.25	±.020	APPROVED BY DATE						
ANGULAR ±.5°		DRAFT WHERE APPLICABLE MUST REMAIN WITHIN DIMENSIONS		MATERIAL NO. 1301060163		DOCUMENT NO. SD-130106-023		SHEET NO. 1 OF 1	
A	REV	SIZE A		THIS DRAWING CONTAINS INFORMATION THAT IS PROPRIETARY TO MOLEX INCORPORATED AND SHOULD NOT BE USED WITHOUT WRITTEN PERMISSION					

6

5

4

3

2

1