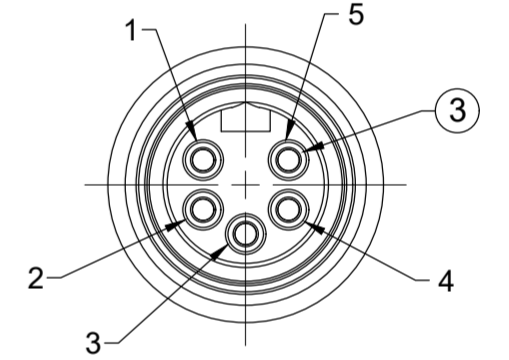
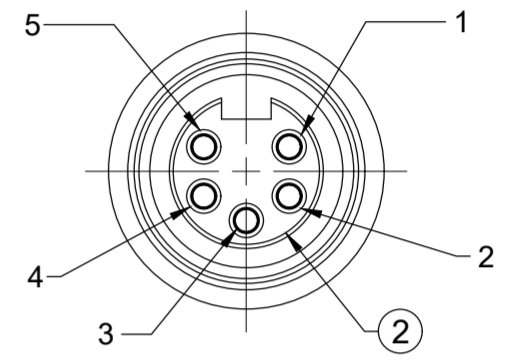
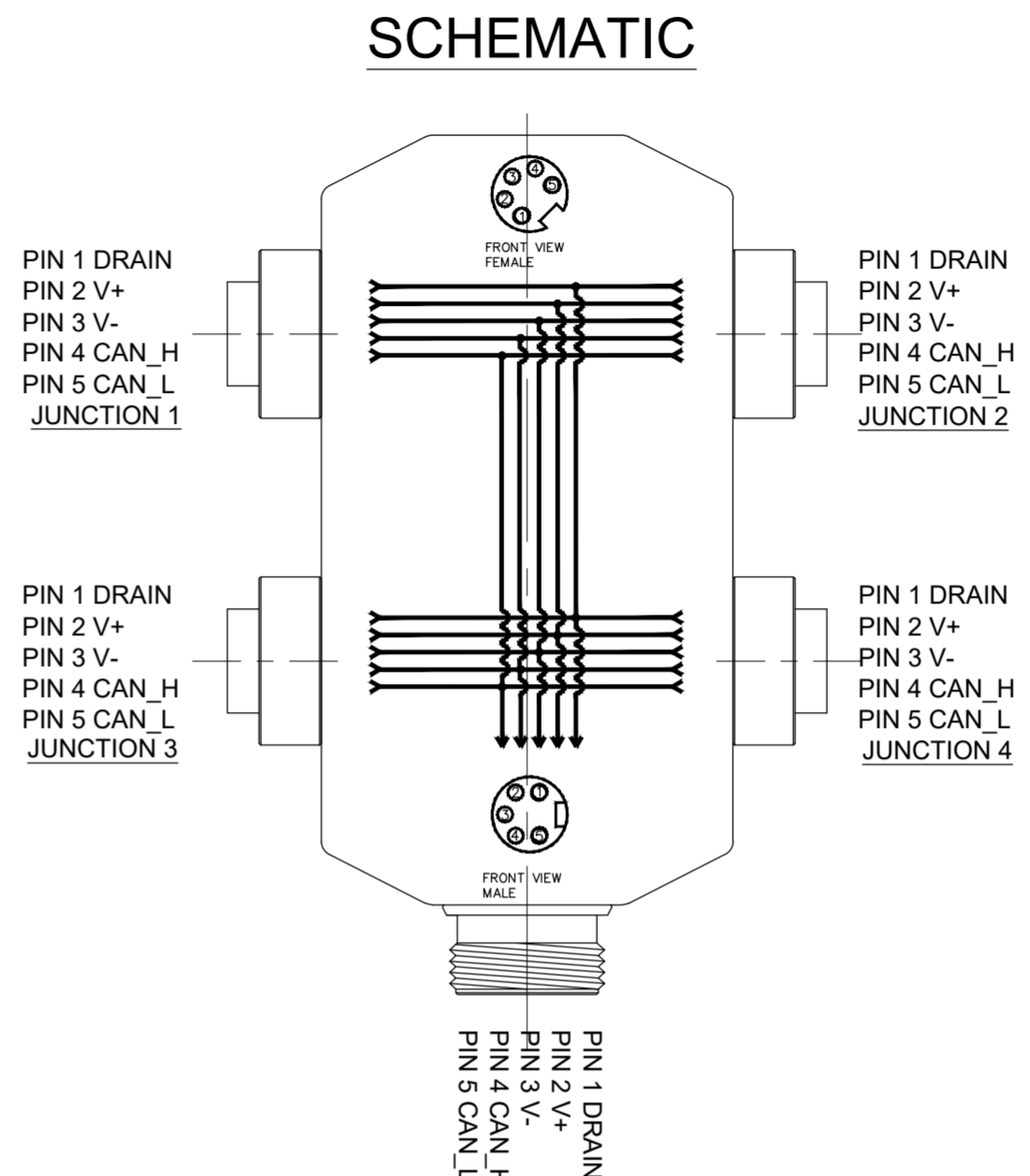
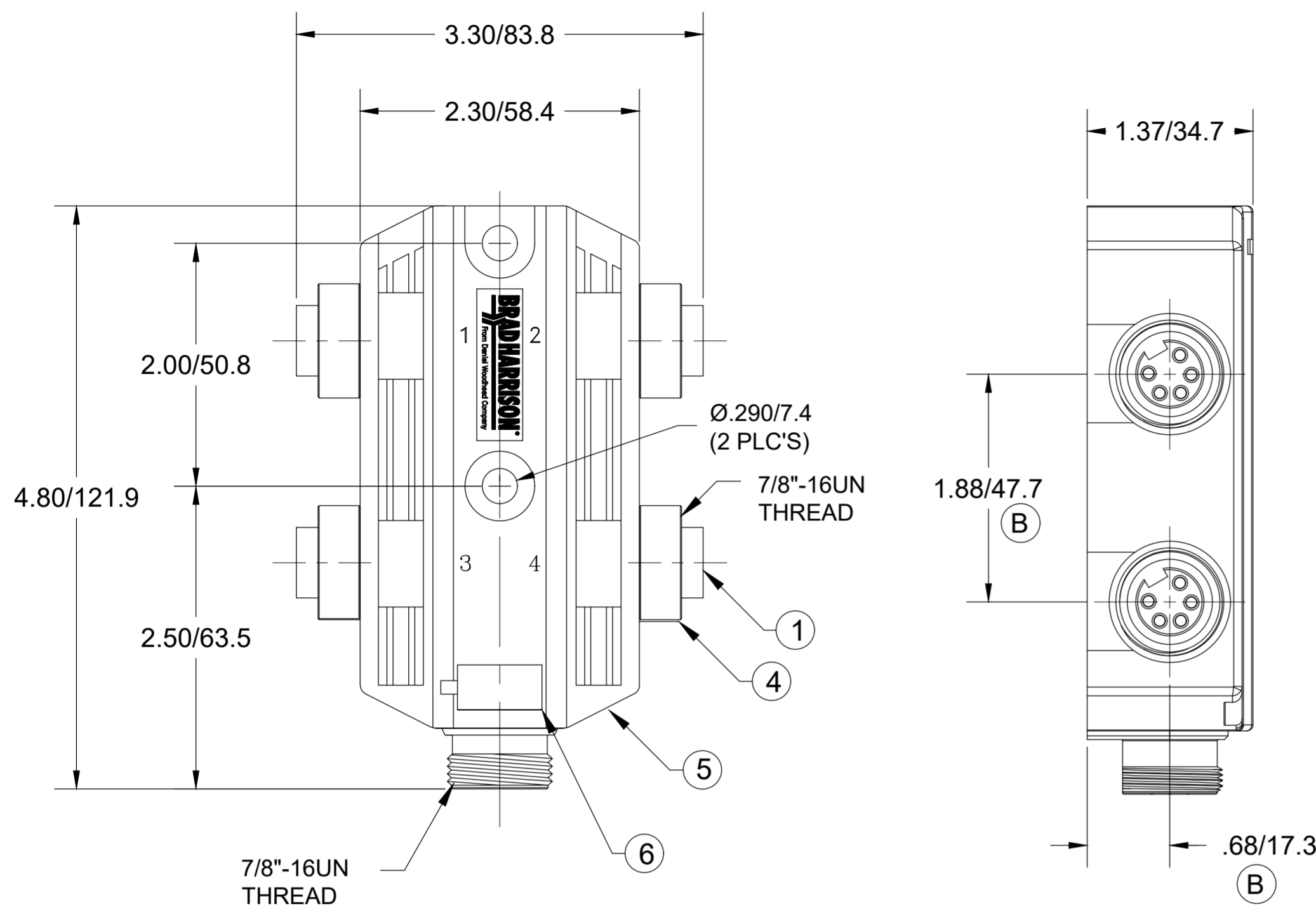
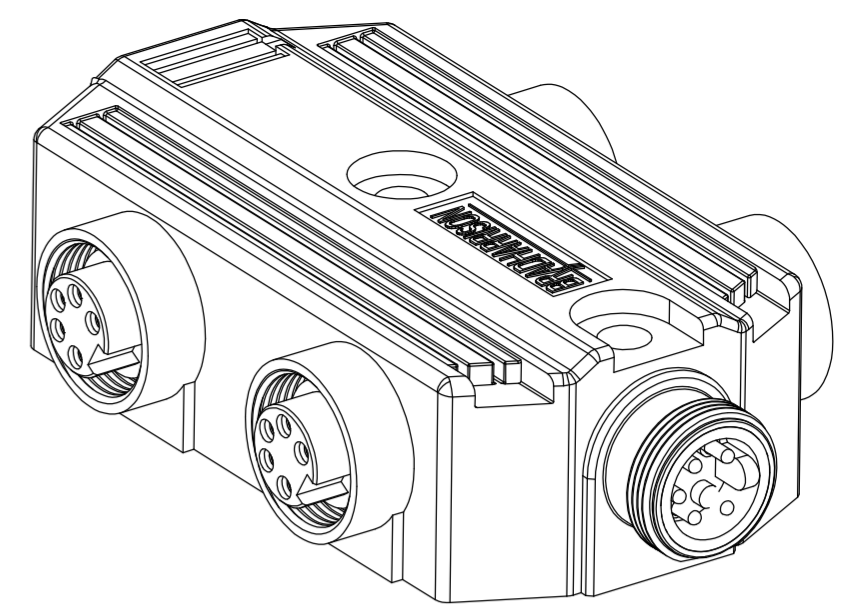


|                 |                    |
|-----------------|--------------------|
| MATERIAL NUMBER | ENGINEERING NUMBER |
| 1300360005      | DN4000             |



- NOTES:
- MATERIAL: AS NOTED
  - FINISH: AS NOTED
  - ELECTRICAL:  
VOLTAGE RATING: 120 VAC/VDC  
CURRENT: 7A
  - TEMP RATING: 0° TO +60°C
  - PROTECTION: IP67 (WHEN MATED)
  - COUPLING THREAD- AS NOTED
  - UL LISTED FILE: E152210 (B)  
CSA CERTIFIED FILE: LR6837
  - ALL DIMENSIONS ARE FOR REFERENCE UNLESS TOLERANCED OR NOTED OTHERWISE

| ITEM | COMPONENT        | MATERIAL      | FINISH           |
|------|------------------|---------------|------------------|
| 1    | INSERT           | TPE           | GRAY             |
| 2    | CONTACT SOCKET   | COPPER ALLOY  | GOLD OVER NICKEL |
| 3    | CONTACT PIN      | COPPER ALLOY  | GOLD OVER NICKEL |
| 4    | RECEPTACLE SHELL | ZINC DIE CAST | BLACK E-COATED   |
| 5    | HOUSING          | PBT           | BLACK            |
| 6    | LABEL            | ABS           | WHITE            |
|      | POTTING MATERIAL | EPOXY         | BLACK            |

THIS DRAWING CONTAINS INFORMATION THAT IS PROPRIETARY TO MOLEX ELECTRONIC TECHNOLOGIES, LLC AND SHOULD NOT BE USED WITHOUT WRITTEN PERMISSION

FUNCTIONAL SYMBOLS: FA=0, FC=0, FP=0

DIMENSION UNITS: INCH/MM, SCALE: NTS

GENERAL TOLERANCES (UNLESS SPECIFIED): 4 PLACES ±---, 3 PLACES ±---, 2 PLACES ±---, 1 PLACE ±---, 0 PLACES ±---

ANGULAR TOL ± --- °

DRAFT WHERE APPLICABLE MUST REMAIN WITHIN DIMENSIONS

THIRD ANGLE PROJECTION

DRAWING: C-SIZE

SERIES: 130036

DOCUMENT NUMBER: SD-130036-001

DOC TYPE/DOC PART: PSD 001

REVISION: B

SHEET NUMBER: 1 OF 1

EC NO: 645633  
DRWN: ABENJAMINLW 2020/09/09  
CHK'D: RSTONE 2020/09/29  
APPR: BWOODMAN 2020/10/23

INITIAL REVISION:  
DRWN: BWOODMAN 2009/03/17  
APPR: JFMURPHY 2009/03/31

CUSTOMER: GENERAL MARKET