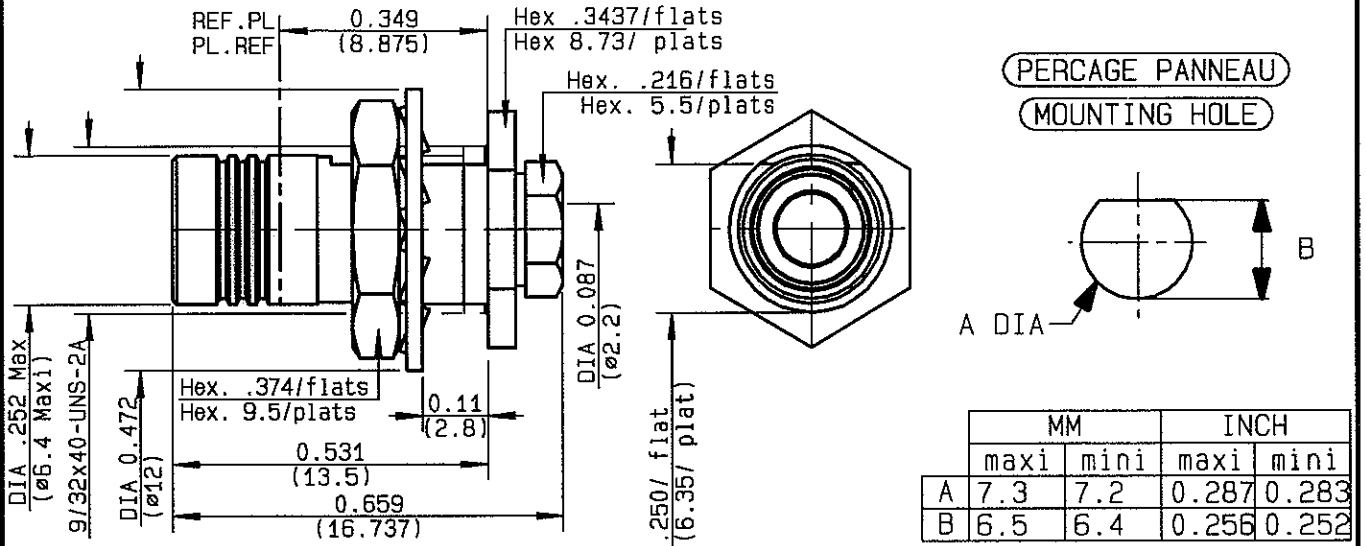


**STRAIGHT PLUG REAR MOUNTING  
CLAMP TYPE CABLE 2/50 S**

**R116.003.900**  
SERIES SUBGLIS



|                                 |                        |                        |
|---------------------------------|------------------------|------------------------|
| NOMINAL IMPEDANCE               | 50                     | Ω                      |
| FREQUENCY RANGE                 | 0-4                    | GHz                    |
| TEMPERATURE RATING              | -65/+165               | °C                     |
| V.S.W.R                         | 1.3 + .04 x F(GHz)Maxi |                        |
| RF INSERTION LOSS               | 0.25 √F(GHz)           | dB Maxi                |
| VOLTAGE RATING                  | 250                    | Veff Maxi              |
| DIELECTRIC WITHSTANDING VOLTAGE | 750                    | Veff Mini              |
| INSULATION RESISTANCE           | 1000                   | MΩMini                 |
| HERMETIC SEAL                   | NA                     | Atm.cm <sup>3</sup> /s |
| LEAKAGE (pressurized only)      | NA                     |                        |
| MECHANICAL DURABILITY           | 500                    | Cycles                 |
| WEIGHT                          | 4.17                   | gr                     |
| SPECIFICATION                   | 20-50-33208-00-0B      |                        |

|                            |            |           |
|----------------------------|------------|-----------|
| CABLES :                   | KX 21      |           |
|                            | RG 178     |           |
|                            | RG 178 PVC |           |
|                            | RG 196     |           |
| OTHERS CHARACTERISTICS     |            |           |
| CABLE RETENTION            | 58         | N Mini    |
| CENTER CONTACT RETENTION   |            |           |
| Axial force - mating end   | 10         | N Mini    |
| Axial force - opposite end | 10         | N Mini    |
| Torque                     | NA         | cm.N Mini |
| RECOMMENDED TORQUES        |            |           |
| Mating                     | NA         | cm.N      |
| Panel nut                  | 100        | cm.N      |
| Clamp nut                  | 70         | cm.N      |

| CONNECTOR PARTS | MATERIALS        | FINISH                   | (all values are given in micrometers) |
|-----------------|------------------|--------------------------|---------------------------------------|
| BODY            | BRASS            | GOLD 0.5 OVER COPPER 2.5 |                                       |
| OUTER CONTACT   | BRONZE           | GOLD 0.5 OVER COPPER 2.5 |                                       |
| CENTER CONTACT  | BERYLLIUM COPPER | GOLD 2.5 OVER COPPER 2.5 |                                       |
| INSULATOR       | PTFE             | -                        |                                       |
| GASKET          | -                | -                        |                                       |
| OTHERS PIECES   | BRASS            | GOLD 0.5 OVER COPPER 2.5 |                                       |

|         |               |                  |
|---------|---------------|------------------|
| ISSUE   | CREATION DATE | FILE PART-NUMBER |
| 9731A00 | 15-APR-97     | 93-0624-006      |



FANJAT

The information given here is subject to change without notice. Design changes may be in order to improve the product.

Connect to the future

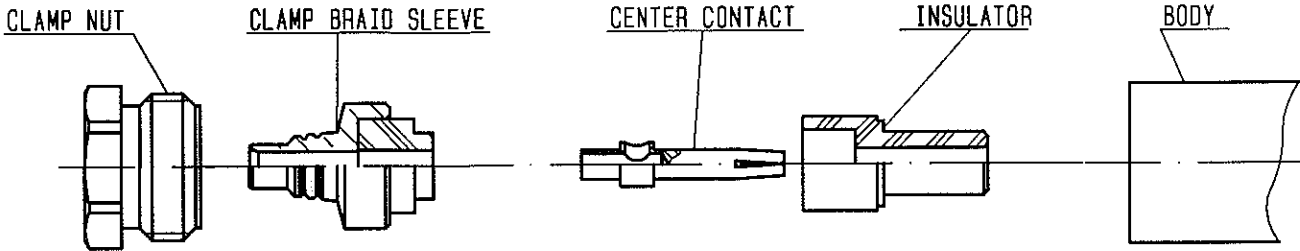


**RADIALL**<sup>®</sup>

**R116.003.900**

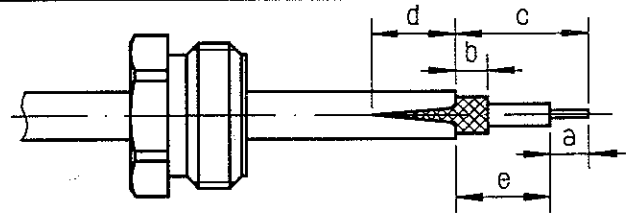
ISSUE 9731A00

SERIES  
SUBGLIS



①

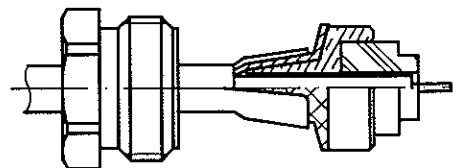
Slide clamp nut onto cable .  
Strip the cable .  
Cut 2 slots in the jacket  
if necessary .  
-



| Stripping | a     | b     | c     | d     | e     |
|-----------|-------|-------|-------|-------|-------|
| inch      | 0.079 | 0.039 | 0.157 | 0.126 | 0.079 |
| mm        | 2     | 1     | 4     | 3.2   | 2     |

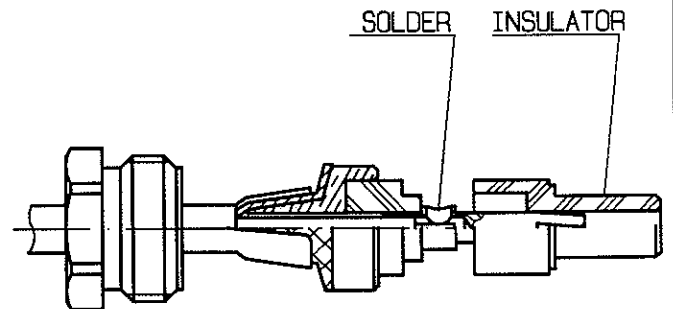
②

Slide the clamp braid sleeve between  
cable dielectric and braid .  
Cut the braid flush with the clamp  
braid sleeve .  
-  
-  
-  
-



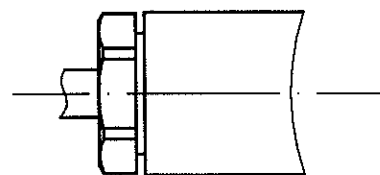
③

Solder center contact onto cable  
center conductor .  
Mount the insulator .  
Slide back nut over clamp assembly .  
-  
-  
-  
-



④

Screw sub-assembly into the connector  
body .  
( recommended coupling torque 70 N.cm )  
6.19 in.lb  
-



Hex. : 5.5 mm /flats  
Hex. : 0.217inch /flats