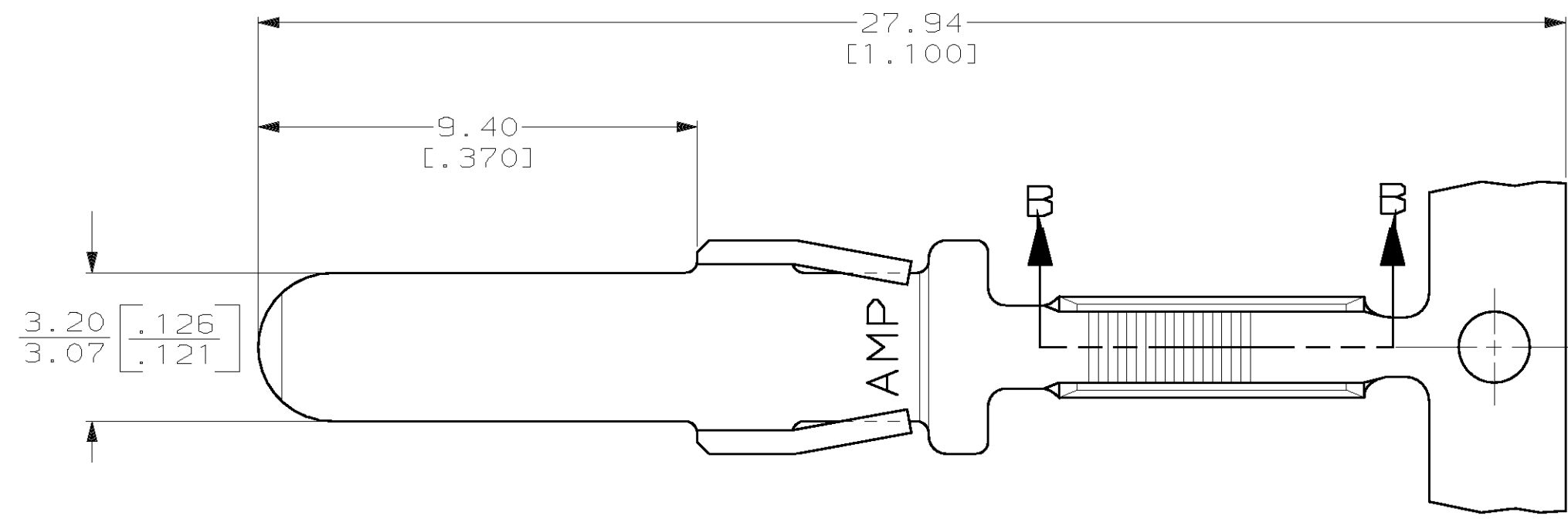
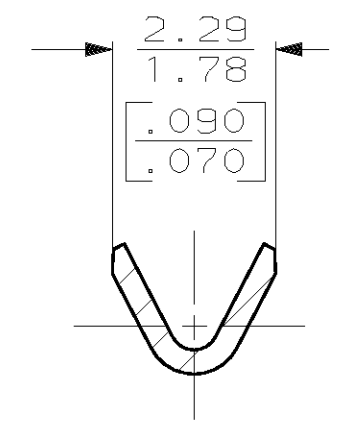
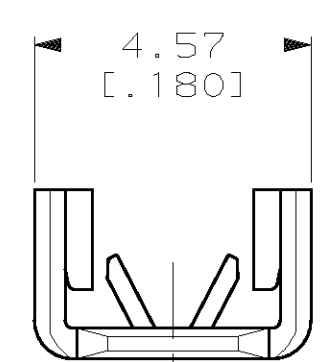
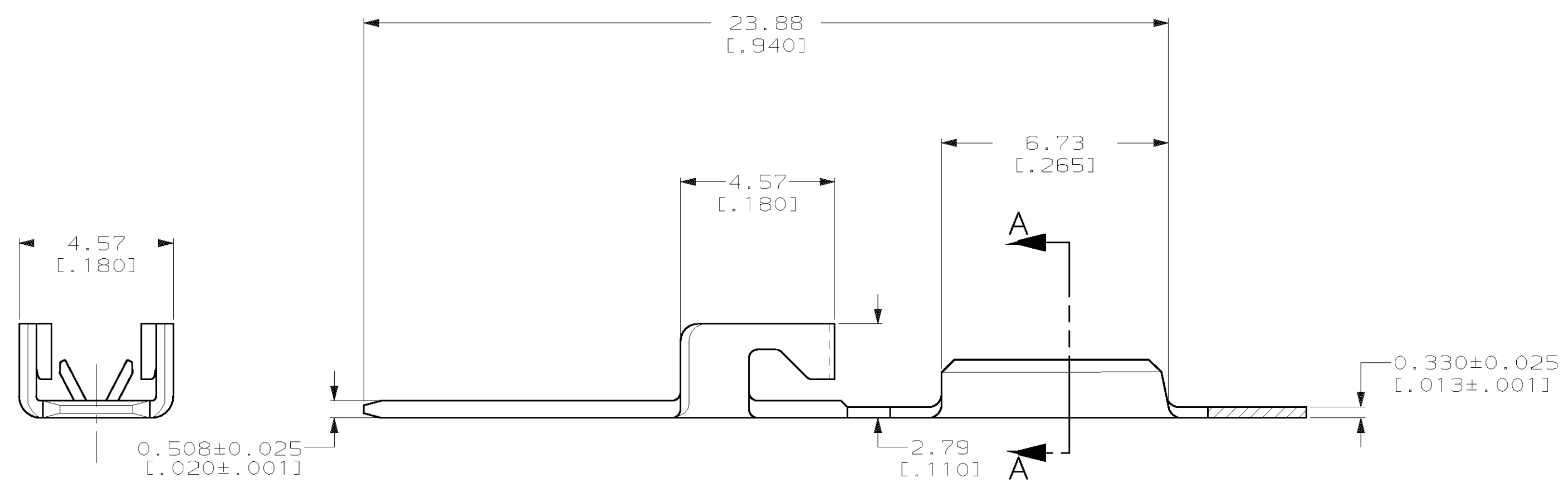


THIS DRAWING IS UNPUBLISHED. RELEASED FOR PUBLICATION ,19 .  
 © COPYRIGHT 19 BY AMP INCORPORATED. ALL INTERNATIONAL RIGHTS RESERVED.

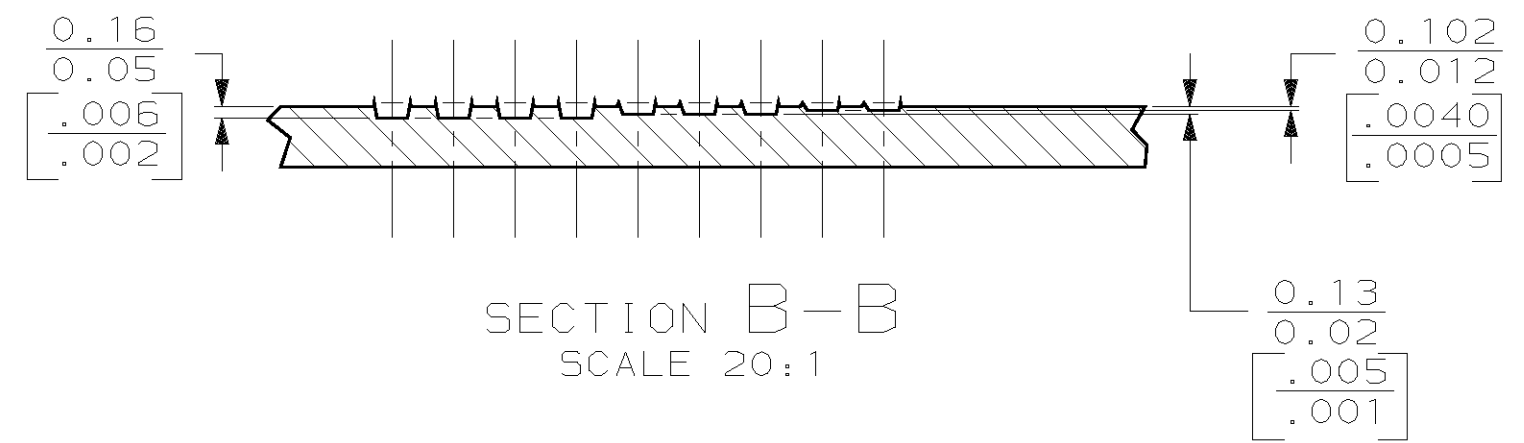
LOC		DIST		REVISIONS			
ZONE	LTR	DESCRIPTION	DATE	APPD			
AF	50			E	REV PER 0G1A-0048-99	04JUN99	JR/DD



1 CONTINUOUS STRIP ON REEL.



SECTION A-A  
SCALE 10:1



SECTION B-B  
SCALE 20:1

200-850 CMA	1217072-1
WIRE RANGE	PART NO

DO NOT SCALE PRINT. UNLESS SPECIFIED DIMENSIONS IN mm [INCHES] TOLERANCES ON: 2 PLC DEC ± 0.25 [.010] 3 PLC DEC ± - ANGLES ± -	DR 3/10/98 JR RUTH	AMP Incorporated Harrisburg, PA 17105-3608	
	CHK 3/10/98 P FORTNEY		
MATERIAL 4M BRASS	APPD 3/10/98 DON DECKER	NAME CONTACT, 3.18 [.125] BLADE, AMPLIVAR	
FINISH 0.002032 [.000080] MIN TIN PL PER MIL-T-10727	APPD 3/10/98 D BRATINA	PRODUCT SPEC -	
	APPLICATION SPEC -	SIZE C 00779	CAGE CODE C=1217072
	WEIGHT -	SCALE 8:1	DRAWING NO SHEET 1 OF 1

THIS DRAWING IS A CONTROLLED DOCUMENT FOR AMP INCORPORATED. IT IS SUBJECT TO CHANGE AND THE CONTROLLING ENGINEERING ORGANIZATION SHOULD BE CONTACTED FOR THE LATEST REVISION.