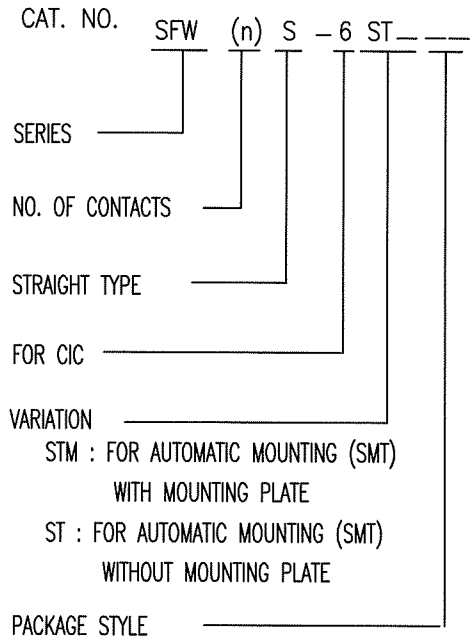


CAT. NO. & DIMENSIONS

NOTE3	NO. OF CONTACTS (n)	CAT. NO.	DIMENSIONS (NOTE2)		
			A ±0.2	B ±0.2	C ±0.2
	4	SFW4S-6ST____	10.4	5.24	3
	5	SFW5S-6ST____	11.4	6.24	4
	6	SFW6S-6ST____	12.4	7.24	5
*	7	SFW7S-6ST____	13.4	8.24	6
	8	SFW8S-6ST____	14.4	9.24	7
*	9	SFW9S-6ST____	15.4	10.24	8
	10	SFW10S-6ST____	16.4	11.24	9
	11	SFW11S-6ST____	17.4	12.24	10
*	12	SFW12S-6ST____	18.4	13.24	11
	13	SFW13S-6ST____	19.4	14.24	12
	14	SFW14S-6ST____	20.4	15.24	13
	15	SFW15S-6ST____	21.4	16.24	14
	16	SFW16S-6ST____	22.4	17.24	15
	17	SFW17S-6ST____	23.4	18.24	16
*	18	SFW18S-6ST____	24.4	19.24	17
*	19	SFW19S-6ST____	25.4	20.24	18
	20	SFW20S-6ST____	26.4	21.24	19
*	21	SFW21S-6ST____	27.4	22.24	20
	22	SFW22S-6ST____	28.4	23.24	21
	23	SFW23S-6ST____	29.4	24.24	22
	24	SFW24S-6ST____	30.4	25.24	23
*	25	SFW25S-6ST____	31.4	26.24	24
	26	SFW26S-6ST____	32.4	27.24	25
*	27	SFW27S-6ST____	33.4	28.24	26
	28	SFW28S-6ST____	34.4	29.24	27
	29	SFW29S-6ST____	35.4	30.24	28
	30	SFW30S-6ST____	36.4	31.24	29
*	31	SFW31S-6ST____	37.4	32.24	30
*	32	SFW32S-6ST____	38.4	33.24	31



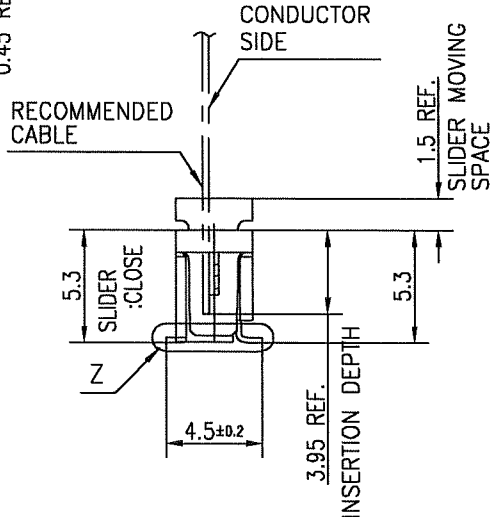
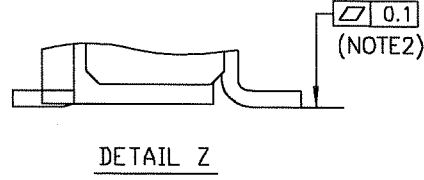
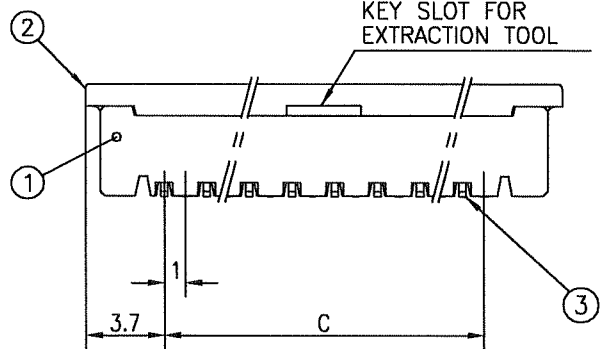
NOTES

1. THIS PRODUCT IS THE CONNECTOR, DESIGNED TO TERMINATE CIC AND COPES WITH AUTOMATIC MOUNTING (SMT).
2. SEE PART DRAWINGS FOR DIMENSIONS A.B.C.
3. PLEASE CONSULT US IN CASE OF USING PARTS WITH * MARK

mat'l. code		surface 58 / tolerance ISO 1302 / ISO 406 / ISO 1101		projection		product family 58SF		CODE JP	
ltr	ecn no	dr	date	tolerances unless otherwise specified		title		CAT. NO. TABLE FOR 1mm SPACING SMT CONNECTOR (CAT.No.SFW__S-6ST__)	
AA	J04-0333	H.T	2004-10-13	angles	linear	mm		scale X	
AB	J05-0547	H.T	2005-8-30			FCJ		dwg no sheet 1 of 1 size JSA 93900 A4	
AC	J06-0430	H.T	2006-10-19			type Product Customer Drawing			
AD	J07-0407	H.T	2007-8-9	dr	2007-8-9				
				enr	2007-8-9				
				chr	2007-8-9				
				appd	2007-8-16				
sheet index	revision	AD	1						Rev AD

CIC MARK
CONDUCTOR SIDE MARK

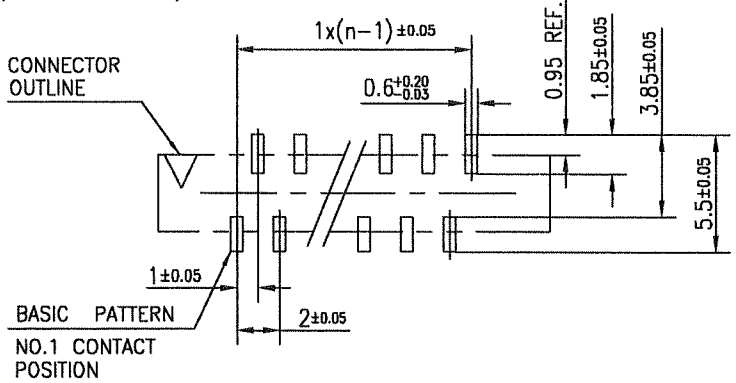
NO.1 CONTACT



PT. NO.	PARTS NAME	MATERIAL	Q'TY	NOTE
1	HOUSING	GLASS FILLED THERMOPLASTIC RATED.	1	COLOR:BROWN
2	SLIDER	(UL94V-0)	1	COLOR:BLACK
3	CONTACT	PHOSPHOR BRONZE	n	PLATING:TIN ALLOY

n : NO. OF CONTACTS

RECOMMENDED PC BOARD LAYOUT
(COMPONENT SIDE)



NOTES

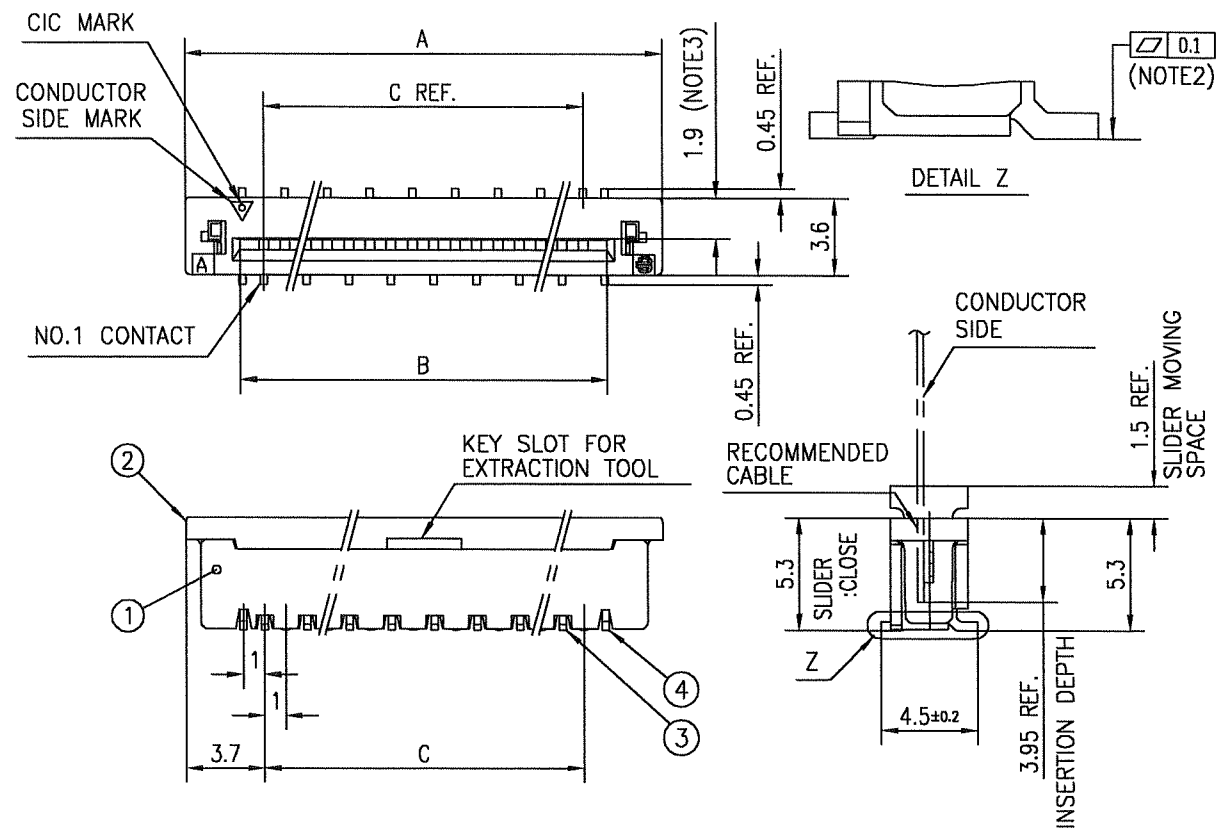
1. THIS PRODUCT IS THE CONNECTOR DESIGNED TO TERMINATE CIC AND COPES WITH AUTOMATIC MOUNTING (SMT).
2. FLATNESS OF CONTACT TERMINAL MUST BE WITHIN TOLERANCE IN Z PORTION DETAILED DRAWING.
3. THIS DIMENSION IS SPACE FOR THE NOZZLE OF MOUNTER.

mat'l. code		surface 58 / tolerance ISO 1302 / ISO 406 / ISO 1101		projection		product family 58SF		CODE JP	
ltr	ecn no	dr	date	tolerances unless otherwise specified		title			
AA	J04-0333	H.T	Oct.13/04	±0.2		1mm SPACING SURFACE MOUNT			
AB	J06-0430	H.T	10/19/06	angles	linear	CIC CONNECTOR			
						(CAT.No.SFW__S-6ST__)			
				dr	10/19/06	dwg no		sheet 1 of 1 size	
				enr	10/19/06	JSA 93905		A4	
				chr	10/19/06	type		Product Customer Drawing	
				app	10/20/06				
sheet index	revision	AB							Rev. AB
	sheet	1							



FCIconnect.com

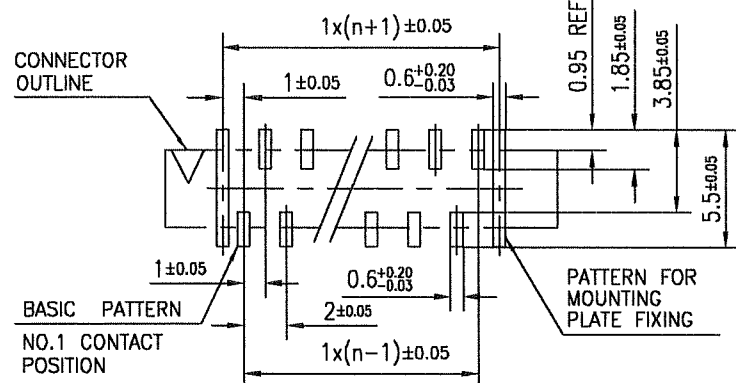
Copyright FCI.



PT. NO.	PARTS NAME	MATERIAL	Q'TY	NOTE
1	HOUSING	GLASS FILLED THERMOPLASTIC RATED. (UL94V-0)	1	COLOR: BROWN
2	SLIDER		1	COLOR: BLACK
3	CONTACT	PHOSPHOR BRONZE	n	PLATING: TIN ALLOY
4	MOUNTING PLATE	BRASS	2	

n : NO. OF CONTACTS

RECOMMENDED PC BOARD LAYOUT (COMPONENT SIDE)



NOTES

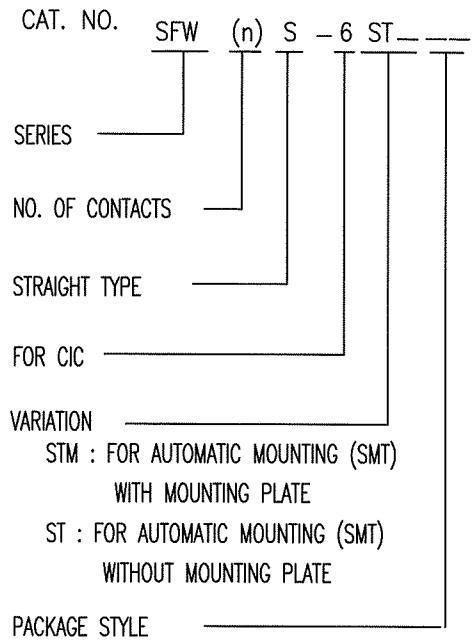
1. THIS PRODUCT IS THE CONNECTOR DESIGNED TO TERMINATE CIC AND COPE WITH AUTOMATIC MOUNTING (SMT).
2. FLATNESS OF CONTACT TERMINAL AND MOUNTING PLATE MUST BE WITHIN TOLERANCE IN Z PORTION DETAILED DRAWING.
3. THIS DIMENSION IS SPACE FOR THE NOZZLE OF MOUNTER.

mat'l. code				surface 58 / tolerance ISO 1302 / ISO 406 / ISO 1101		projection		product family		CODE JP	
ltr ecn no dr date				tolerances unless otherwise specified		mm		title			
AA J04-0333 H.T Oct.13/04				angles linear ±0.2		mm		1mm SPACING SURFACE MOUNT CIC CONNECTOR (CAT.No.SFW__S-6STM__)			
AB J06-0430 H.T 10/19/06						scale		dwg no		sheet of size	
				dr 10/19/06		FCJ		JSA 93901		A4	
				engr 10/19/06				type Product Customer Drawing			
				chr R. Showe 10/19/06							
				appd S. Hudson 10/20/06							
sheet index		revision AB sheet 1								Rev. AB	

Copyright FCI. FCIconnect.com

CAT. NO. & DIMENSIONS

(NOTE4)	NO. OF CONTACTS (n)	CAT. NO. (NOTE2)	DIMENSIONS (NOTE3)		
			D ± 5	E ± 0.3	F ± 0.1
	4	SFW4S-6ST_E1	28.4	24	—
	5	SFW5S-6ST_E1	28.4	24	—
	6	SFW6S-6ST_E1	28.4	24	—
*	7	SFW7S-6ST_E1	28.4	24	—
	8	SFW8S-6ST_E1	28.4	24	—
*	9	SFW9S-6ST_E1	28.4	24	—
	10	SFW10S-6ST_E1	28.4	24	—
	11	SFW11S-6ST_E1	28.4	24	—
*	12	SFW12S-6ST_E1	36.4	32	28.4
	13	SFW13S-6ST_E1	36.4	32	28.4
	14	SFW14S-6ST_E1	36.4	32	28.4
	15	SFW15S-6ST_E1	36.4	32	28.4
	16	SFW16S-6ST_E1	48.4	44	40.4
	17	SFW17S-6ST_E1	48.4	44	40.4
*	18	SFW18S-6ST_E1	48.4	44	40.4
*	19	SFW19S-6ST_E1	48.4	44	40.4
	20	SFW20S-6ST_E1	48.4	44	40.4
*	21	SFW21S-6ST_E1	48.4	44	40.4
	22	SFW22S-6ST_E1	48.4	44	40.4
	23	SFW23S-6ST_E1	48.4	44	40.4
	24	SFW24S-6ST_E1	48.4	44	40.4
*	25	SFW25S-6ST_E1	48.4	44	40.4
	26	SFW26S-6ST_E1	48.4	44	40.4
*	27	SFW27S-6ST_E1	60.4	56	52.4
	28	SFW28S-6ST_E1	60.4	56	52.4
	29	SFW29S-6ST_E1	60.4	56	52.4
	30	SFW30S-6ST_E1	60.4	56	52.4
*	31	SFW31S-6ST_E1	60.4	56	52.4
*	32	SFW32S-6ST_E1	60.4	56	52.4

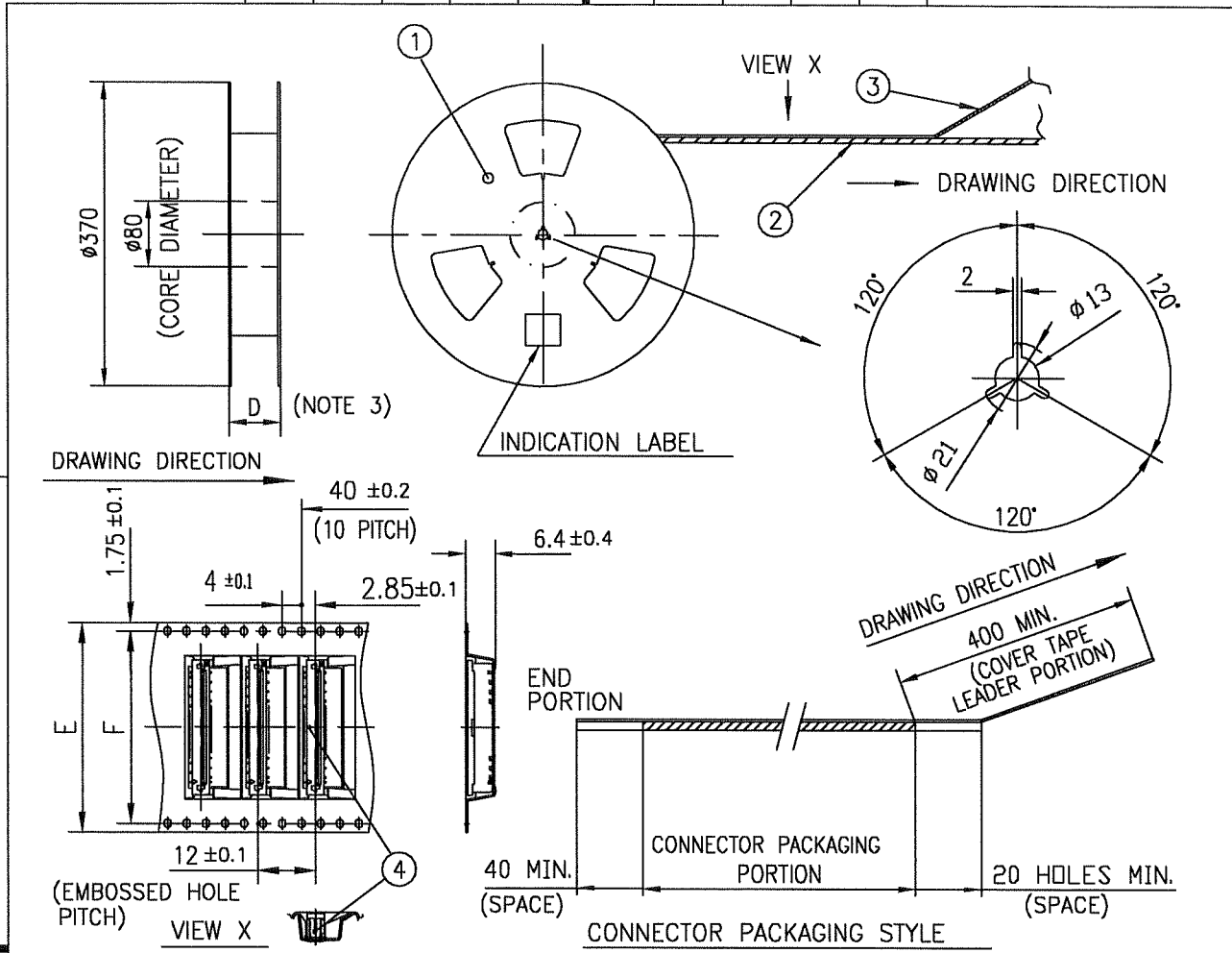


NOTES

1. THIS PRODUCT IS THE CONNECTOR DESIGNED TO TERMINATE CIC AND COPE WITH AUTOMATIC MOUNTING (SMT).
2. THIS CATALOG NO. INDICATES PLASTIC TAPE PACKAGED CONNECTOR.
3. SEE PART DRAWINGS FOR DIMENSIONS D~F.
4. PLEASE CONSULT US IN CASE OF USING PARTS WITH * MARK.

FCJ
 FCconnect.com
 Copyright FCJ.

mat'l. code				surface 58 / tolerance ISO 1302 ✓ / ISO 406 / ISO 1101		projection		product family 58SF		CODE JP	
ltr ecn no dr date				tolerances unless otherwise specified		mm		title			
AA J04-0333 H.T 2004-10-13				angles linear		scale X		CAT. NO. TABLE FOR PLASTIC TAPE PACKAGED 1mm SPACING SMT CONN. (CAT.No.SFW__S-6ST_E1)			
AB J05-0547 H.T 2005-8-30						FCJ		dwg no		sheet 1 of 1 size	
AC J06-0430 H.T 2006-10-19				dr				JSA 93902		A4	
AD J07-0407 H.T 2007-8-9				enr				type Product Customer Drawing			
				chr							
				app							
sheet index		revision sheet		AD 1						Rev AD	



PT. NO.	PARTS NAME	CAT. NO.	MATERIAL	Q'TY	NOTE
1	REEL	_____	CARDBOARD	1	COLOR:GRAY
2	PLASTIC (EMBOSS) TAPE	_____	PET	_____	COLOR:TRANSPARENCY
3	COVER	_____	POLYESTER	_____	COLOR:TRANSPARENCY
4	CONNECTOR	SFW__S-6ST__	SEE ATTACHED DWG.	1000	_____

NOTES

1. THIS IS PLASTIC TAPE PACKAGED CONNECTOR USED FOR CIC AND COPES WITH AUTOMATIC MOUNTING (SMT).
2. SEE JIS C 0806 (PACKING OF ELECTRONIC COMPONENTS ON CONTINUOUS TAPES (SURFACE MOUNTING DEVICES)) FOR SHAPE AND DIMENSIONS OF PLASTIC (EMBOSS) TAPE AND REEL.
3. D DIMENSION IS PORTION OF THE CORE.

mat'l. code				surface 58 / tolerance ISO 1302 ✓ / ISO 406 / ISO 1101		projection		product family 58SF		CODE JP	
ltr	ecn no	dr	date	tolerances unless otherwise specified				title			
AA	J04-0333	H.T	Oct.13,'04	angles		mm		PLASTIC TAPE PACKAGED 1mm SPACING SMT CONNECTOR (CAT.No.SFW__S-6ST_E1)			
AB	J06-0430	H.T	10/19/06	linear							
				±5'		scale \times		dwg no sheet 1 of 1 size			
				dr	<i>H. Hatanaka</i>	10/19/06		JSA 93903 A4			
				enr	<i>H. Hatanaka</i>	10/19/06		type Product Customer Drawing			
				chr	<i>R. Shoun</i>	10/19/06					
				appd	<i>S. Hatanaka</i>	10/20/06					
sheet index	revision sheet	AB 1									Rev. AB

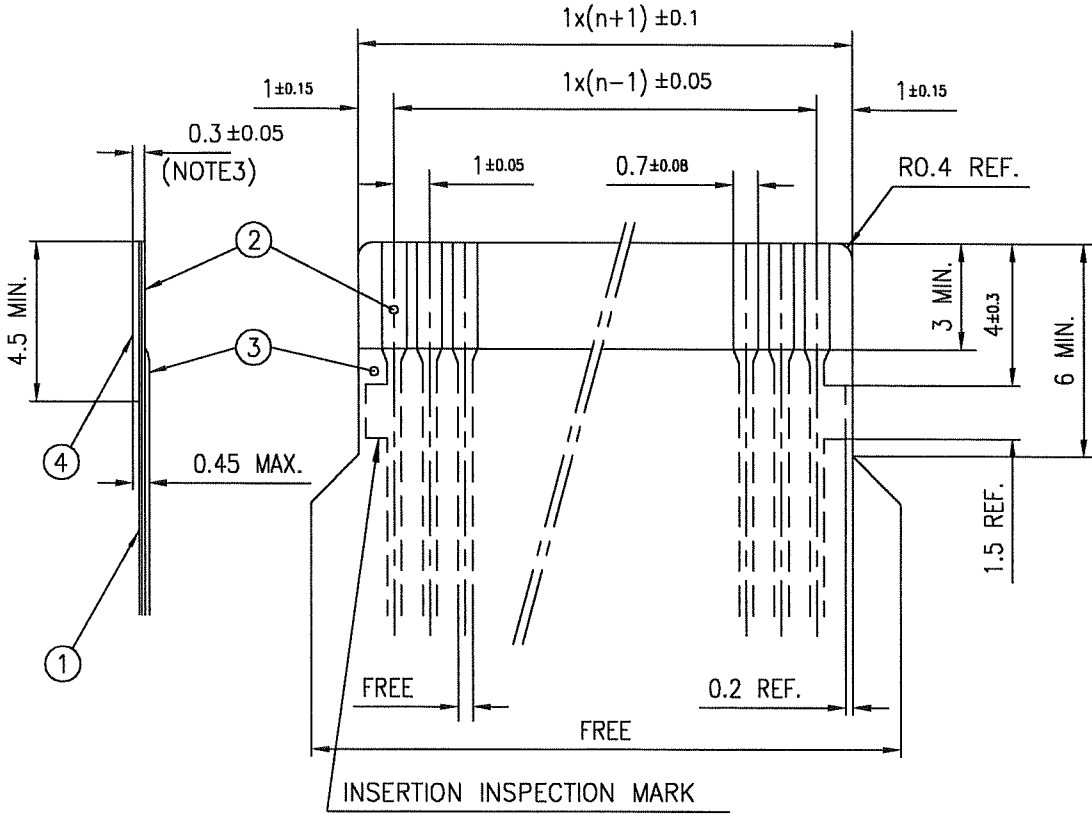


FCJconnect.com

Copyright FCI.

RECOMMENDED CABLE (CIC)

n : NO. OF CONDUCTOR



PT. NO.	PARTS NAME	MATERIAL	THICKNESS (μm)	
1	BASE FILM	POLYESTER OR EQUAL	75	25
2	CONDUCTOR	CARBON PASTE OVER SILVER PASTE	10 MIN.	
3	OVERLAY	POLYIMIDE OR POLYESTER OR EQUAL	—	
4	SUPPORTING TAPE	POLYESTER OR POLYIMIDE OR EQUAL	188	250

NOTES

1. NO BURR AT EACH PORTION.
2. NO PEELING IN COMMON USE.
3. TOTAL THICKNESS LIMIT OF EACH MATERIAL (INCLUDING ADHESIVE AGENT) IS SPECIFIED.

mat'l. code				surface 58 ISO 1302 ✓		tolerance ISO 406 ISO 1101		projection mm		product family 58SF		CODE JP	
ltr				ecn no		dr		date		title RECOMMENDED CABLE (CAT.No.SFW__S-6ST__)		sheet 1 of 1	
AA				J04-0333		H.T.		Oct.13,'04		scale X		size A4	
AB				J06-0430		H.T.		10/19/06		FCJ		JSA 93904	
										type Product Customer Drawing			
dr				10/19/06									
enr				10/19/06									
chr				10/19/06									
appd				10/20/06									
sheet index		revision sheet		AB 1								Rev. AB	

Copyright FCI.
 FCJconnect.com
 FCJ