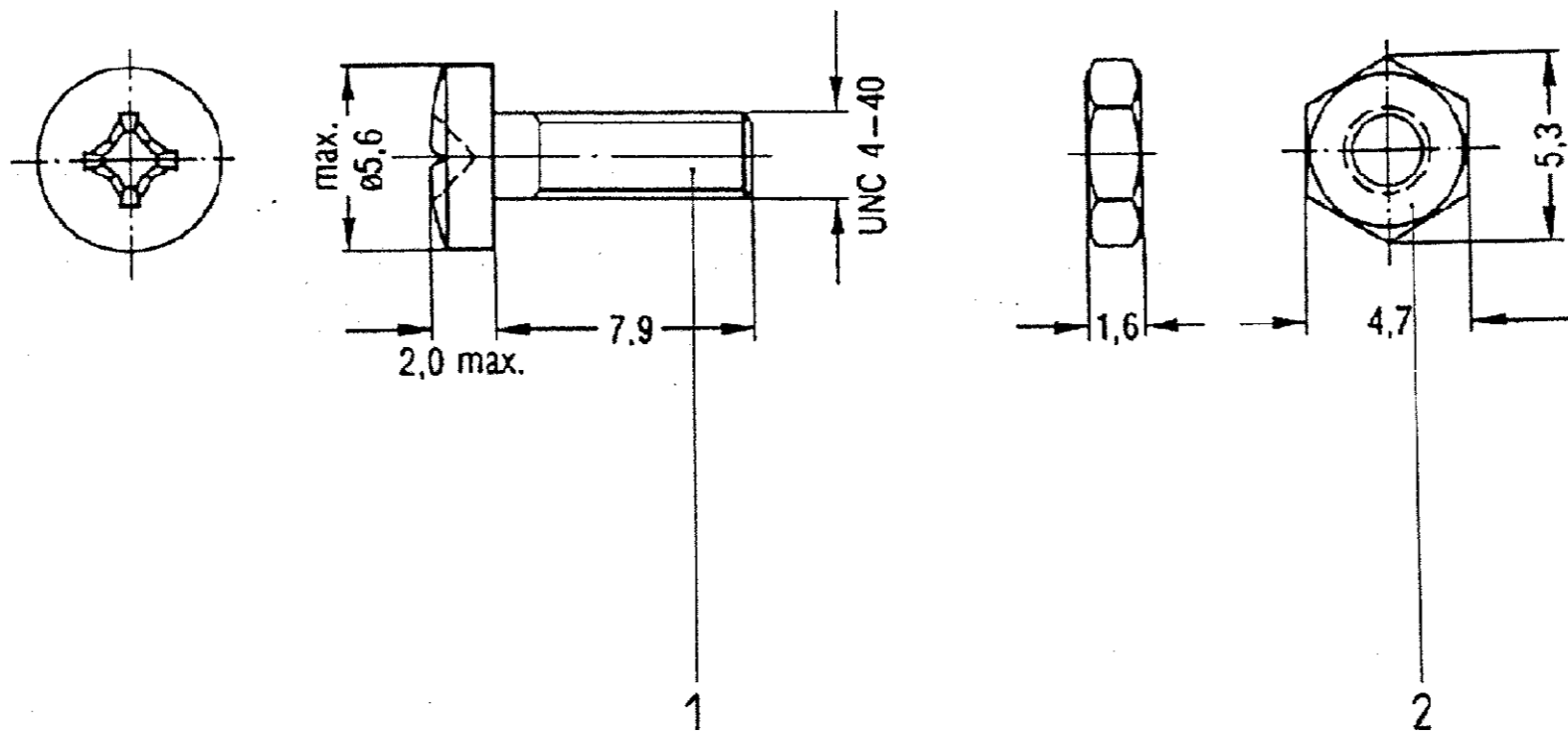


THIS INFORMATION IS CONFIDENTIAL AND PROPRIETARY TO TYCO ELECTRONICS CORPORATION AND ITS WORLDWID
 SUBSIDIARIES AND AFFILIATES. IT MAY NOT BE DISCLOSED TO ANYONE, OTHER THAN TYCO ELECTRONICS PERSONEL,
 WITHOUT WRITTEN AUTHORIZATION FROM TYCO ELECTRONICS CORPORATION, HARRISBURG, PENNSYLVANIA USA.

PROPRIETARY



NOTE:

1 OBSOLETE PARTS: OBSOLETE CIS STREAMLINING
 PER D.RENAUD/D.SINISI

Aktuelles Sachnummern.
 Kontaktieren Sie Tyco Electronics
 für Weitere Varianten

Altes Sachnummer	Tyco Sachnummer	
V42254-A162-V1	2-1393560-9	
V42254-A162-V2	3-1393560-0	OBSOLETE 1

tyco Electronics		TYCO ELECTRONICS CORPORATION		DIMENSIONS IN MM	SCALE 5:1	WEIGHT
		OOSTKAMP - BELGIUM		LOC GW	MATERIAL	
		DATE	29.09.88	PART NAME Bolzensatz		
		NAME	De Petter			
		DEP.	PD Com			
A1	ECO-09-026495	NOV09	AEG	PART NO. V42254-A162-V1-* -27		SHT.
A	WO 01/7022	19.12.00	VS			1-
01		07.10.88	DPI	Customer Drawing Nr. C 2-1393560-9		
REV.	CHANGE ORDER	DATE	APP.	OF 1		