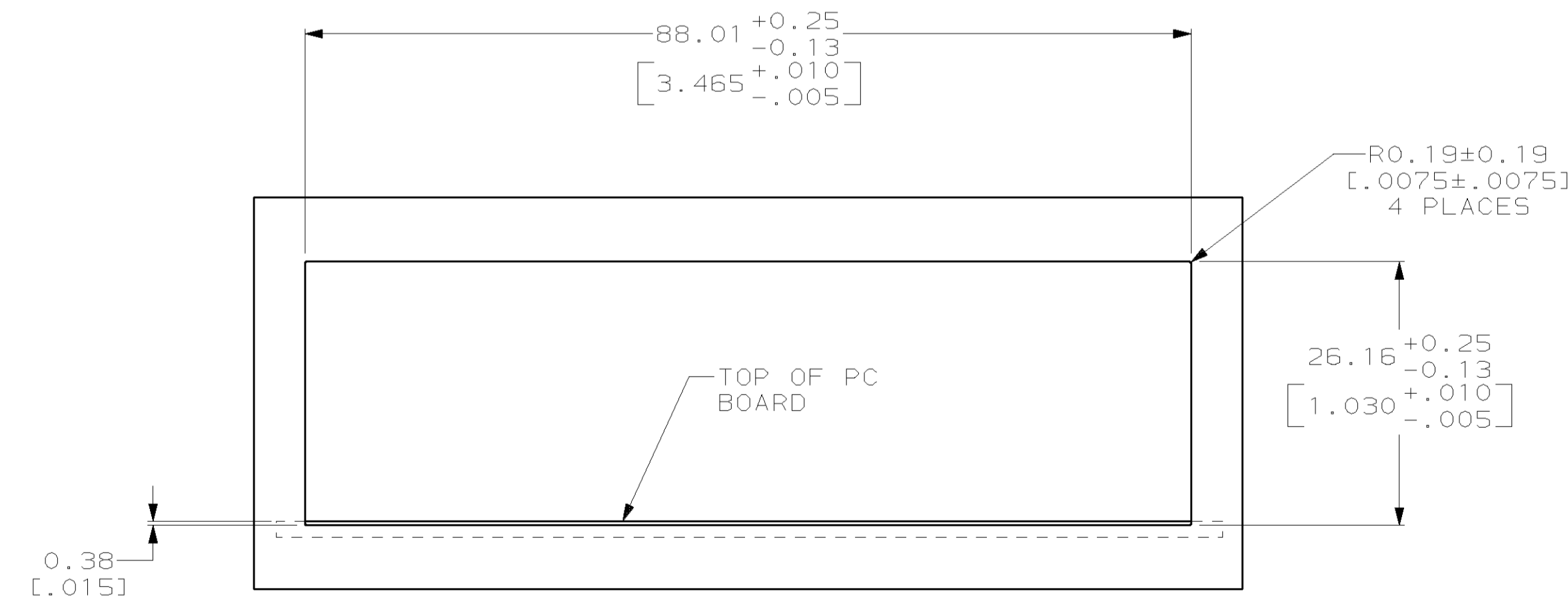
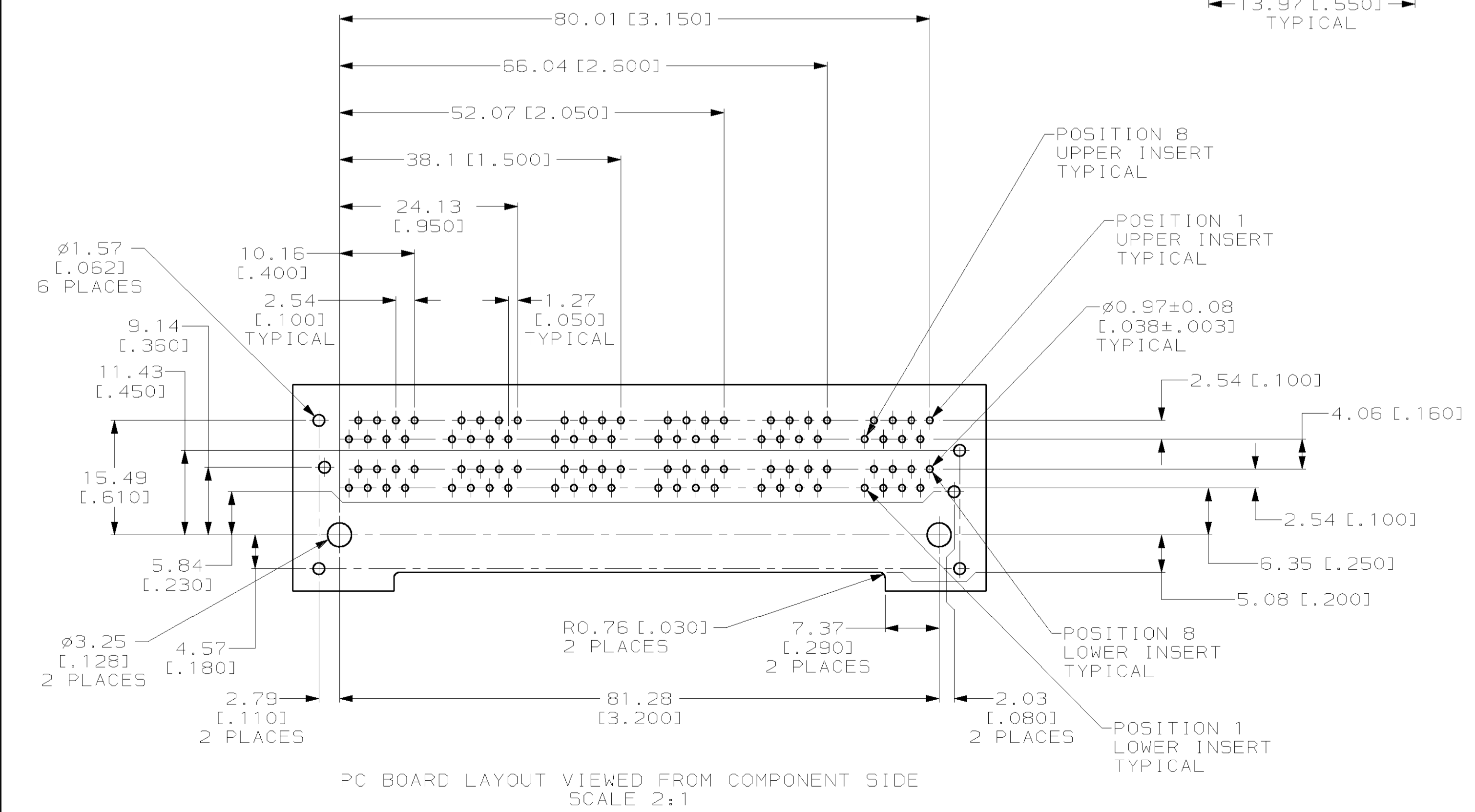
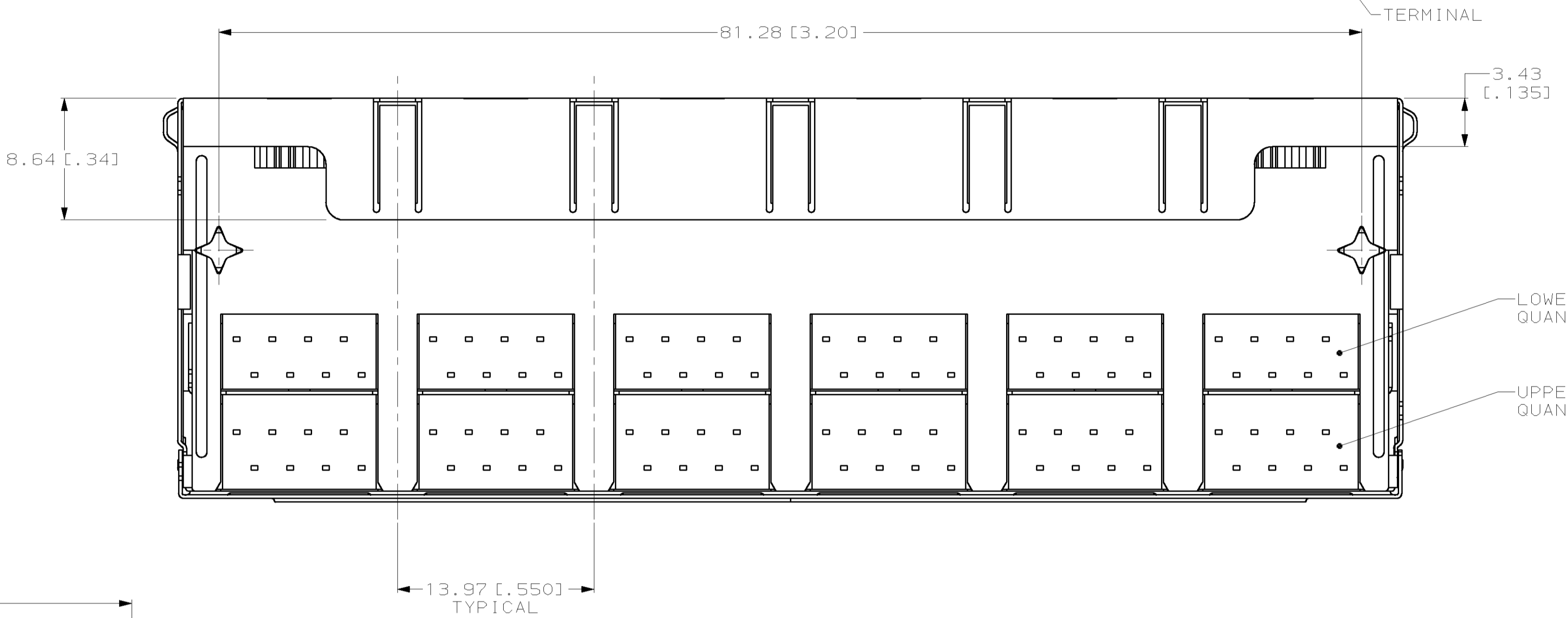
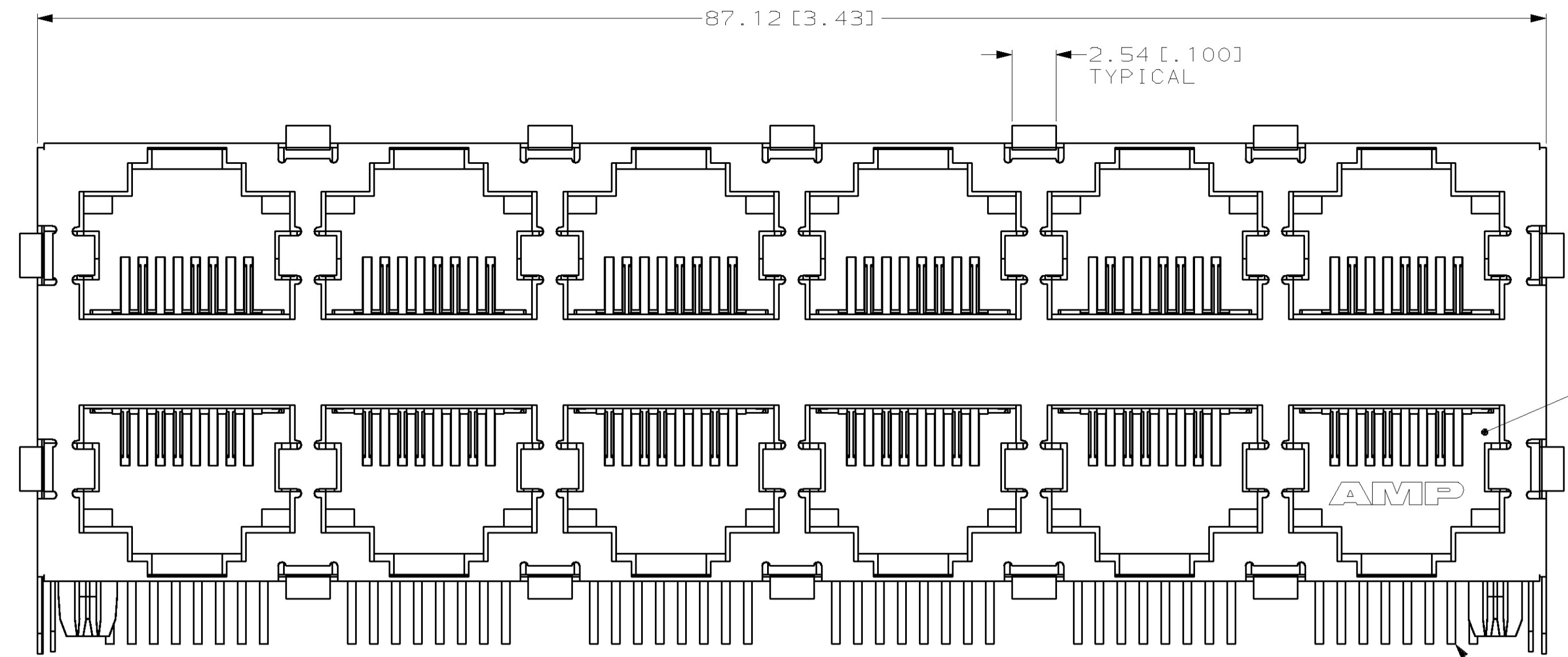
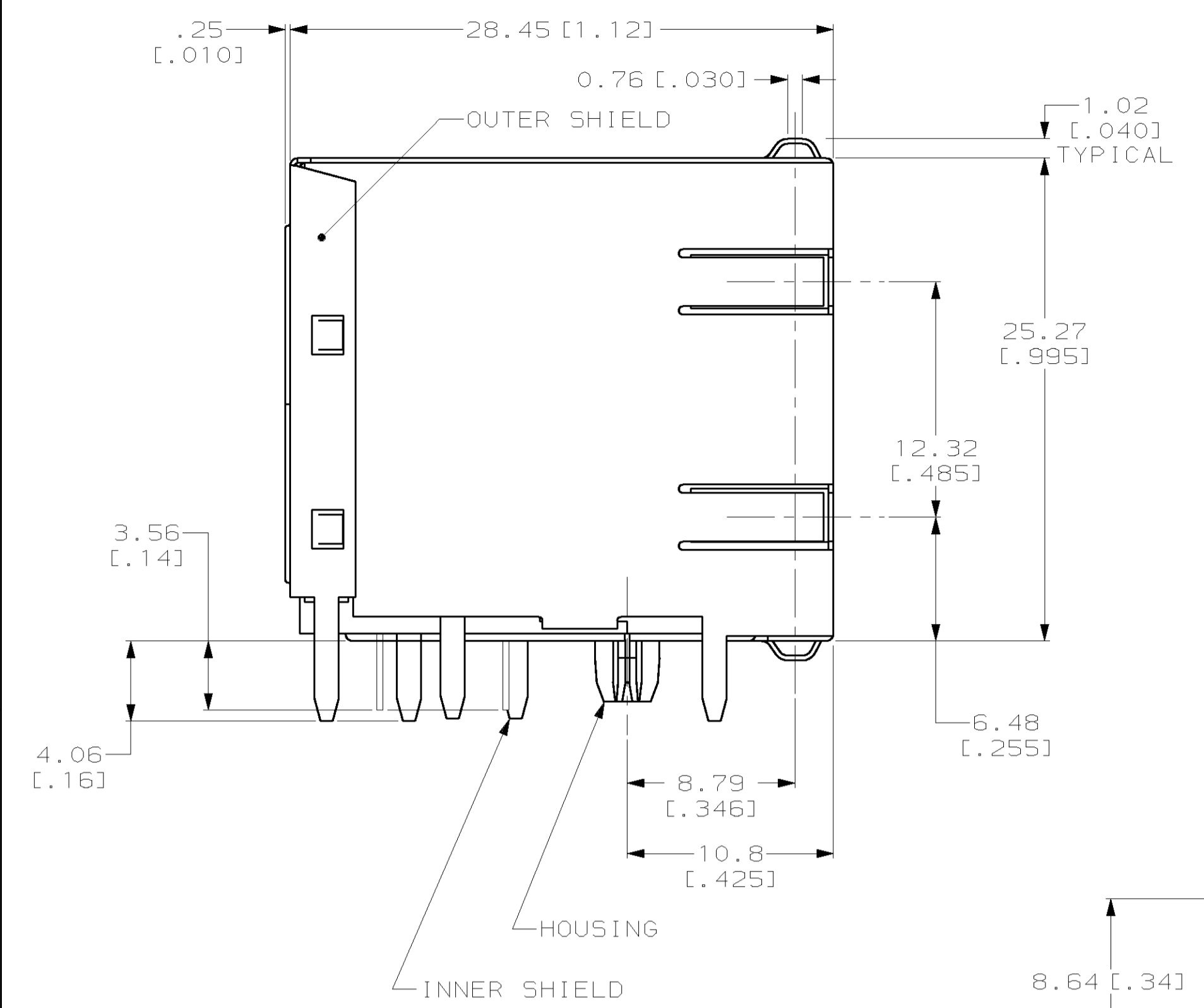


LOC	DIST	REV	DESCRIPTION	DATE	BY	APVD
AA	22	J	REVISED, EC OUI-C-0088-01	07MAR01	DL	ECL



⚠ MATERIAL: HOUSING - PCT POLYESTER, BLACK, UL 94V-0.
 OVERMOLDED TERMINAL ARRAY - PBT, BROWN.
 TERMINALS - 0.33[0.013] THICK PH05 BRONZE PLATED WITH 1.27µm[0.00050] MINIMUM THICK HARD GOLD IN LOCALIZED AREA AND 3.81µm [0.000150] MINIMUM THICK TIN-LEAD IN SOLDER AREA OVER 1.27µm[0.00050] MINIMUM THICK NICKEL UNDERPLATE.
 SHIELD - 0.25[0.010] THICK COPPER ALLOY PLATED WITH 2.03µm[0.00080] MINIMUM THICK TIN-LEAD OVER 2.54µm[0.000100] MINIMUM COPPER OR 1.27µm [0.00050] MINIMUM NICKEL UNDERPLATE.
 ⚠ JACK CAVITY CONFORMS TO FCC RULES AND REGULATIONS, PART 68 SUBPART F.

DIMENSIONS: mm [INCHES]		TOLERANCES UNLESS OTHERWISE SPECIFIED: 0 PLC ± 1 PLC ± 2 PLC ±0.25[0.01] 3 PLC ±0.13[0.005] 4 PLC ± ANGLES ±		DWG I. SPRINKLE 09 JUN 95 CHK C. WHITT 23 JUN 95 APPV VARSIK 30 JUN 95 PRODUCT SPEC APPLICATION SPEC WEIGHT CUSTOMER DRAWING		AMP Incorporated Harrisburg, PA 17105-3608 NAME STACKED MODULAR JACK ASSEMBLY, 2x6 PORT, 8 POSITION, SHIELDED, PANEL GROUND, CATEGORY 5 SIZE A1 CAGE CODE 00779 DRAWING NO C-569263 SCALE 4:1 SHEET 1 OF 1 REV J	
----------------------------	--	--	--	--	--	--	--

569263-1
 PART NUMBER