

Wireless LAN + Bluetooth[®] Module

WYSBHV GXG

(IEEE802.11ac (1x1)+ Bluetooth[®] 4.2)

Data Report

The **Bluetooth[®]** word mark and logos are owned by the **Bluetooth** SIG, Inc. and any use of such marks by TAIYO YUDEN CO., LTD. is under license.

TAIYO YUDEN CO., LTD.

WYSBHVGXG

ATTENTION: This module requires device drivers that are under Japan export control. Depending on the customer's country and application (e.g. weapons), Taiyo Yuden may not be able to provide these drivers to all customers. Please contact your local Taiyo Yuden sales office for additional information.

To contact your local sales office and for additional product information, please visit www.ty-top.com.

WYSBHVXG

TAIYO YUDEN CO., LTD.

Document constituent list

Control name	Control No.	Document Page
General Items	HD-AG-A140346	1/2- 2/2
Absolute maximum ratings	HD-AM-A140346	1/1
Electrical characteristics	HD-AE-A140346	1/5 – 5/5
Circuit schematic	HD-MC-A140346	1/1
Outline / Appearance	HD-AD-A140346	1/2 - 2/2
Pin Layout	HD-BA-A140346	1/3 - 3/3
Handling Precaution	HQ-BA-523	1/2 – 2/2
Taping Specification	HD-BB-A0140346	1/3 – 3/3

Rev. records

Feb-26-2016> Ver.1.0 Release

Mar-31-2016>Ver 1.1 Added descriptions to the 2nd page

WYSBHVXG

TAIYO YUDEN CO., LTD.

Control No. HD-AG-A140346	(1/2)	Control name General Items
------------------------------	-------	-------------------------------

Scope

This specification ("Specification") applies to the hybrid IC for use Wireless LAN and **Bluetooth®** Smart Ready module ("Product") manufacture by TAIYO YUDEN CO., LTD. ("TAIYO YUDEN")

1. Product Number: WYSBHVXG
2. Function: Radio frequency transfer Module.(**IEEE802.11ac/a/b/g/n** and **Bluetooth®4.2** standard)
3. Application: Smart Phones and Tablets, Ultrabooks, Home audio/Video systems, Mobile routers, Handy Terminal, Game, Audio-visual equipment, Digital home electrical appliance, Mobile printer.
4. This product conforms to RoHS Directive.
5. Outline: 70pin leadless chip carrier.
6. Marking: Part number and Lot number.
7. Features:
 - IEEE802.11ac/a/b/g/n** and **Bluetooth®4.2** standard
 - Interface: SDIO3.0, PCM
 - Embedded MPU for reducing loads on host processor
8. Security: TKIP, WEP, AES, CCMP, CMAC, WAPI, WPA/WPA2(64bit/128bit)
9. Packing: Packaging method: Reel
 - Packaging unit: 1500pieces/Reel
 - Package Material: PPE/ PET/AL/NY/PE
10. Mount: SMD Type
11. Note
 - a. This Product is not designed for radiation durable and should not be used under the circumstance of radiation.
 - b. The operating conditions of this Product are as shown in this Specification. Please note that TAIYO YUDEN shall not be liable for a failure and/or abnormality which is caused by use under the conditions other than the operating conditions hereof.
 - c. This Product mentioned in this Specification is manufactured for use in consumer products. Before using this Product in any special equipment (such as medical equipment, space equipment, air craft, disaster prevention equipment), where higher safety and reliability are duly required, the applicability and suitability of this Product must be fully evaluated by the customer at its sole risk to ensure correct and safety operation of those special equipments. Also, evaluation of the safety function of this Product even for use in general electronics equipment shall be thoroughly made and when necessary, a protective circuit shall be added at design stage, all at the customer's sole risk.
 - d. i) You are requested to fully check and confirm by the start of mass production of this Product that (1) no bug, defect or other failure is included in firmware incorporated in this Product ("Incorporated Software"), (2) no bug defect or other failure is caused by installation of this Product with Incorporated Software into customer's products, and that Incorporated Software fully meets customer's intended use, although TAIYO YUDEN sufficiently inspects or verifies quality of Incorporated Software.
 - ii) Please note that TAIYO YUDEN is not responsible for any failure arising out of bugs or defects in Incorporated Software.
 - e. Communication between this Product and others might not be established nor maintained depending upon radio environment or operating conditions of this Product and other **ISM band** at 2.4GHz and 5GHz products.

TAIYO YUDEN CO., LTD.

WYSBHVXG

TAIYO YUDEN CO., LTD.

Control No. HD-AM-A140346	(2/2)	Control name Absolute maximum ratings
------------------------------	-------	--

f. This Product operates in the unlicensed ISM band at 2.4GHz and 5GHz. In case this Product is used around the other wireless devices which operate in same frequency band of this Product, there is a possibility that interference occurs between this Product and such other devices. If such interference occurs, please stop the operation of other devices or relocate this Product before using this Product or do not use this Product around the other wireless devices.

g. Please evaluate adequately our module incorporated to your products before mass production.

h. Caution for Export Control

This Product may be subject to governmental approvals, consents, licenses, authorizations, declarations, filings, and registrations for export or re-export of the Product, required by *Japanese Foreign Exchange and Foreign Trade Law(including related laws and regulations)* and/or any other country's applicable laws or regulations related to export control.

In case you will export or re-export this Product, you are strongly recommended to check and confirm, before exporting or re-exporting, necessary procedures for export or re-export of this Product which is required by applicable laws and regulations, and if necessary, you have to obtain necessary and appropriate approvals or licenses from governmental authority at your own risk and expense.

WYSBHVXG

TAIYO YUDEN CO., LTD.

Control No. HD-AM-A140346 (1/1)	Control name Absolute maximum ratings
---------------------------------------	--

Absolute maximum ratings

Item	Symbol	Rating			Unit	Remark
		Min.	Typ.	Max.		
Supply voltage 1	VBAT	-	3.3	4.5	V	
Supply voltage 2	VDD33	-	3.3	4.0	V	
Supply voltage 3	VIO	-	1.8	2.2	V	
		-	2.5	3.0	V	
		-	3.3	4.0	V	
Supply voltage 4	VIO_SD	-	1.8	2.2	V	
		-	3.3	4.0	V	
Supply voltage 5	VIO_RF	-	3.3	4.0	V	

Recommendation operating range

Item	Symbol	Rating			Unit	Remark
		Min.	Typ.	Max.		
Supply voltage 1	VBAT	2.7	3.3	4.5	V	
Supply voltage 2	VDD33	3.0	3.3	3.6	V	
Supply voltage 3	VIO	1.62	1.8	1.98	V	
		2.25	2.5	2.75	V	
		3.0	3.3	3.6	V	
Supply voltage 4	VIO_SD	1.62	1.8	1.98	V	
		3.0	3.3	3.6	V	
Supply voltage 5	VIO_RF	3.0	3.3	3.6	V	
Operation temperature range	Taopr	-30	25	85	Degrees C	
Storage temperature range	Tstg	-40		85	Degrees C	

TAIYO YUDEN CO., LTD.

WYSBHVXG

TAIYO YUDEN CO., LTD.

Control No. HD-AM-A140346 (1/5)	Control name Electrical characteristics
---------------------------------------	--

Power consumption

The Specification applies for Topr.= 25 degrees C, Supply voltage=Typical voltage

No.	Parameter	Condition	Symbol	Min.	Typ.	Max.	Unit	Remark
1	Power consumption1	Tx: 12dBm 11b, 11Mbps	Pc1		488		mW	Duty=46.8%
2	Power consumption2	Rx 11b, 11Mbps	Pc2		201		mW	
3	Power consumption3	Tx: 12dBm 11g, 54Mbps	Pc3		297		mW	Duty=25.4%
4	Power consumption4	Rx 11g, 54Mbps	Pc4		211		mW	
5	Power consumption5	Tx: 10dBm, 40MHz BW 11n, MCS7, 2.4GHz	Pc5		211		mW	Duty=2.2%
6	Power consumption6	Rx, 40MHz BW 11n, MCS7, 2.4GHz	Pc6		251		mW	
7	Power consumption7	Tx: 12dBm 11a, 54Mbps	Pc9		363		mW	Duty=25.4%
8	Power consumption8	Rx 11a, 54Mbps	Pc10		244		mW	
9	Power consumption9	Tx: 10dBm, 40MHz BW 11n, MCS7, 5GHz	Pc11		244		mW	Duty=2.4%
10	Power consumption10	Rx, 40MHz BW 11n, MCS7, 5GHz	Pc12		286		mW	
11	Power consumption11	Tx: 8dBm, 80MHz BW 11ac, MCS9, 5GHz	Pc13		321		mW	Duty=1.4%
12	Power consumption12	Rx, 80MHz BW 11ac, MCS9, 5GHz	Pc14		358		mW	
13	Power consumption13	Power save mode (DTIM=1, Beacon_interval =100ms)	Pc15		5.0		mW	
14	Power consumption14	Deep Sleep	Pc16		1.8		mW	

*The power consumption might fluctuate with the condition of radio communication, host performance and test circuit.

*The Typ. is a reference value. The value may change depending on the evaluation.

DC Specifications

Digital Pad Ratings (SDIO, PCM, GPIO) (1.8/ 2.5/ 3.3V)

No.	Parameter	Condition	Symbol	Min.	Typ.	Max.	Unit	Remark
1	Input High Voltage		VIH	0.7xVIO		VIO+0.3	V	
2	Input Low Voltage		VIL	-0.3		0.3xVIO	V	
3	Output High Voltage		VOH	VIO-0.4		-	V	
4	Output Low Voltage		VOL	-		0.4	V	

TAIYO YUDEN CO., LTD.

WYSBHVXG

TAIYO YUDEN CO., LTD.

Control No. HD-AM-A140346	(2/5)	Control name Electrical characteristics
------------------------------	-------	--

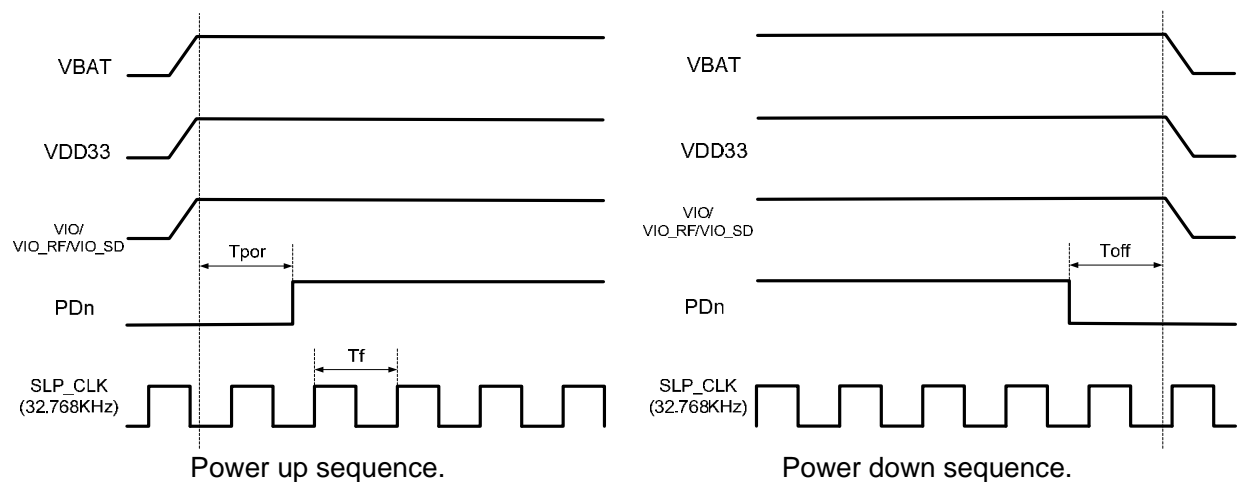
AC Specifications

Power-on timing / External sleep clock

	Parameter	Condition	Symbol	Min	Typ	Max	Unit	Remark
1	Valid Power/ Clock to PDn de-asserted		Tpor	300			ms	
2	Input SLP_CLK frequency		Tf	-	32.768	-	KHz	
3	Input SLP_CLK high voltage	V=1.8V	V _{IH}	0.7*V	-	V+0.4	V	
4	Input SLP_CLK low voltage		V _{IL}	-0.4		0.3*V	V	
5	Input SLP_CLK phase noise requirement		PN	-	-125	-	dBc/Hz	@100KHz
6	Input SLP_CLK slew rate limit (10-90%)		SR	-	-	100	ns	
7	Input SLP_CLK duty cycle tolerance		DC	20	-	80	%	
8	PDN down to Power off		Toff	0			ms	

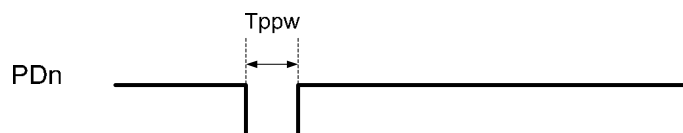
<Power-on sequence>

PDn must remain asserted for minimum of Tpor after VBAT/VDD33/VIO/VIO_RF/VIO_SD and SLP_CLK are stable.

**External power down(PDn)**

	Parameter	Condition	Symbol	Min	Typ	Max	Unit	Remark
1	PDn pulse width		Tppw	300			ms	

1. PDn should be asserted while VBAT/VDD33/VIO/VIO_RF/VIO_SD are stable.



TAIYO YUDEN CO., LTD.

WYSBHVXG

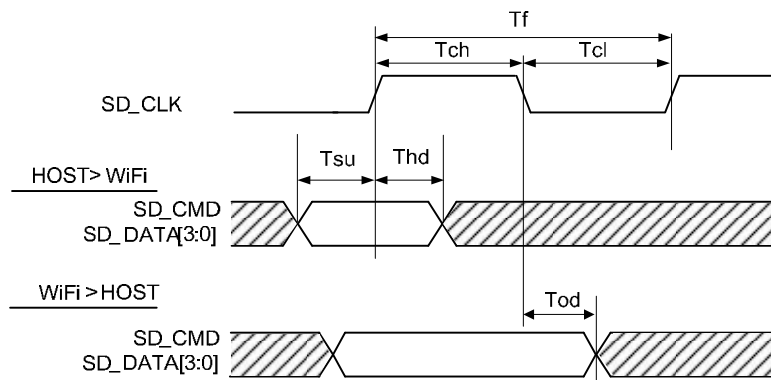
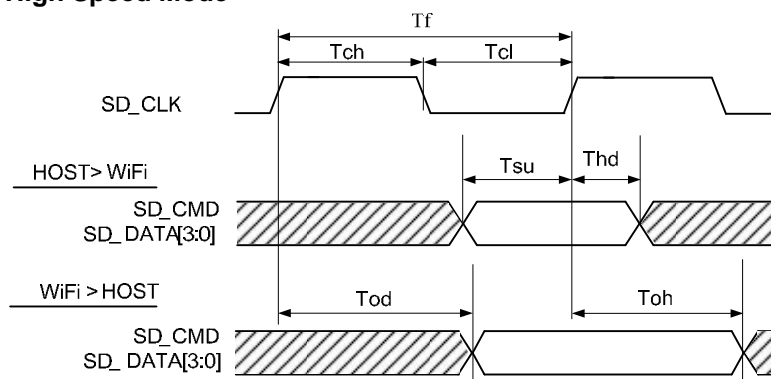
TAIYO YUDEN CO., LTD.

Control No. HD-AE-A140346 (3/5)	Control name Electrical characteristics
---------------------------------------	--

SDIO Interface Specifications

The Specification applies for Topr.= 25 degrees C , Supply voltage=Typical voltage.

	Parameter	Symbol	Condition	Min	Typ	Max	Unit	Remark
1	Input SDIO_CLK Frequency	Tf	Normal	0	-	25	MHz	
			High Speed	0	-	50		
2	Input SDIO_CLK High Time	Tch	Normal	10	-	-	ns	
			High Speed	7	-	-		
3	Input SDIO_CLK Low Time	Tcl	Normal	10	-	-	ns	
			High Speed	7	-	-		
4	Input SDIO_CMD, DATA[3:0] Setup time	Tsu	Normal	5	-	-	ns	
			High Speed	6	-	-		
5	Input SDIO_CMD, DATA[3:0] Hold time	Thd	Normal	5	-	-	ns	
			High Speed	2	-	-		
6	Output SDIO_CMD, DATA[3:0] Delay time	Tod	Normal	-	-	14	ns	CL<40pF (1card)
			High-Speed	-	-	14		
7	Output SDIO_CMD, DATA[3:0] Hold time	Toh	High Speed	2.5	-	-	ns	

Normal Mode**High Speed Mode**

TAIYO YUDEN CO., LTD.

WYSBHVXG

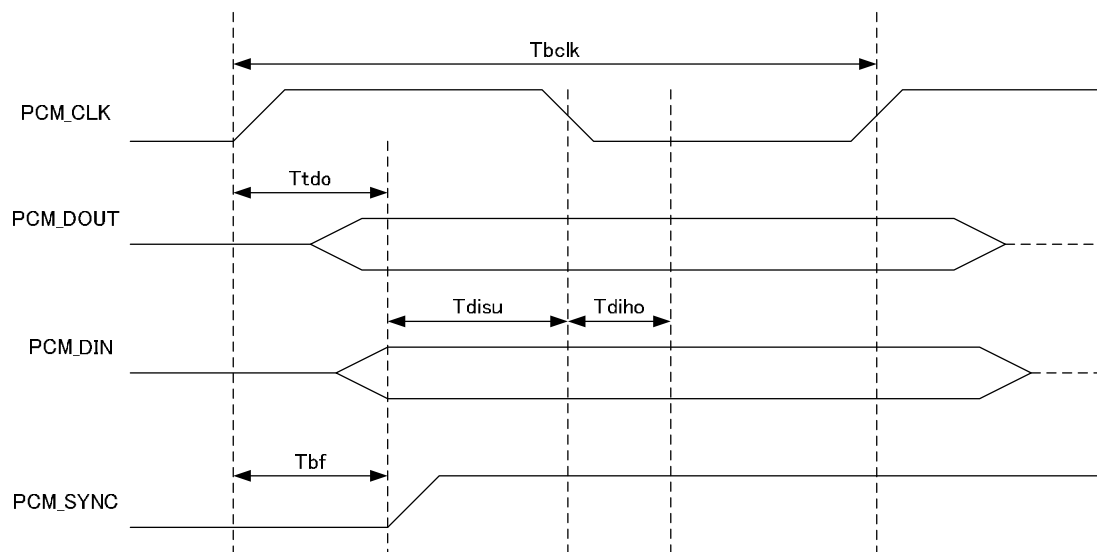
TAIYO YUDEN CO., LTD.

Control No. HD-AE-A140346 (4/5)	Control name Electrical characteristics
---------------------------------------	--

AC Specifications**PCM Interface**

The Specification applies for Topr.= 25 degrees C, Supply voltage=Typical voltage.

No.	Parameter	Condition	Symbol	Min	Typ	Max	Unit	Remark
1	PCM_CLK Frequency		Tbclk	-	2/2.048	-	MHz	
2	Delay time from PCM_CLK High to valid PCM_OUT		Tdo	-	-	15	ns	
4	Setup time for PCM_IN valid to PCM_CLK Low		Tdisu	20	-	-	ns	
5	Hold time for PCM_CLK Low to PCM_IN valid		Tdiho	15	-	-	ns	
6	Delay time from PCM_CLK High to PCM_SYNC High		Tbf	-	-	15	ns	

Master Mode

TAIYO YUDEN CO., LTD.

WYSBHVXG

TAIYO YUDEN CO., LTD.

Control No. HD-AE-A140346 (5/5)	Control name Electrical characteristics
---------------------------------------	--

2.4GHz Band RF Specifications

The Specification applies for Topr.= 25 degrees C, Supply voltage=Typical voltage

No.	Parameter	Condition	Symbol	Min	Typ	Max	Unit	Remark
1	TX Power	11Mbps, 11b	Po2-1	10	12	14	dBm	
		54Mbps, 11g	Po2-2	10	12	14		
		MCS7, 20MHz BW, 11n	Po2-3	10	12	14		
		MCS7, 40MHz BW, 11n	Po2-4	8	10	12		
2	Rx sensitivity	11Mbps, 11b	SEN2-1		-87	-76	dBm	
		54Mbps, 11g	SEN2-2		-73	-65		
		MCS7, 20MHz BW, 11n	SEN2-3		-69	-64		
		MCS7, 40MHz BW, 11n	SEN2-4		-66	-61		

5GHz Band RF Specifications

The Specification applies for Topr.= 25 degrees C, Supply voltage=Typical voltage

No.	Parameter	Condition	Symbol	Min	Typ	Max	Unit	Remark
1	TX Power	54Mbps, 11a	Po5-1	10	12	14	dBm	
		MCS7, 20MHz BW, 11n	Po5-2	10	12	14		
		MCS7, 40MHz BW, 11n	Po5-3	8	10	12		
		MCS9, 80MHz BW, 11ac	Po5-4	6	8	10		
2	Rx sensitivity	54Mbps, OFDM	SEN5-1		-71	-65	dBm	
		MCS7,20MHzBW,OFDM	SEN5-2		-68	-64		
		MCS7,40MHzBW,OFDM	SEN5-3		-65	-61		
		MCS9,80MHzBW,OFDM	SEN5-4		-57	-51		

RF Specifications (Bluetooth®)

The Specification applies for Topr.= 25 degrees C, Supply voltage =Typical voltage.

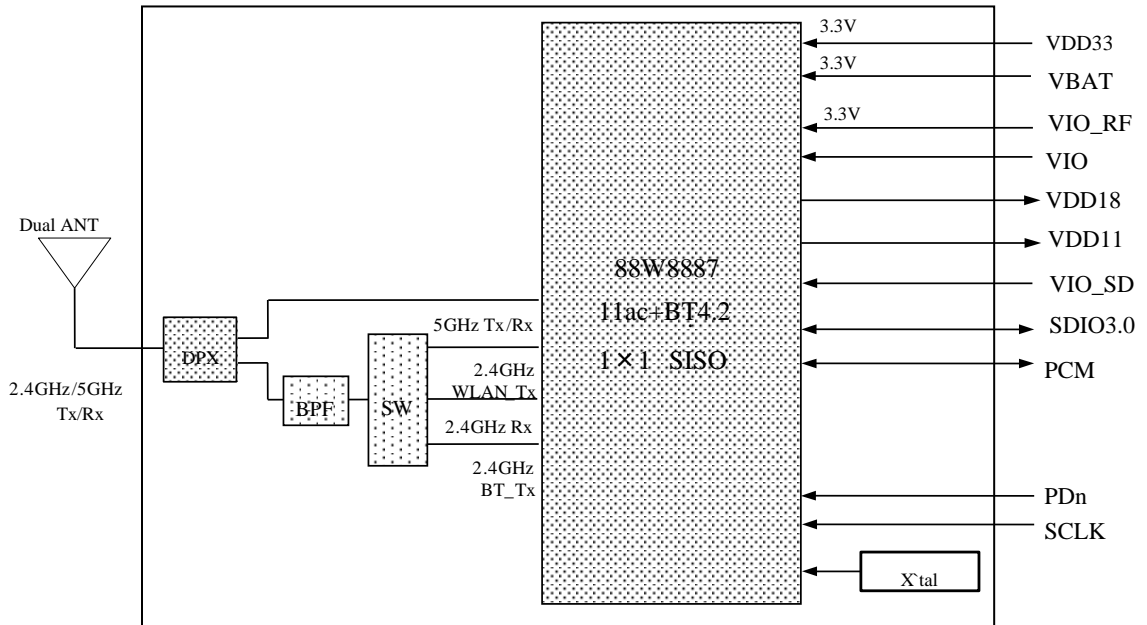
No.	Parameter	Condition	Sym	Min	Typ	Max	Unit	Remark
1	Tx Power	Basic	Pob-2	-6	0	4	dBm	Class2
2	Sensitivity	Basic	SENB		-86	-70	dBm	

WYSBHVXG

TAIYO YUDEN CO., LTD.

Control No. HD-MC-A140346	(1/1)	Control name Circuit Schematic
------------------------------	-------	-----------------------------------

Block Diagram



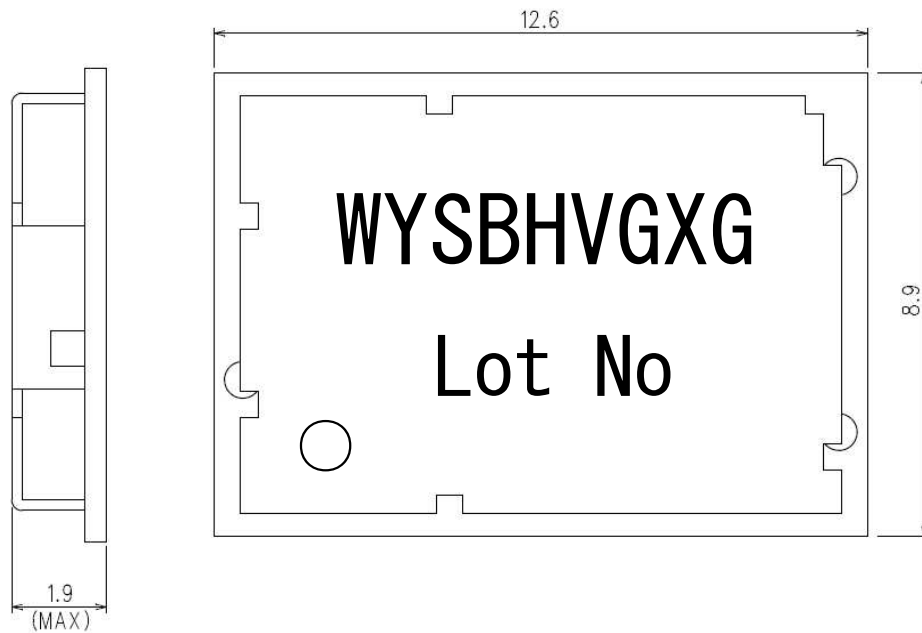
WYSBHVXG

TAIYO YUDEN CO., LTD.

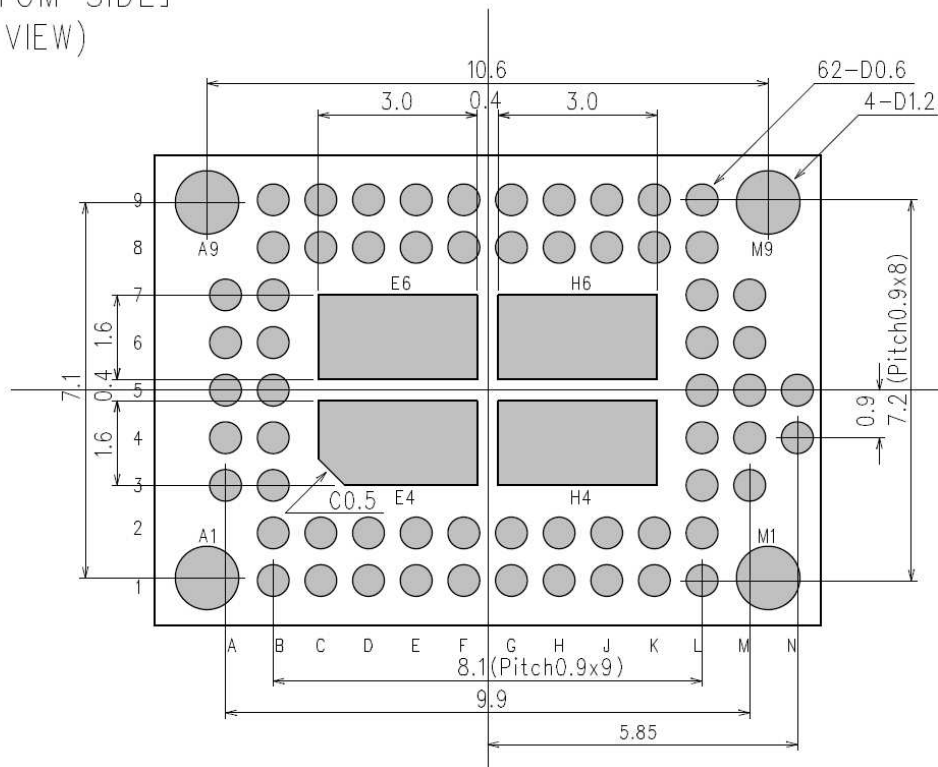
Control No. HD-AD-A140346	(1/2)	Control name Outline/Appearance
------------------------------	-------	------------------------------------

Unit: mm, Tolerances unless otherwise specified: ± 0.2 mm

[TOP SIDE]
(TOP VIEW)



[BOTTOM SIDE]
(TOP VIEW)



TAIYO YUDEN CO., LTD.

WYSBHVGXG

TAIYO YUDEN CO., LTD.

Control No. HD-AD-A140346	(2/2)	Control name Outline/Appearance
------------------------------	-------	------------------------------------

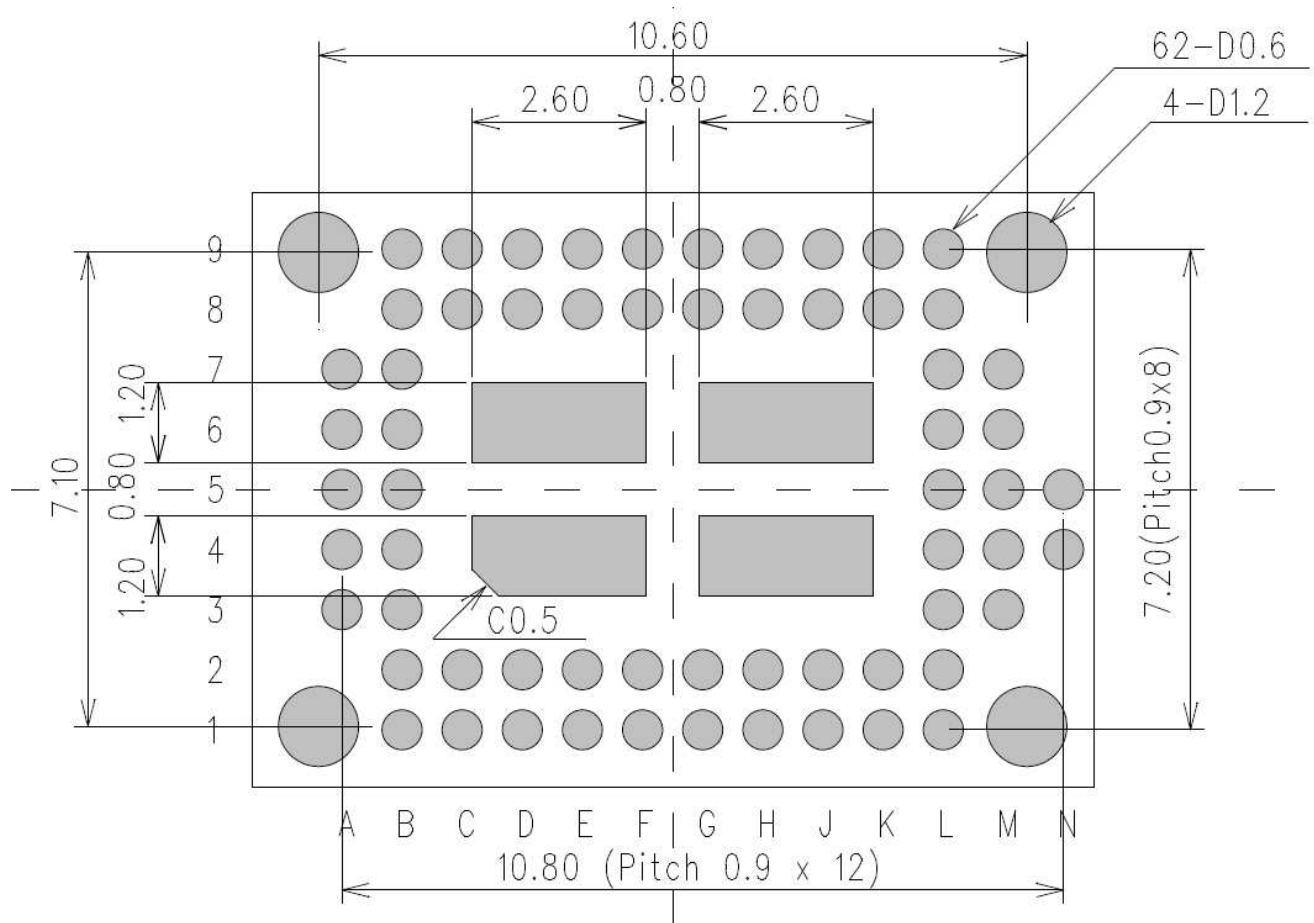
Recommended Land Pattern Dimension

We recommend that pad sizes on mother board and pad sizes on module should be the same.

Recommended Metal Mask (Solder Mask) Conditions

Mask size see bellow. Thickness of the Metal Mask should be in the range 0.1 mm

Unit: mm



(TOP VIEW)

TAIYO YUDEN CO., LTD.

WYSBHVXG

TAIYO YUDEN CO., LTD.

Control No. HD-BA-A140346	(1/3)	Control name Pin Layout
------------------------------	-------	----------------------------

Pin Descriptions

Terminal No.	Terminal Name	I/O	Pwr Domain	Description	Function	Internal PU
A1	GND	-	GND	Ground	PWR	-
A3	SD_D3	I/O	VIO_SD	SDIO Data line Bit[3]	SDIO	Enable
A4	VIO_SD	I	VIO_SD	1.8/3.3V Digital SDIO Power Supply.	PWR	-
A5	SD_CLK	I	VIO_SD	SDIO Clock Input	SDIO	Enable
A6	SD_D1	I/O	VIO_SD	SDIO Data line Bit[1]	SDIO	Enable
A7	VBAT	I	VBAT	1.1v buck/1.8v buck/3.3v LDO VBAT input	PWR	-
A9	GND	-	GND	Ground	PWR	-
B1	VIO	I	VIO	1.8/3.3V Digital Power Supply	PWR	-
B2	VDD18_ADC_TBG	I	VDD18	1.8V Analog Power Supply Should be connecting to C9.	PWR	
B3	SD_D2	I/O	VIO_SD	SDIO Data line Bit[2]	SDIO	Enable
B4	SD_CMD	I/O	VIO_SD	SDIO Command/Response	SDIO	Enable
B5	GND	-	GND	Ground	PWR	-
B6	SD_D0	I/O	VIO_SD	SDIO Data line Bit[0]	SDIO	Enable
B7	UART_CTS	I	VIO	UART_CTSN	UART	Enable
B8	UART_RTS	O	VIO	UART_RTSN	UART	Enable
B9	1.1V_INT	O	VDD11	1.1V buck voltage output	PWR	-
C1	PCM_CLK	I/O	VIO	PCM Clock Signal. (Output if PCM master. Input if PCM slave.)	PCM	Enable
C2	PCM_DOUT/PCM_B	O	VIO	PCM Data Output Signal	PCM	Enable
C8	PDN	I	VIO	Power Down (no internal pull-up on this pin) (0: Full Power Down, 1: Normal Operation)	CTRL	None
C9	1.8V_INT	O	VDD18	1.8V buck voltage output	PWR	-
D1	PCM_DIN/PCM_A	I	VIO	PCM Data Input Signal	PCM	Enable
D2	PCM_SYNC	I/O	VIO	PCM Sync Pulse Signal. (Output if PCM master. Input if PCM slave.)	SDIO	Enable
D8	UART_SIN	I	VIO	UART_SIN	UART	Enable
D9	VDD33	I	VDD33	3.3V Analog Power Supply	PWR	-
E1	SLP_CLK	I	VDD18	Sleep Clock Input	CLOCK	-
E2	TDO	O	VIO	JTAG Test Data Output	JTAG	Enable
E4	GND	-	GND	Ground	PWR	-
E6	GND	-	GND	Ground	PWR	-
E8	UART_SOUT	O	VIO	UART_SOUT	UART	Enable

TAIYO YUDEN CO., LTD.

WYSBHVXG

TAIYO YUDEN CO., LTD.

Control No. HD-BA-A140346	(2/3)	Control name Pin Layout
------------------------------	-------	----------------------------

Terminal No.	Terminal Name	I/O	Pwr Domain	Description	Function	Internal PU
E9	GND	-	GND	Ground	PWR	-
F1	GND	-	GND	Ground	PWR	-
F2	TMS	I	VIO	JTAG Controller Select	JTAG	Enable
F8	GND	-	GND	Ground	PWR	-
F9	RES	-	-	(Reserved) Should be left open	-	-
G1	ATEST0	I/O	VDD18	ISU I/F Serial clock (HOST_TWSI_CLK)		
G2	TDI	I	VIO	JTAG Test Data Input	JTAG	Enable
G8	GND	-	GND	Ground	PWR	-
G9	RES	-	-	(Reserved) Should be left open	-	-
H1	ATEST1	I/O	VDD18	ISU I/F Serial data (HOST_TWSI_SDA)		
H2	GPIO0/CLK_REQ	O	VIO	XOSC_EN/CLK_REQ(Active high) 0 = disable external oscillator 1 = enable external oscillator	CTRL	
H4	GND	-	GND	Ground	PWR	-
H6	GND	-	GND	Ground	PWR	-
H8	RES	-	-	(Reserved) Should be left open	-	-
H9	GND	-	GND	Ground	PWR	-
J1	ATEST2	O	VDD18	ISU I/F Interrupt to host from slave (HOST_TWSI_IRQ)		
J2	GPIO13/BT_WAKEUP_BT_HOST	O	VIO	Bluetooth wakeup host (Output).	CTRL	
J8	RES	-	-	(Reserved) Should be left open	-	-
J9	VDD18_NFC	I	VDD18	1.8V Analog Power Supply Should be connecting to C9.	PWR	
K1	ATEST3	-	VDD18	Reserved. Do not connect these pins. Leave these pins floating.	-	
K2	TCK	I	VIO	JTAG Test Clock Input	JTAG	Enable
K8	RES	-	-	(Reserved) Should be left open	-	-
K9	RES	-	-	(Reserved) Should be left open	-	-

TAIYO YUDEN CO., LTD.

WYSBHVXG

TAIYO YUDEN CO., LTD.

Control No. HD-BA-A140346	(3/3)	Control name Pin Layout
------------------------------	-------	----------------------------

Terminal No.	Terminal Name	I/O	Pwr Domain	Description	Function	Internal PU
L1	VDD18_WLAN	I	VDD18	1.8V Analog Power Supply Should be connecting to C9.	PWR	
L2	GPIO1/WL_HOST_WAKE	O	VIO	WLAN wakeup HOST (Output)	CTRL	
L3	GPIO3, CON[1]	I	VIO_RF	Configuration Mode: CON[1], See Table-1	CTRL	Enable
L4	RES	-	-	(Reserved) Should be left open	-	-
L5	RES	-	-	(Reserved) Should be left open	-	-
L6	RES	-	-	(Reserved) Should be left open	-	-
L7	RES	-	-	(Reserved) Should be left open	-	-
L8	GPIO2, CON[0]	I	VIO_RF	Configuration Mode: CON[0], See Table-1	CTRL	Enable
L9	VDD18_BT	I	VDD18	1.8V Analog Power Supply Should be connecting to C9.	PWR	-
M1	GND	-	GND	Ground	PWR	-
M3	GND	-	GND	Ground	PWR	-
M4	GND	-	GND	Ground	PWR	-
M5	GND	-	GND	Ground	PWR	-
M6	VIO_RF	I	VIO	3.3V Analog I/O RF Power Supply	PWR	
M7	RES	-	-	(Reserved) Should be left open	-	-
M9	GND	-	GND	Ground	PWR	-
N4	ANT1	I/O	-	2.4G/5G RF (IEEE802.11ac/a/b/g/n) Antenna		
N5	GND	-	GND	Ground	PWR	-

Table-1 HOST Interface / FW down load select

CON[1]	CON[0]	WLAN	BT/BLE
0	0	00,01	
0	1	reserved	
1	0	SDIO	UART
1	1	SDIO	SDIO

Note) SDIO interface is recommended to use for BT control, instead of the UART. Because, 8887 firmware and driver for the UART is not supported or qualified by Marvell, any more.
No external circuitry is required to set a configuration bit to 1.

WYSBHVXG

TAIYO YUDEN CO., LTD.

Control No. HQ-BA-523	(1/2)	Control name Handling Precaution
--------------------------	-------	-------------------------------------

This specification describes desire and conditions especially for mounting.

Desire/Conditions

(1) Environment conditions for use and storage

1. Store the components in an environment of < **40deg-C/90%RH** if they are in a moisture barrier bag packed by TAIYO YUDEN.
2. Keep the factory ambient conditions at < **30deg-C/60%RH**.
3. Store the components in an environment of < **25±5deg-C/10%RH** after the bag is opened.
(The condition is also applied to a stay in the manufacture process).

(2) Conditions for handling of products

Make sure all of the moisture barrier bags have no holes, cracks or damages at receiving. If an abnormality is found on the bag, its moisture level must be checked in accordance with 2 in (2). Refer to the label on the bag.

1. All of the surface mounting process (reflow process) must be completed **in 12 months** from the bag sea date.
2. Make sure humidity in the bag is less than **10%RH** immediately after open, using a humidity indicator card sealed with the components.
3. **All** of the surface mounting process (reflow process including rework process) must be completed in **168 hours** after the bag is opened (inclusive of any other processes).
4. If any conditions in (1) or condition 2 and 3 in (2) are not met, bake the components in accordance with the conditions at **125deg-C 24hours**
5. As a rule, baking the components in accordance with conditions 4 in (2) shall be once.
6. Since semi-conductors are inside of the components, they must be free from static electricity while handled.(<100V) Use ESD protective floor mats, wrist straps, ESD protective footwear, air ionizers etc. , if necessary.
7. Please make sure that there are lessen mechanical vibration and shock for this module, and do not drop it.

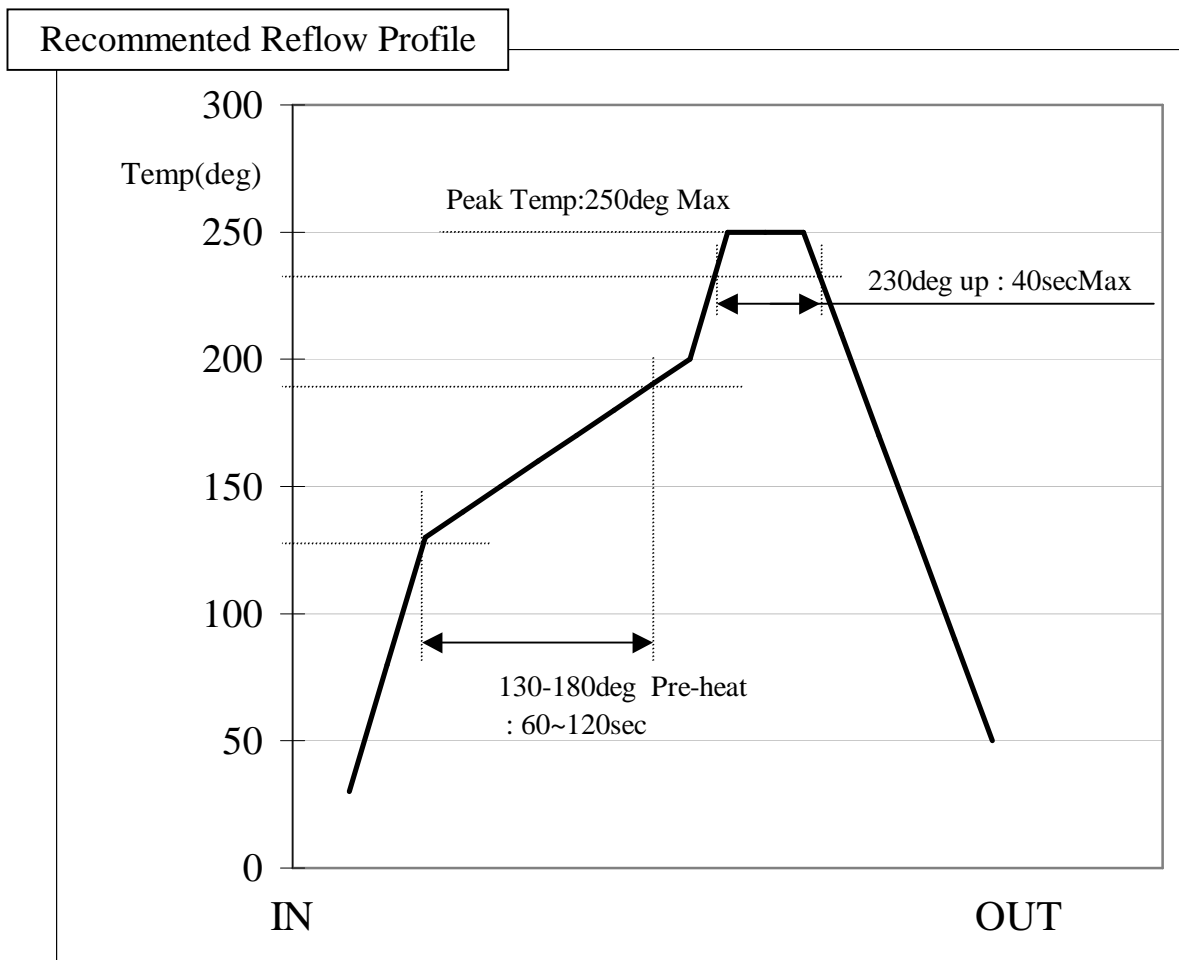
TAIYO YUDEN CO., LTD.

WYSBHV GXG

TAIYO YUDEN CO., LTD.

Control No. HQ-BA-523	(2/2)	Control name Handling Precaution
--------------------------	-------	-------------------------------------

- 8. Please recognize pads of back side at surface mount.
- 9. Please do not wash this module.
- 10. Please perform temperature conditions of module at reflow within the limits of the following.
Please give the number of times of reflow as a maximum of 2 times.



TAIYO YUDEN CO., LTD.

WYSBHVXG

TAIYO YUDEN CO., LTD.

Control No. HD-BB-A140346 (1/3)	Control name Taping Specification
---------------------------------------	--------------------------------------

Packaging Specification

(1) Packaging Material

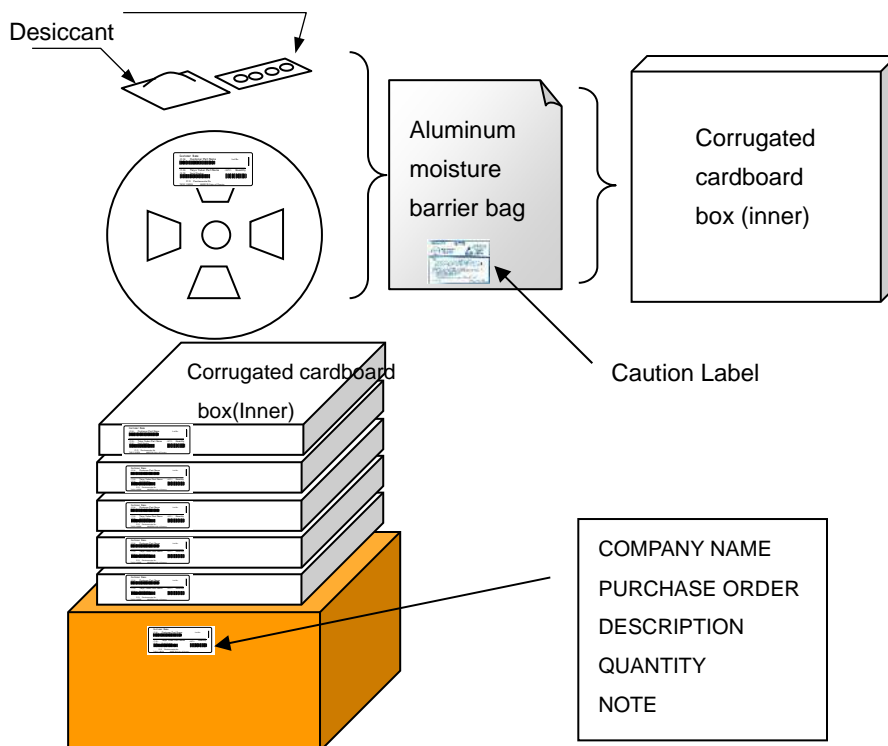
Name	Outline	Materials	Note
Emboss	24mm wide-12mmPitch	Conductive PS	
Cover Tape			
Reel	φ330mm	Conductive PS	
Desiccant	30g x 1		
Humidity indicator card			
Aluminum moisture barrier bag	420 x 460(mm)	(AS)Polyester/AL/Nylon /Polyethylene(AS)	
Label			
Corrugated Box(Inner)	cardboard 376x 376 x52(mm)		
Corrugated Box(Outer)	cardboard 400 x 390 x290(mm)		

(2) Packaging Unit

Max 1500 pieces/Reel

Max 7500 pieces/Box (Outer)

(3)Packaging Figure



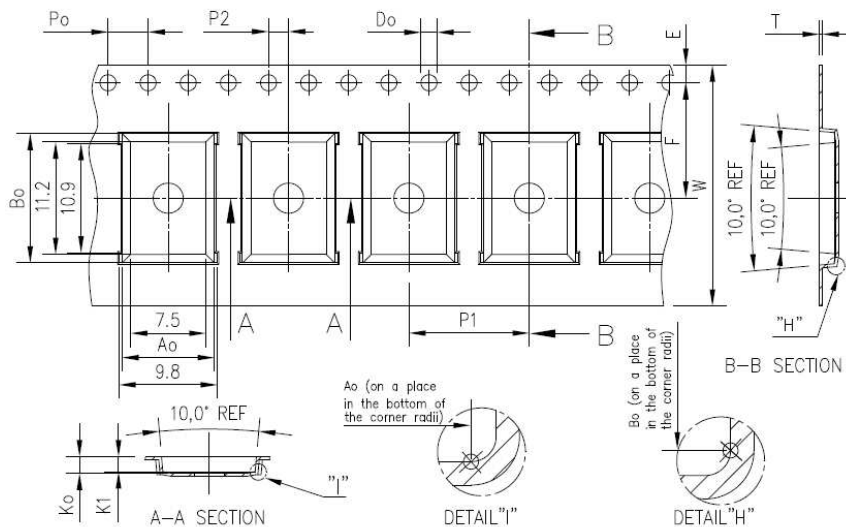
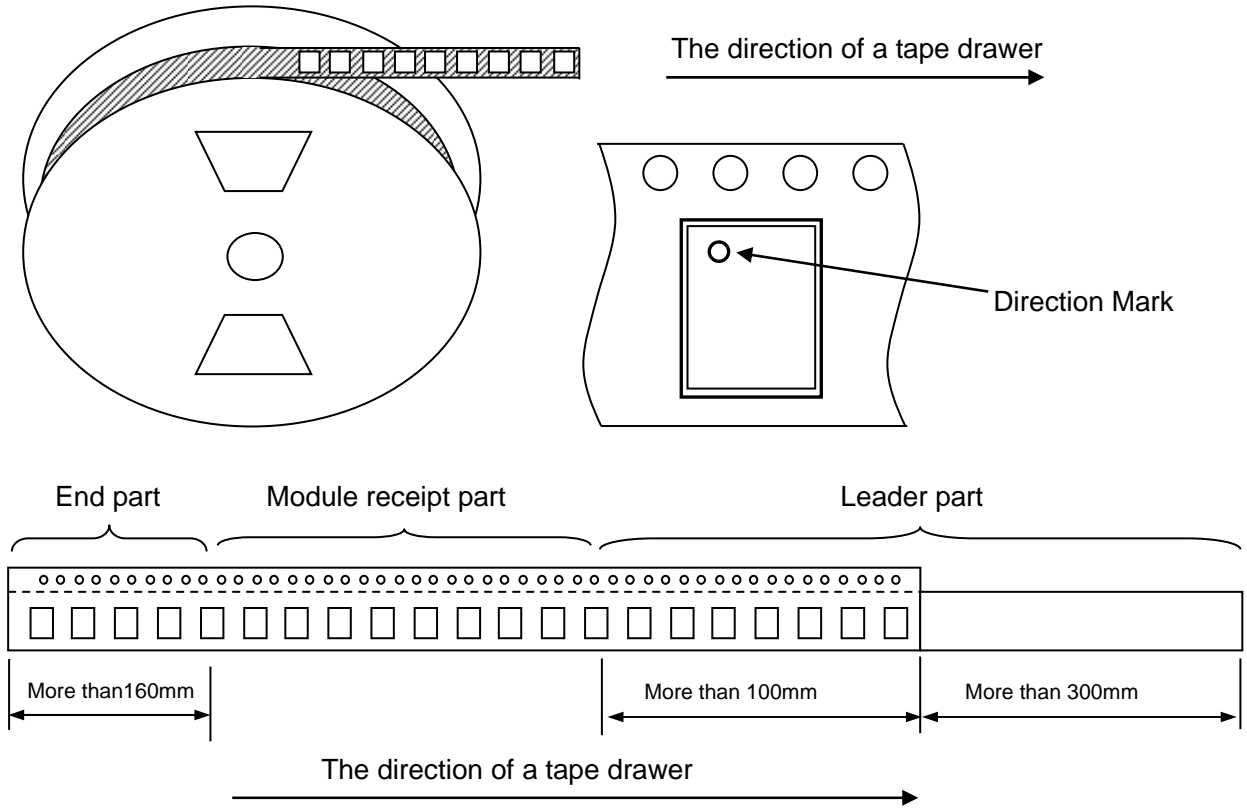
TAIYO YUDEN CO., LTD.

WYSBHVXG

TAIYO YUDEN CO., LTD.

Control No. HD-BB-A140346	(2/3)	Control name Taping Specification
------------------------------	-------	--------------------------------------

(5)Tape specification



ITEM	Ao	Bo	Ko	K1	Po	P1	P2	T
Dim.	9.2±0.1	12.9±0.1	2.25±0.1	2.1±0.1	4.0±0.10	12.0±0.10	2.0±0.1	0.30±0.05
ITEM	E	F	Do	D1	W	10Po		
Dim.	1.75±0.10	11.5±0.1	1.50 ^{+0.1}	3.0 ^{+0.1}	24.0±0.3	40.0±0.2		

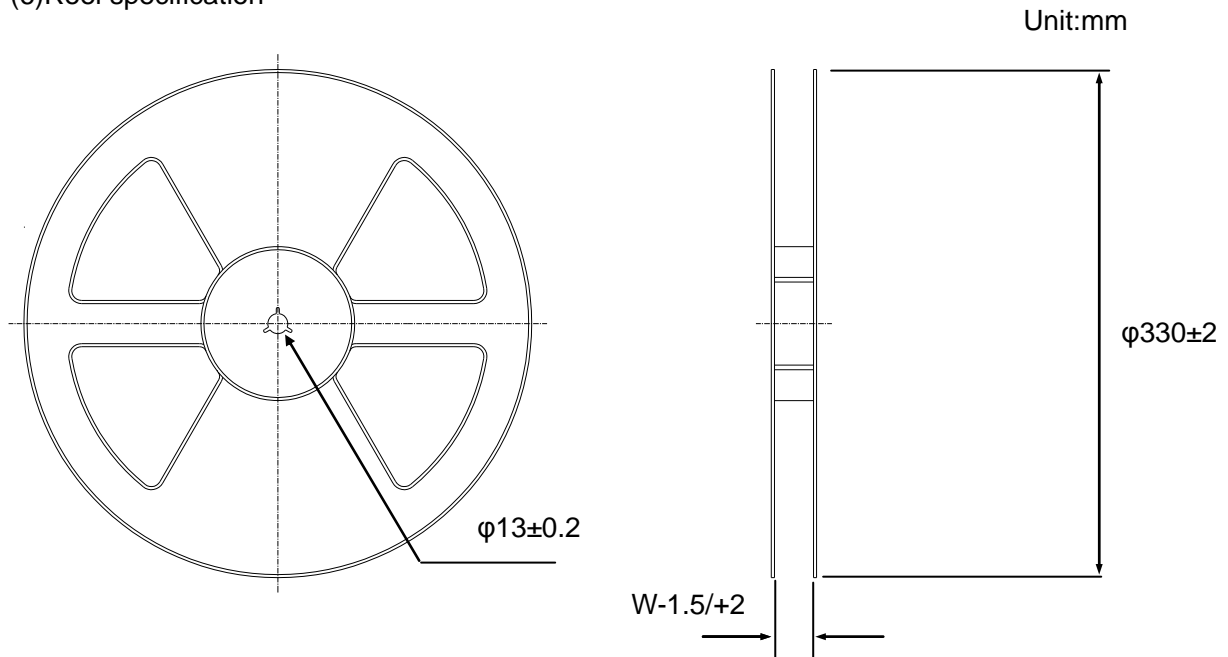
TAIYO YUDEN CO., LTD.

WYSBHVXG

TAIYO YUDEN CO., LTD.

Control No. HD-BB-A140346	(3/3)	Control name Taping Specification
------------------------------	-------	--------------------------------------

(6) Reel specification



Tape wide	8mm	12mm	16mm	24mm	32mm	44mm
W	9.4mm	13.4mm	17.4mm	25.4mm	33.4mm	45.4mm

(7) Taping performance

Both of an embossing tape top cover tape bear this, when the power of 10N is applied in the direction of a drawer.

The exfoliation adhesion of a top cover tape is the intensity of 0.1~1.3N.
(The angle to pull is 165~180 deg-C. The speed to pull is 300 mm/min.)

(8)Note

Lack of the parts in 1 reel is with two or less pieces.

TAIYO YUDEN CO., LTD.