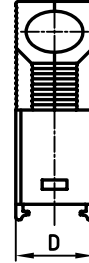
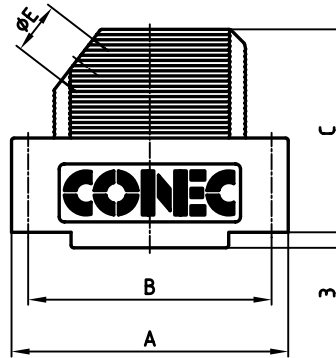
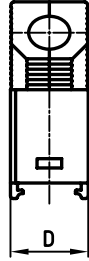
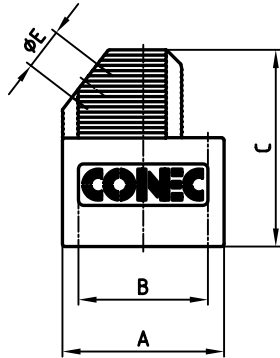


used for: D-SUB

9pos.

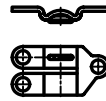
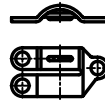
15-50pos.



3 x SCREW FOR CABLE CLAMP



1 x CABLE CLAMP / VERSION 1



1 x CABLE CLAMP / VERSION 2

9pos. = 1 x METAL SCREW  
WITH PLASTIC HEAD

15-50pos. = 2 x METAL SCREW  
WITH PLASTIC HEAD

No. of pos.	A±0.1	B	C±0.2	D	∅E	Part No.
9	31.20	25.0	37.95	15.0	8.0	165X11709X
15	39.52	33.3	38.95	15.0	9.0	165X11719X
25	53.42	47.0	38.95	15.0	11.0	165X11729X
37	69.70	63.5	38.95	15.0	11.0	165X11739X
50	67.30	61.1	38.95	19.0	14.5	165X11749X

**NOTES:**

HOOD: PC GF 20 UL 94 V-0; BLACK

CABLE CLAMP: Cu Ni 18 Zn 20

SCREW FOR CABLE CLAMP: STEEL; NICKEL PLATED



APPROVAL \* FREIGABE \* DEBLOCAGE \* AUTORIZACION \* APPROVAL

CUSTOMER APPROVAL DATE:

NAME: TITLE:

COMPANY NAME:

APPROVAL \* FREIGABE \* DEBLOCAGE \* AUTORIZACION \* APPROVAL

THIS DRAWING MAY NOT BE COPIED OR REPRODUCED IN ANY WAY, AND MAY NOT BE PASSED ON TO A THIRD PARTY, WITHOUT WRITTEN PERMISSION. OWNERSHIP AND COPYRIGHT OF CONEC GmbH DO NOT ALTER CAD DRAWING BY HAND

rev.	description	date	name
a	Origin		

2007	date	name
drawn	04.07.	Lehmenkühler
appd.	05.07.	Mickenbecker
norm		
d-old		



tolerance dim. in mm

scale: 1:1

material: SEE NOTES

title: **PLASTIC HOOD**  
9-50pos. unshielded version, black with metal screw with plastic head

dwg no: AutoCAD 2006 DIN-A 3 sh: 1/1

part no: SEE TABLE