

SAW Filter 1472.0MHz

Model: TA1327B

Part No: MP07906

Rev No: 1

A. MAXIMUM RATING:

Electrostatic Sensitive Device (ESD)

1. Input Power Level: 10dBm
2. DC Voltage: 3V
3. Operating Temperature: -40°C to +90°C
4. Storage Temperature: -40°C to +90°C

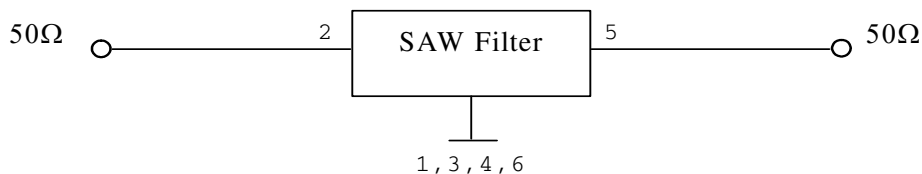
B. ELECTRICAL CHARACTERISTICS:

1. Terminating source impedance (single ended): $Z_S = 50\Omega$
2. Terminating load impedance (single ended): $Z_L = 50\Omega$

Item	Unit	Min.	Typ.	Max.	Note
Center Frequency F_c	MHz	-	1472	-	-
Insertion Loss (1452 ~ 1492MHz)	dB	-	2	2.7	-
Amplitude ripple (1452 ~ 1492MHz)	dB	-	0.5	1.5	-
VSWR (1452 ~ 1492MHz)		-	1.9	2.3	-
Attenuation (reference level from 0dB)					
DC ~ 1200MHz	dB	38	42	-	-
1200 ~ 1398MHz	dB	25	29	-	-
1398 ~ 1410MHz	dB	24	27	-	-
1547 ~ 1590MHz	dB	20	22	-	-
1590 ~ 2500MHz	dB	25	28	-	-
Temperature Coefficient of Frequency	ppm/°C	-	-36	-	-

C. MEASUREMENT CIRCUIT:

HP Network analyzer



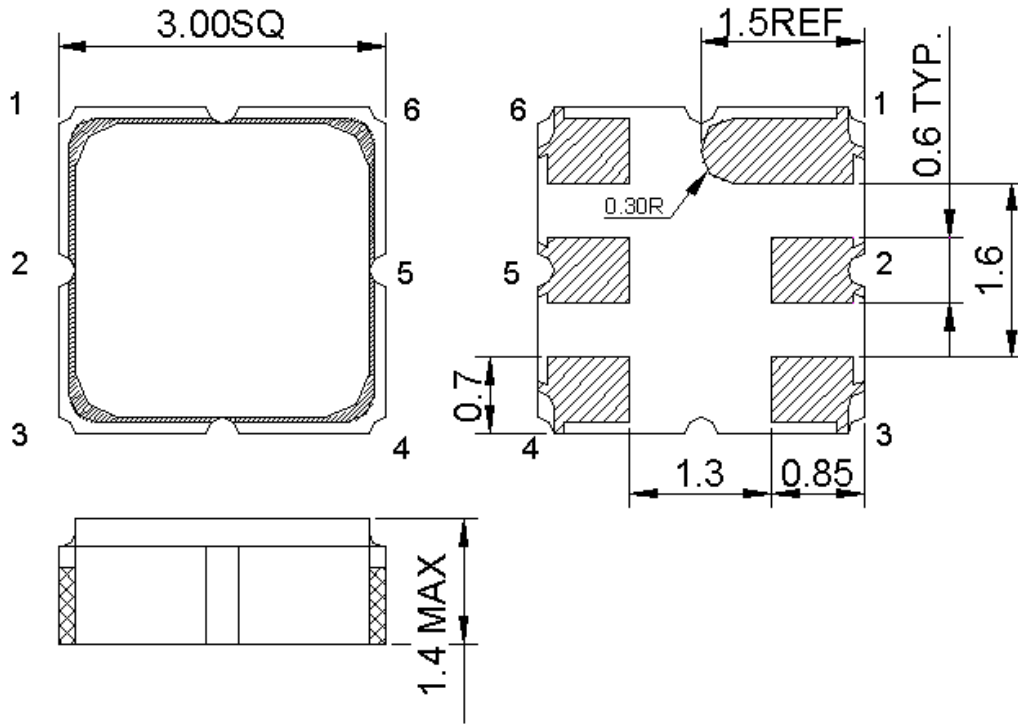
SAW Filter 1472.0MHz

Model: TA1327B

Part No: MP07906

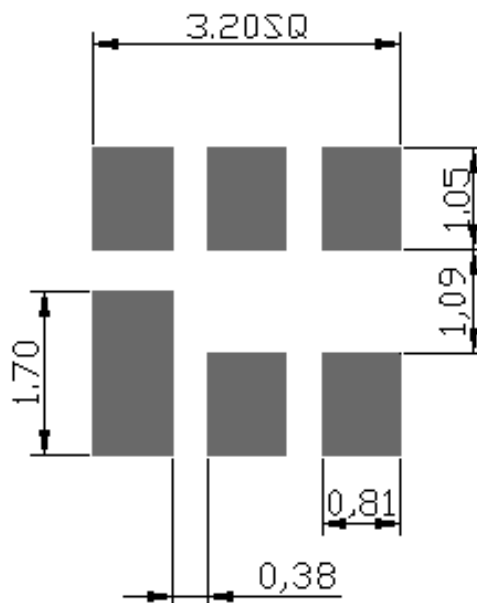
Rev No: 1

D. OUTLINE DRAWING:



2: Input
5: Output
1, 3, 4, 6: Ground
Unit: mm

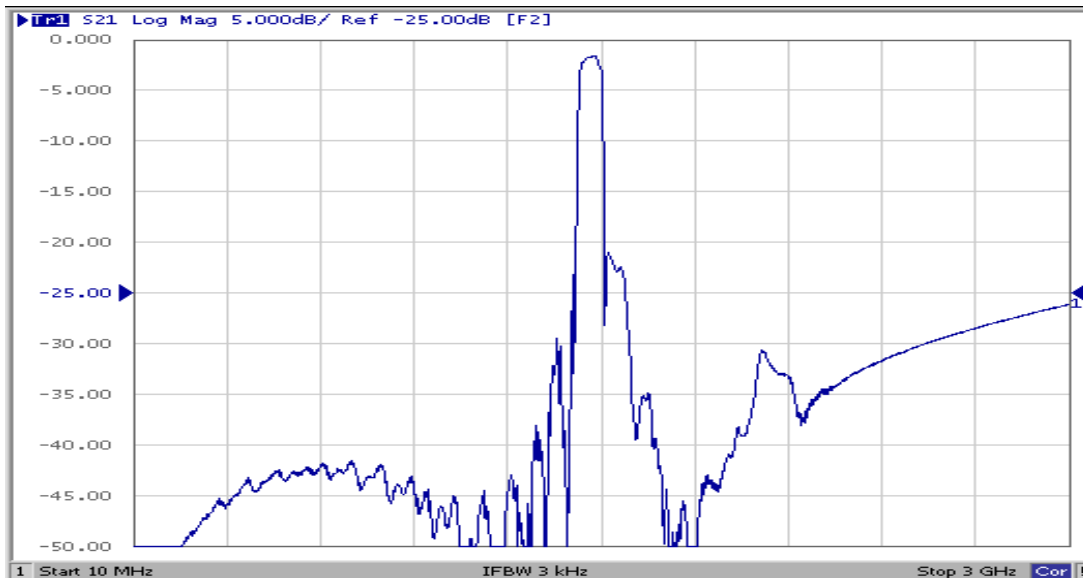
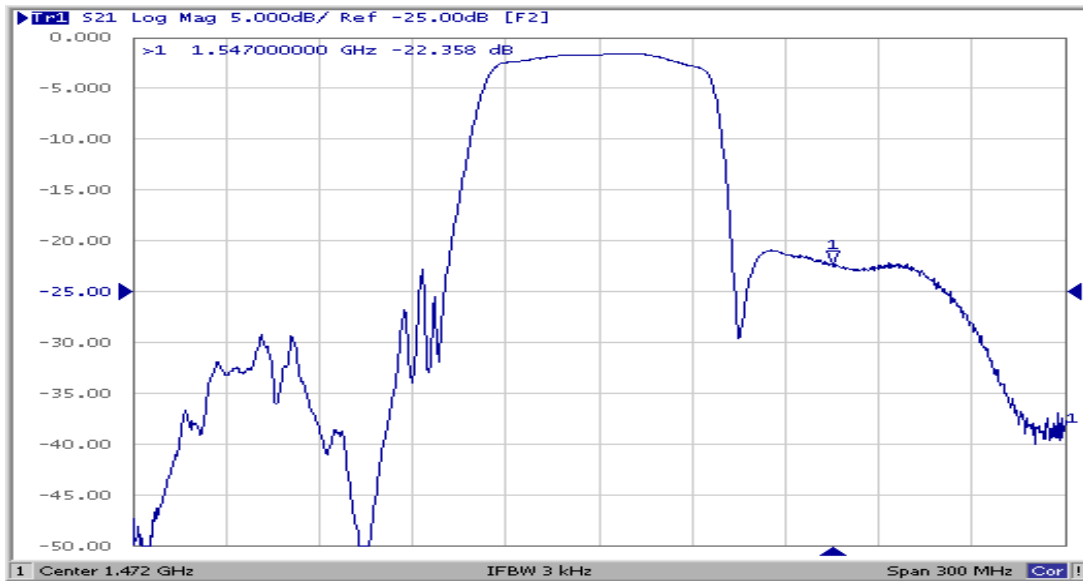
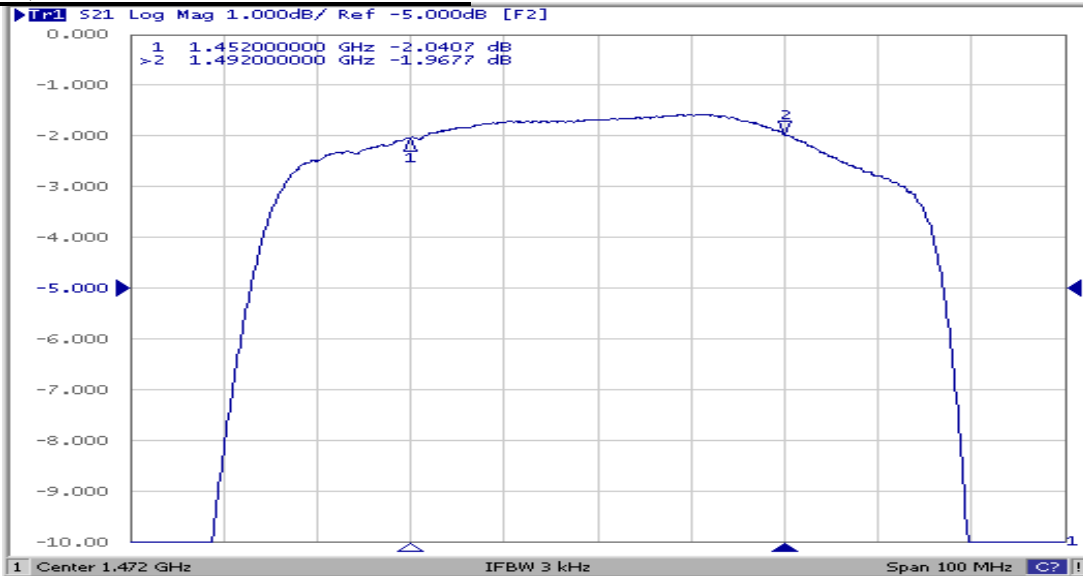
E. PCB FOOTPRINT:



SAW Filter 1472.0MHz
Part No: MP07906

Model: TA1327B
Rev No: 1

F. FREQUENCY CHARACTERISTICS:

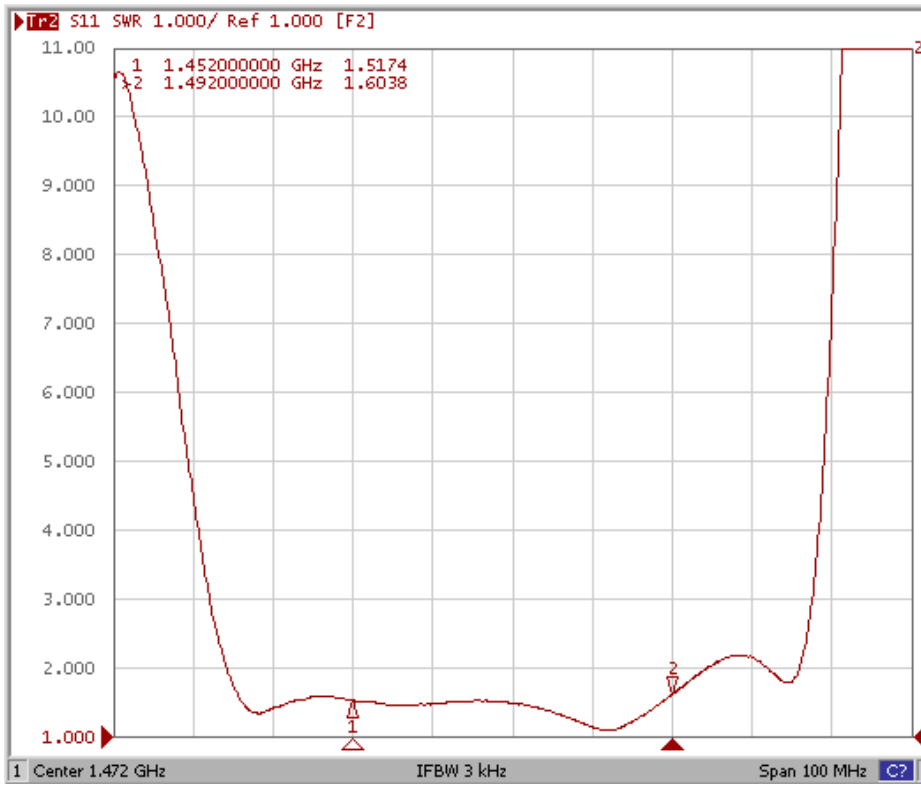


SAW Filter 1472.0MHz
Part No: MP07906

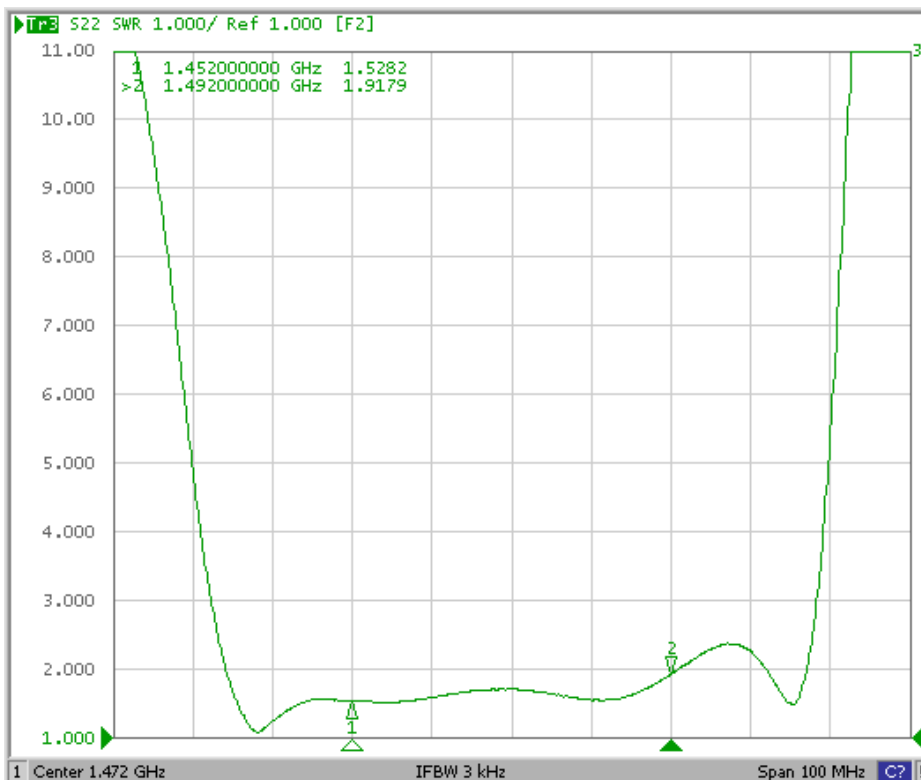
Model: TA1327B
Rev No: 1

1. Reflection Functions

S11



S22

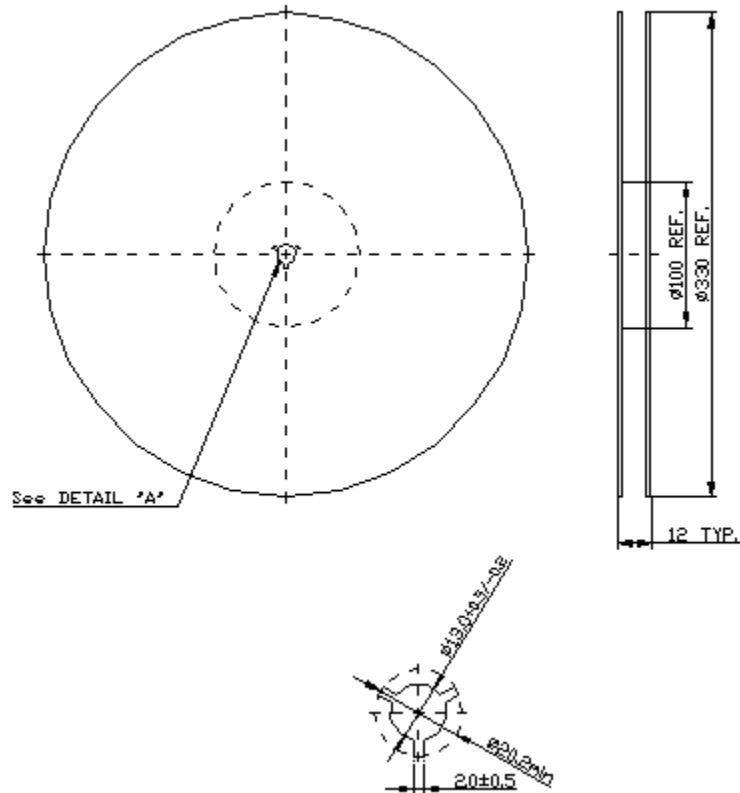


SAW Filter 1472.0MHz
Part No: MP07906

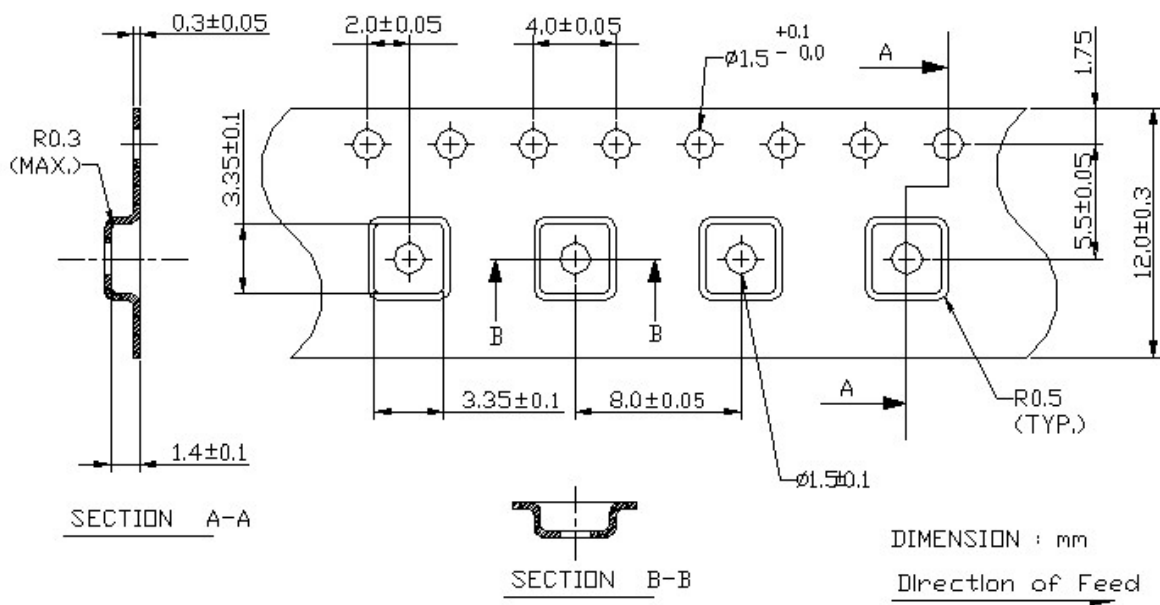
Model: TA1327B
Rev No: 1

G. PACKING:

1. Reel Dimension (Please refer to FR-75D10 for packing quantity)



2. Tape Dimension



SAW Filter 1472.0MHz
Part No: MP07906

Model: TA1327B
Rev No: 1

H. RECOMMENDED REFLOW PROFILE:

1. Preheating shall be fixed at 150 ~ 180°C for 60 ~ 90 seconds.
2. Ascending time to preheating temperature 150°C shall be 30 seconds min.
3. Heating shall be fixed at 220°C for 50 ~ 80 seconds and at 245 ~ 260°C peak (min. 10 sec).
4. Time: 2 times.

