

ME MAX 22,5 GEH-R G 3-3 BU - Housing half shell



2279350

<https://www.phoenixcontact.com/us/products/2279350>

Please be informed that the data shown in this PDF document is generated from our online catalog. Please find the complete data in the user documentation. Our general terms of use for downloads are valid.



DIN rail housing, Housing half shell (right), tall design, width: 16.3 mm, height: 99 mm, depth: 112.85 mm, color: blue (5015)

Your advantages

- Easy installation
- Variety of connection technology

Commercial data

Item number	2279350
Packing unit	1 pc
Minimum order quantity	250 pc
Sales key	AC08
Product key	ACHABZ
GTIN	4046356306416
Weight per piece (including packing)	27.43 g
Weight per piece (excluding packing)	23.15 g
Customs tariff number	85389099
Country of origin	DE

ME MAX 22,5 GEH-R G 3-3 BU - Housing half shell

2279350

<https://www.phoenixcontact.com/us/products/2279350>

Technical data


Notes

General	Refer to the data sheet for the range in the download area.
General	Material of contact pads for bus connector, galvanic gold (hard gold)

Product properties

Product type	Housing half shells
Product family	ME MAX...3-3
Number of rows	3
Type	Housing half shell (right), tall design
Housing type	DIN rail housing
Housing series	ME-MAX

Dimensions

Dimensional drawing	
Width	16.3 mm
Height	99 mm
Depth	112.85 mm
Depth from top edge of DIN rail	107 mm

PCB design

PCB thickness	1.4 mm ... 1.8 mm
---------------	-------------------

Material specifications

Color	blue (5015)
Flammability rating according to UL 94	V0
CTI according to IEC 60112	600
Surface characteristics	untreated
Housing material	Polyamide

Environmental and real-life conditions

Ambient conditions

Max. IP code to attain	IP20
Ambient temperature (operation)	-40 °C ... 105 °C (depending on power dissipation)
Ambient temperature (storage/transport)	-40 °C ... 55 °C

ME MAX 22,5 GEH-R G 3-3 BU - Housing half shell



2279350

<https://www.phoenixcontact.com/us/products/2279350>

Ambient temperature (assembly)	-5 °C ... 100 °C
Relative humidity (storage/transport)	80 %

PCB data

Type of PCB mount	Latching
Thickness of the PCB	1.4 mm ... 1.8 mm

Mounting

Mounting type	DIN rail mounting
Mounting position	Vertical (horizontal DIN rail)

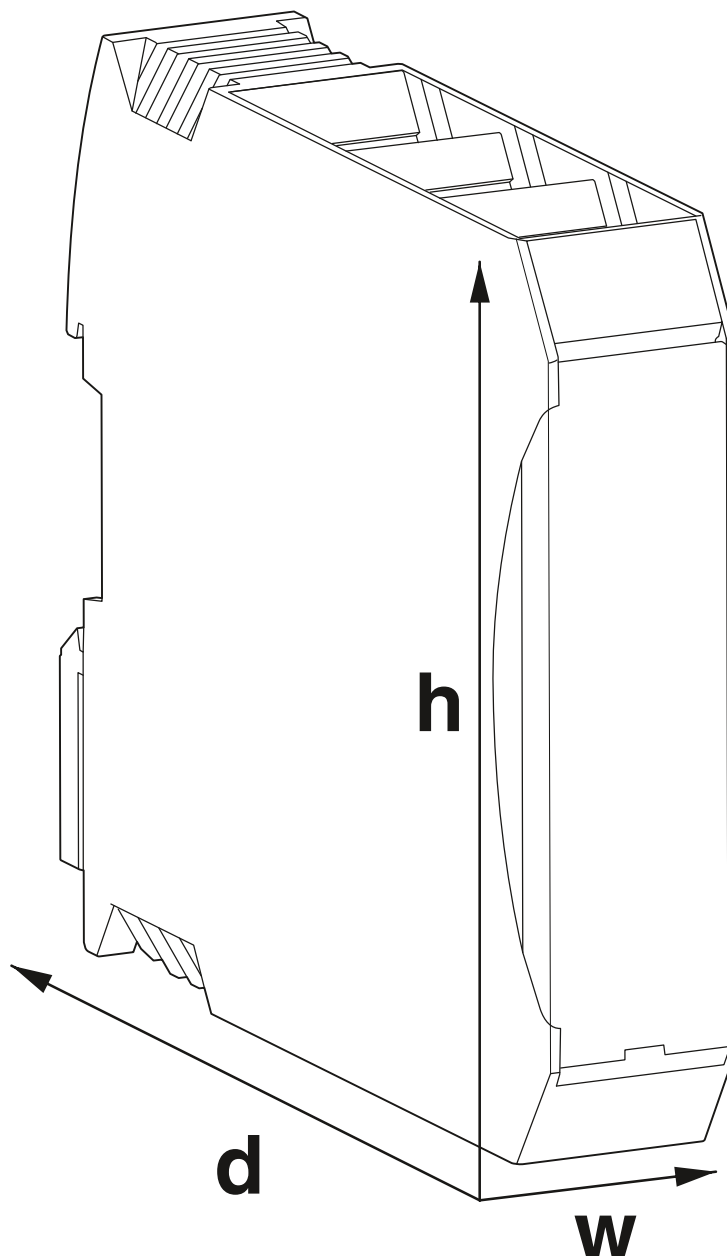
ME MAX 22,5 GEH-R G 3-3 BU - Housing half shell

2279350

<https://www.phoenixcontact.com/us/products/2279350>

Drawings

Dimensional drawing



Schematic figure for illustrating the item dimensions. The figure is not of the desired product. For further details, refer to the product drawings in the "Downloads" tab.

ME MAX 22,5 GEH-R G 3-3 BU - Housing half shell



2279350

<https://www.phoenixcontact.com/us/products/2279350>

Approvals

To download certificates, visit the product detail page: <https://www.phoenixcontact.com/us/products/2279350>



UL Recognized

Approval ID: FILE E 240868

ME MAX 22,5 GEH-R G 3-3 BU - Housing half shell



2279350

<https://www.phoenixcontact.com/us/products/2279350>

Classifications

ECLASS

ECLASS-11.0	27182702
ECLASS-13.0	27190602

ETIM

ETIM 8.0	EC001031
----------	----------

UNSPSC

UNSPSC 21.0	31261500
-------------	----------

ME MAX 22,5 GEH-R G 3-3 BU - Housing half shell



2279350

<https://www.phoenixcontact.com/us/products/2279350>

Environmental product compliance

China RoHS	Environmentally friendly use period: unlimited = EFUP-e
	No hazardous substances above threshold values

Phoenix Contact 2023 © - all rights reserved
<https://www.phoenixcontact.com>

Phoenix Contact USA
586 Fulling Mill Road
Middletown, PA 17057, United States
(+717) 944-1300
info@phoenixcon.com