

SPECIFICATIONS

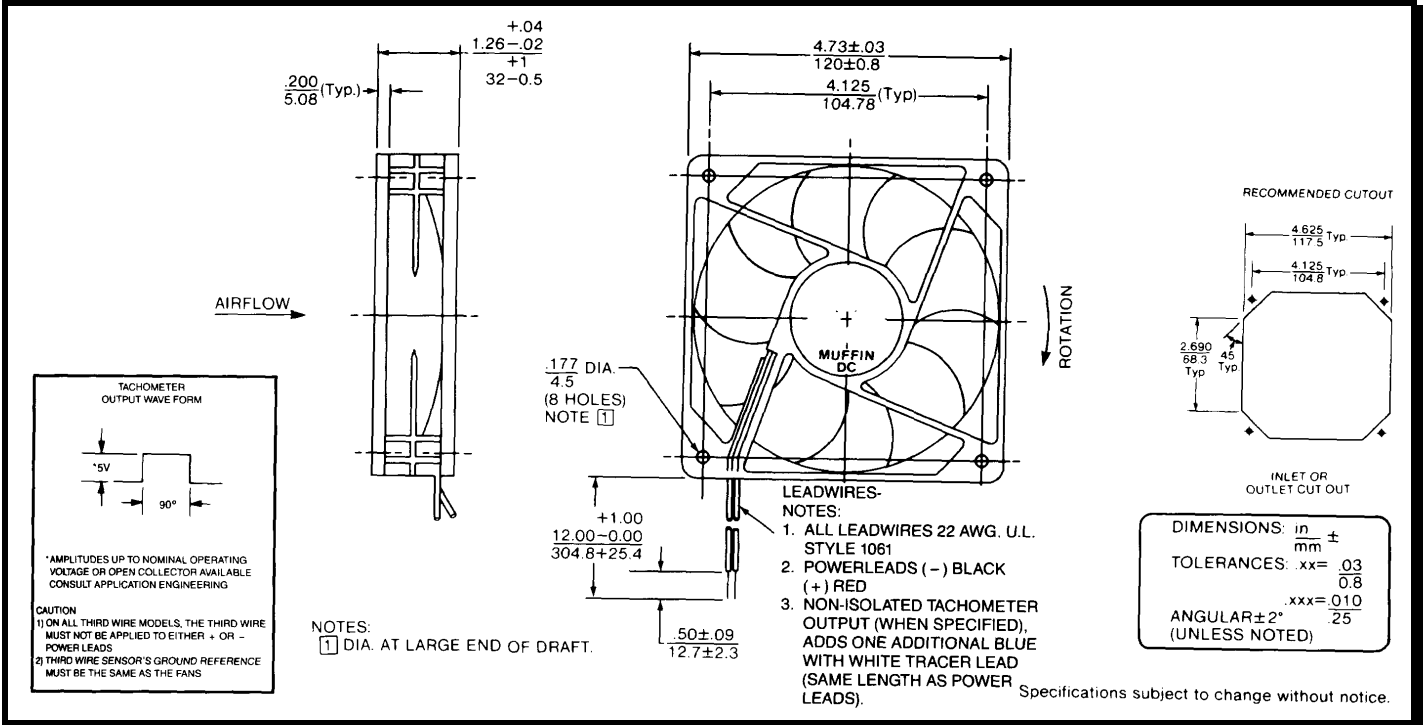
(RoHS Compliant)



Model Number: MC24B7
Part Number: 19030599A

Drawing Number: 26020940A00
Jan.01.2013

Mechanical Drawing:



Motor:

Nominal Voltage	= 24 vdc
Operating Voltage Range	= 12 - 28 vdc
Nominal Running Current	= 0.230 amps
Locked Rotor Current	= 0.830 amps
Running Power	= 5.5 watts
Average Speed	= 3700
Bearings	= Ball
Air Flow	= 102 cfm
Acoustic	= 47.8 dBA

Construction:

Venturi: Plastic, Black, UL 94V-0
 Propeller: Plastic, Black, UL 94V-0

Life Expectancy:

This fan is designed for continuous duty life of 75,000 hours at 40°C.

Agency Approvals:

UL, CE

Additional Features:

Brushless DC Motor
 Polarity Protected.
 Locked Rotor Protection
 Automatic Restart
 Operating Temperature: -10°C to 70°C
 Storage Temperature: -40°C to 85°C

Tachometer:

Output: 5 V TTL
 I_c : 5 mA Typical
 Pulses per Revolution: 2
 Isolated: No

Termination:

12" Lead wires, 22 AWG, UL 1061
 Red = Power (+)
 Black = Ground (-)
 Blue/White = Tachometer (Output)