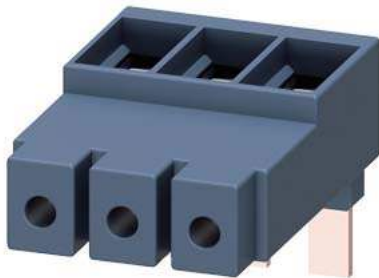


3-phase supply terminal Size S2 for 3-phase busbar connection from top



General technical data		
product brand name		SIRIUS
product designation		Three-phase feeder terminal
design of the product		from above, size S2
size of the circuit-breaker		S2
protection class IP on the front acc. to IEC 60529		IP20
touch protection on the front acc. to IEC 60529		finger-safe, for vertical contact from the front
insulation voltage with degree of pollution 3 at AC rated value	V	690
ambient temperature		
• during storage	°C	-50 ... +80
• during operation	°C	-20 ... +60
ampacity maximum	A	105
Installation/ mounting/ dimensions		
width	mm	54.5
height	mm	50.8
depth	mm	76.5
Connections/ Terminals		
type of electrical connection for main current circuit		screw-type terminals
type of connectable conductor cross-sections		
• for main contacts		
— solid		2x (2.5 ... 50 mm ²), 1x (2.5 ... 70 mm ²)
— stranded		2x (2.5 ... 50 mm ²), 1x (2.5 ... 70 mm ²)
— finely stranded		
— with core end processing		2x (2.5 ... 35 mm ²), 1x (2.5 ... 50 mm ²).
• at AWG cables for main contacts		2x (10 ... 1/0), 1x (10 ... 2/0)
Certificates/ approvals		
certificate of suitability		CE / UL / CSA / CCC
General Product Approval	Declaration of Conformity	Test Certificates



[Miscellaneous](#)

[Type Test Certificates/Test Report](#)

Test Certificates

Shipping Approval

[Special Test Certificate](#)

[Type Test Certificates/Test Report](#)

[Type Test Certificates/Test Report](#)



Shipping Approval

other

Railway



[Confirmation](#)



[Vibration and Shock](#)

Further information

Information- and Downloadcenter (Catalogs, Brochures,...)

<https://www.siemens.com/ic10>

Industry Mall (Online ordering system)

<https://mall.industry.siemens.com/mall/en/en/Catalog/product?mlfb=3RV2935-5A>

Cax online generator

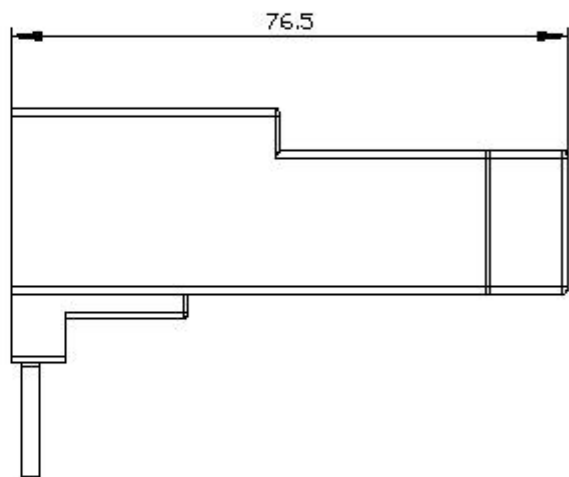
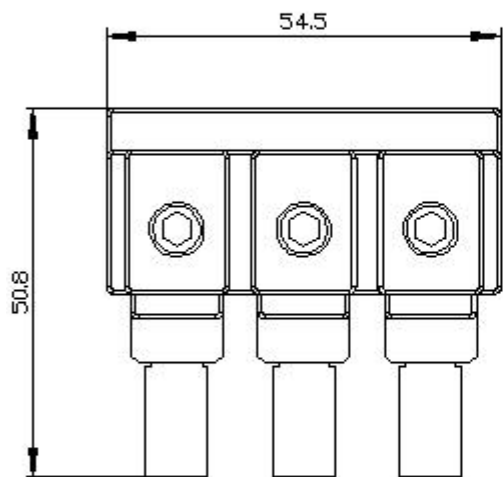
<http://support.automation.siemens.com/WW/CAXorder/default.aspx?lang=en&mlfb=3RV2935-5A>

Service&Support (Manuals, Certificates, Characteristics, FAQs,...)

<https://support.industry.siemens.com/cs/ww/en/ps/3RV2935-5A>

Image database (product images, 2D dimension drawings, 3D models, device circuit diagrams, EPLAN macros, ...)

http://www.automation.siemens.com/bilddb/cax_de.aspx?mlfb=3RV2935-5A&lang=en



last modified:

12/15/2020 