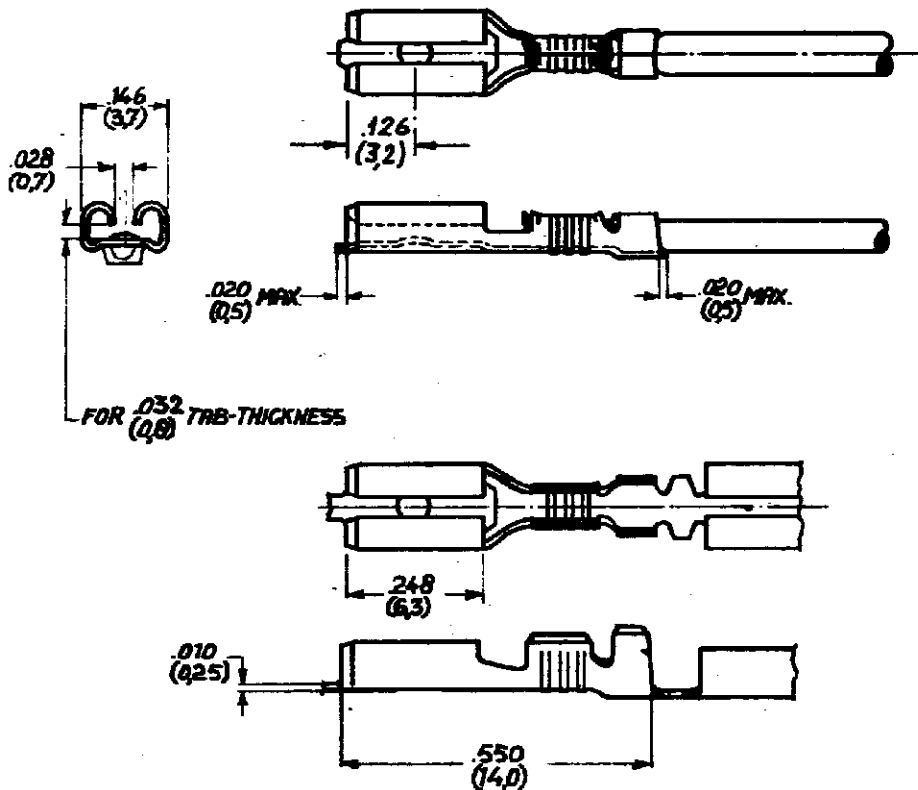


C-160780

DRAWING MADE IN AMERICAN PROJECTION

REVISIONS

LTR	DESCRIPTION	DATE	DWN	APVD
C1	REVISED PER ECO-09-022178	25SEP09	KK	AEG



- 1 FOR AMP-O-MATOR APPLICATION.
- 2 REELED WITH PAPERCOVER.
- 3 REELED WITH PAPER LAYER.
- 4 OBSOLETE PARTS: OBSOLETE CIS
STREAMLINING PER D.RENAUD/D.SINISI

DIMENSIONS IN (IN) DO NOT SCALE PRINT

160780-6	BRASS	→	△△△
160780-5	PHOSPHOR BR	TIN	△△△
160780-4	BRASS	TIN	△△△
160780-3	△ BRASS	→	△
160780-2	PHOSPHOR BR	TIN	△
160780-1	PHOSPHOR BR	→	△

CUSTOMER COPY FOR REFERENCE ONLY



AMP-HOLLAND N.V.
'HERTOEGHOSCH
HOLLAND

ORDER NO.	MATERIAL	PLATING
DATE 23.4.82	DATE	DATE
DATE 27.4.82	APP AEG	DATE 25/09/09

WIRE RANGE	PIECE RANGE	FIRST USED
SCALE 4 ≈ 1	LOC H	SIZE A
NO C-160780		
NAME 110 Ser. FASTON RECEPT		
REV C1		