

# APPROVAL SHEET

**Product Name:** Quartz Thermistor Crystal

**P/N.:** ECS-192-7-36TC-CZY-TR

**Customer's Name:** \_\_\_\_\_

**Specification Sheet#:** \_\_\_\_\_

**Date:** 12/30/2020

**Draw:** A. Anderson

**Check:** D. Kelly

**Customer Confirmation:** \_\_\_\_\_



## ECS Inc. International

TEL: 913-782-7787

FAX: 913-782-6991

http: [www.ecsxtal.com](http://www.ecsxtal.com)



# ECS Inc. International

## ■ REVISION HISTORY

NO.	DATE	EDITION	DRAW
1	12/30/2020	First Edition	A. Anderson
2			
3			
4			
5			
6			
7			
8			
9			
10			
11			
12			
13			
14			
15			
16			
17			
18			
19			
20			
21			
22			
23			
24			
25			
26			
27			
28			
29			
30			
31			
32			
33			
34			
35			
36			
37			



**1. SCOPE**

This specification relates to the Quartz Crystal to be supplied by ECS Inc. International.

**2. SPECIFICATION**

**2-1. ELECTRICAL SPECIFICATION**

Parameter	Value	Condition
Nominal Frequency	19.200000 MHz	
Mode of Vibration	AT-cut fundamental	
Operating Temperature Range	-30 ~ +85°C	
Storage Temperature Range	-40 ~ +105°C	
Drive level	10uW Typ., 100uW Max.	
Loading Capacitance	7 pF	
Test Set	250B PI-Network	
Initial Frequency Tolerance	±10 ppm Max.	TA= +25°C
Tolerance Over Temperature	±12 ppm Max.	TA= -30 ~ +85°C
Aging	±0.7ppm Max.	Per Year
Equivalent Series Resistance	80Ω Max.	
Quality Factor	75000 Min.	
Spurious Mode Resistance	1100Ω Min.	±1MHz
Motional Capacitance	1.8 fF ~ 3.1fF.	
Shunt Capacitance	0.3 pF ~ 1.3pF.	
Insulation resistance	500 MΩ Min	
Coefficient range (referenced to 32°C) Note1	C1: -0.40 ~ -0.10ppm/°C C2: -4.5*10 <sup>-4</sup> ~ 4.5*10 <sup>-4</sup> ppm/°C C3: 8.5*10 <sup>-5</sup> ~ 11.5*10 <sup>-5</sup> ppm/°C	
Thermistor Resistance(25°C)	100 Kohms ±1%	TA= +25°C
Thermistor B-constant (25~50°C)	4250 K ±1%	TA= +25 ~ +50°C



**Note1**

The FT curve of an AT-cut crystal can be modeled as a third -order polynomial.

C0, C1, C2, and C3 are coefficients that need to be defined are calculated in the order specified by Qualcomm's 80-V9690-23 Rev D

$$f(t) = c_3(\theta)(t - t_0)^3 + c_2(\theta)(t - t_0)^2 + c_1(\theta)(t - t_0) + c_0$$

C0, C1, C2, and C3 are coefficients that need to be defined.

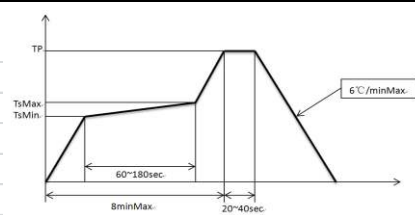
**C1: First-order Curve Fitting Parameter**

**C2: Second-order Curve Fitting Parameter**

**C3: Third-order Curve Fitting Parameter/T0=+32°C**

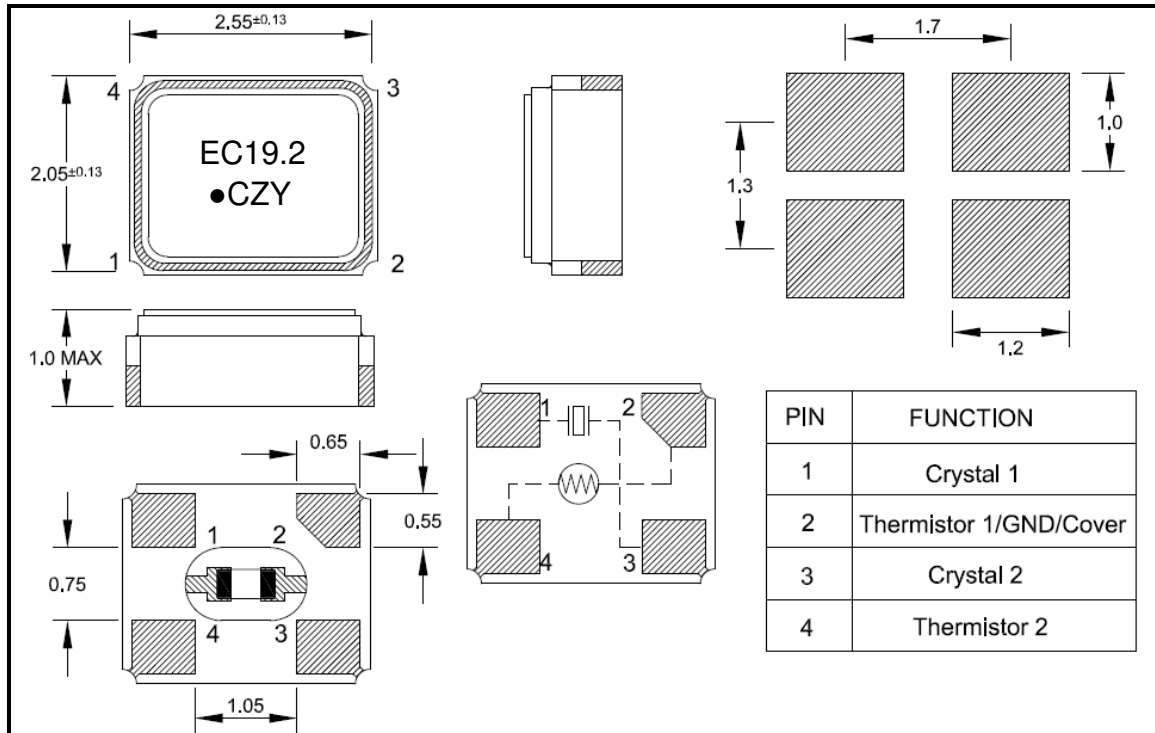


2-2. RELIABILITY TEST

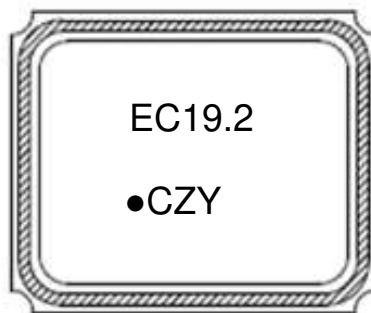
NO	ITEM	CONDITIONS	BASIS OF VERDICT
1	HIGH TEMPERATURE STORAGE	Temperature: 85°C Times: 1000 hours The test was conducted 24 ±2 hours at the end of the test (no charge)	ΔFL ≤ ±10 ppm ΔRS ≤ 5 Ω or ±20% (Whichever is Larger)
	CONSTANT HUMIDITY	Temperature: 85°C ±2°C; Humidity: 85%; Time: 1000 hours The test was conducted 24 ±2 hours at the end of the test	ΔFL ≤ ±10 ppm ΔRS ≤ 5 Ω or ±20% (Whichever is Larger)
3	LOW TEMPERATURE STORAGE	Temperature: -40°C Time: 1000 hours The test was conducted 24 ±2 hours at the end of the test	ΔFL ≤ ±10 ppm ΔRS ≤ 5 Ω or ±20% (Whichever is Larger)
	TEMPERATURE CYCLING	-55°C ±2°C (5 min) $\leftrightarrow$ 125°C ±2°C (5 min); For 1000 cycles Maximum conversion time: 5 min High/Low temperature holding time: 30 min	ΔFL ≤ ±10 ppm ΔRS ≤ 5 Ω or ±20% (Whichever is Larger)
5	DROP	Height: 1m; 3 times	ΔFL ≤ ±10 ppm ΔRS ≤ 5 Ω or ±20% (Whichever is Larger)
	MECHANICAL SHOCK	Peak: 100g's Duration: 6ms Waveform: Half-sine Velocity Change: 12.3 ft / sec Direction: +X, -X, +Y, -Y, +Z, -Z 3 times/direction Conduct electrical performance tests	ΔFL ≤ ±10 ppm ΔRS ≤ 5 Ω or ±20% (Whichever is Larger)
7	VIBRATION	Frequency: 10~2000Hz; Acceleration: 5g/s Direction: X, Y, Z Duration: 20min/direction. Times: 12次	ΔFL ≤ ±10 ppm ΔRS ≤ 5 Ω or ±20% (Whichever is Larger)
	WELDING HEAT RESISTANT	 <p>TP: 260°C Max TsMax: 200°C TsMin: 150°C CYCLE TIME: 2次</p>	ΔFL ≤ ±10 ppm ΔRS ≤ 5 Ω or ±20% (Whichever is Larger)
9	SOLDER	Pretreatment before test: 155°C high-temperature store 4 hours Temperature: 260°C ±5°C, immersion	Solder Coverage ≥ 95%
	TERMINAL STRENGTH	1.8kg, of the tangential thrust (60 s) 1.8kg of the perpendicular tension (60 s)	No Rupture Observed

### 3. Appearance

#### 3.1 Outline Dimensions and Recommended Land Pattern



#### 3.2 Marking Information



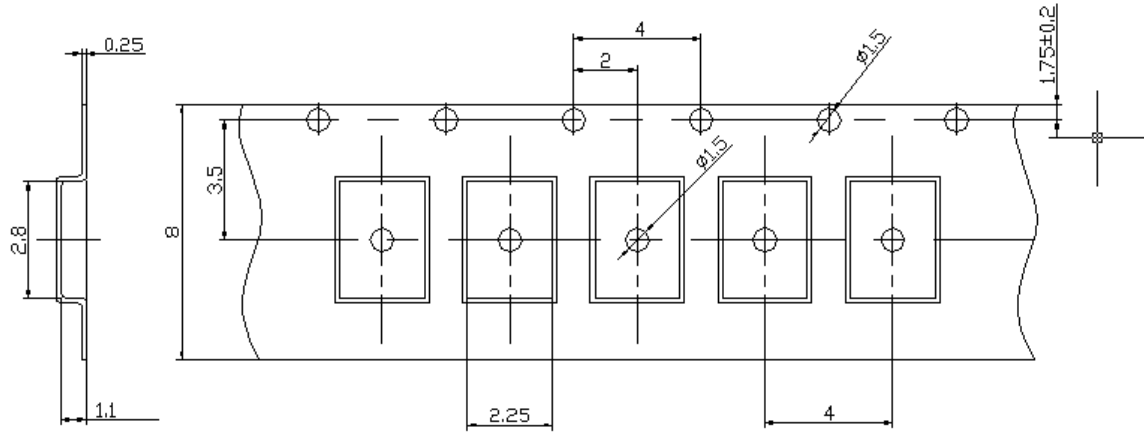
ITEM	Marking	REMARK
①	EC	ECS Inc. International
②	19.2	19.200 MHz
③	CZY	Spec (±10/12 ppm -30 ~ +85°C)
④	●	1 # PIN

## 4 TAPE AND REEL PACKING

### 4-1. TAPING SPECIFICATION

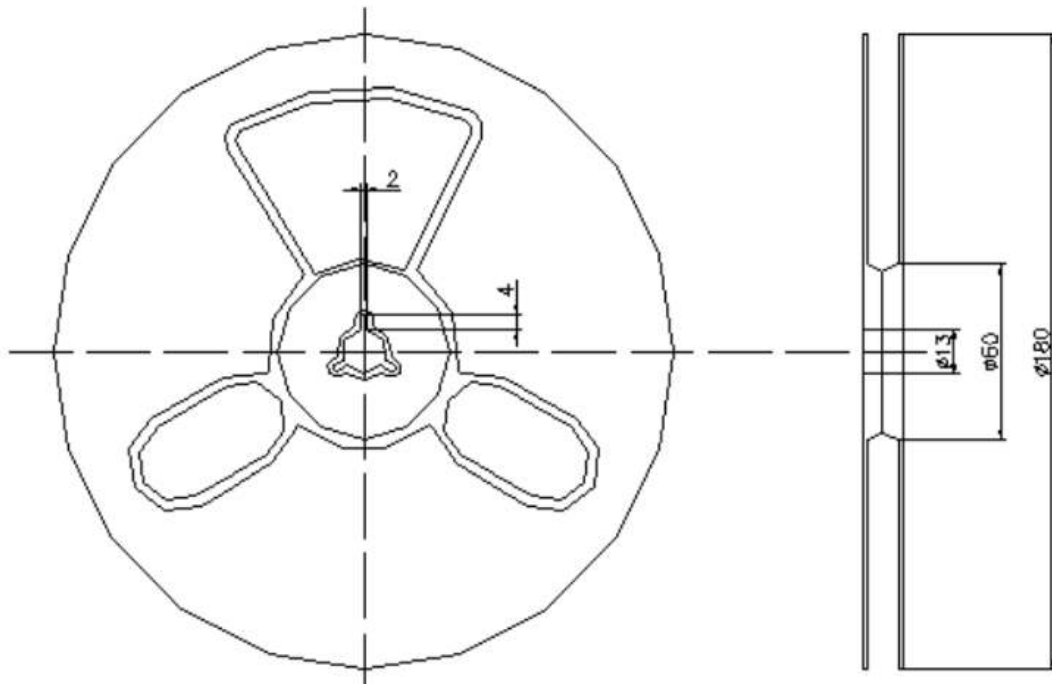
#### (1) Tape Dimensions

Material of Carrier Tape: Black conductive PS

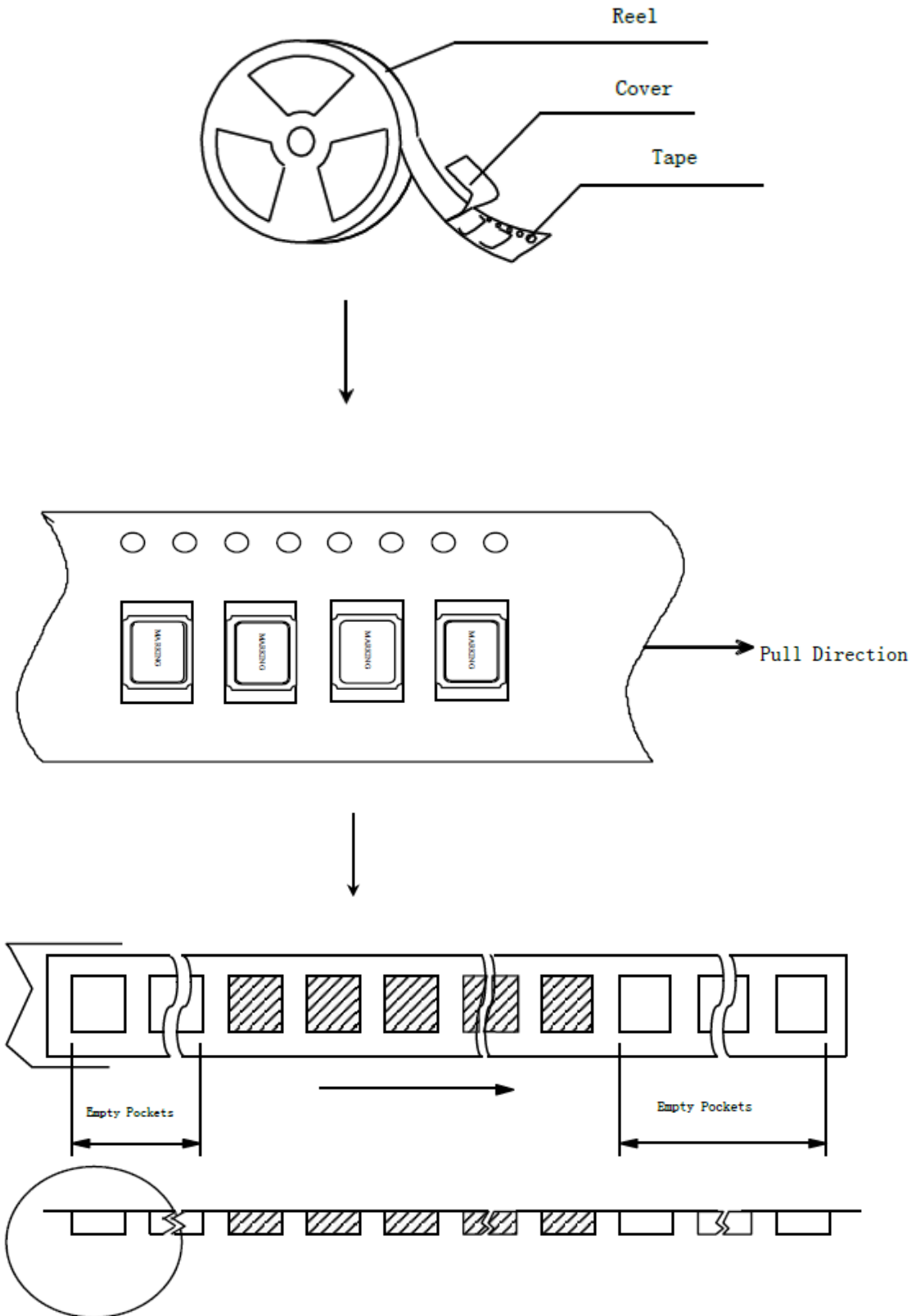


#### (2) Reel Dimensions

Material of the Reel: PS



(3) Taping Method







**3-2. Warehouse Condition**

(1) **Temperature: -10 ~ +40°C**

(2) **Humidity: 45% ~ 75%**