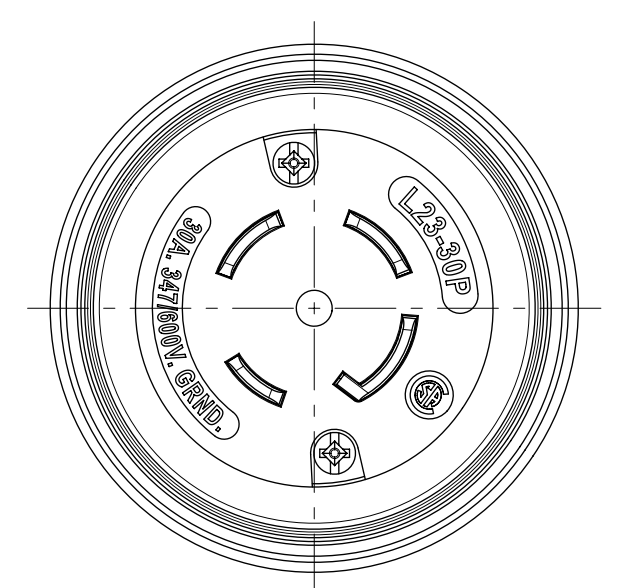
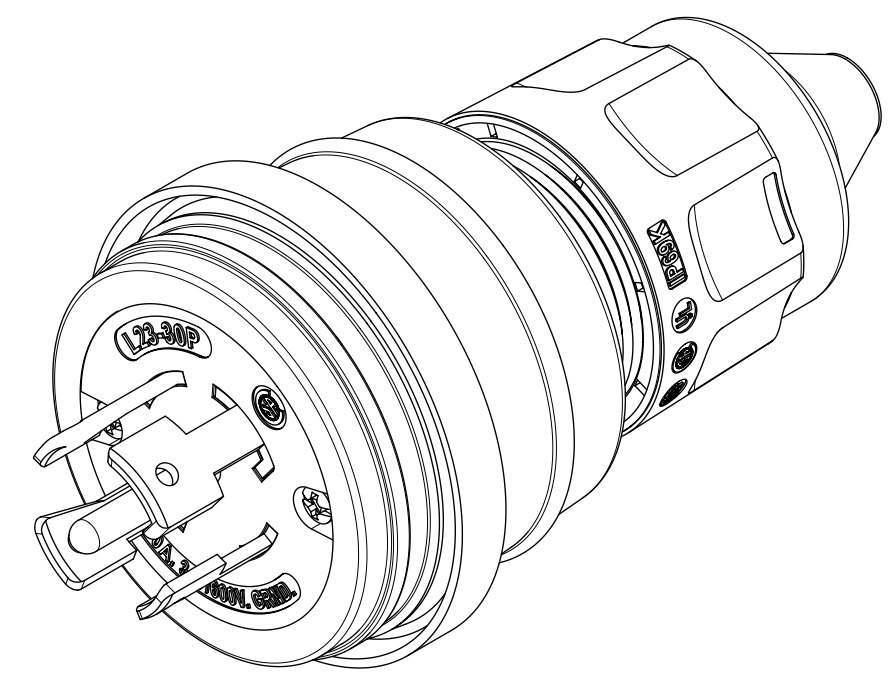
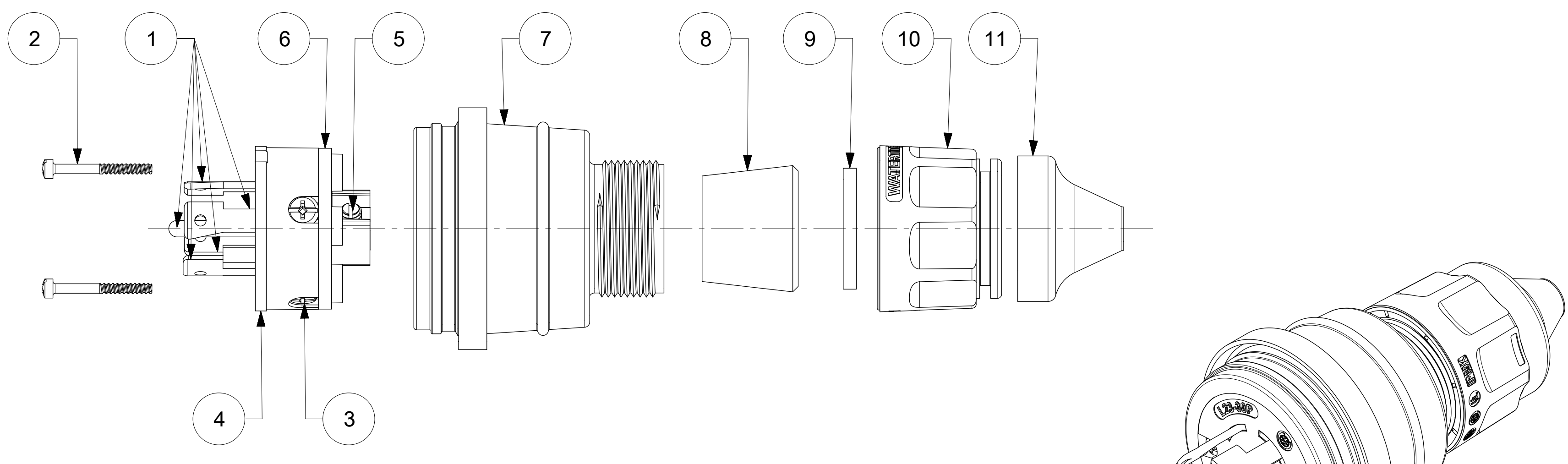
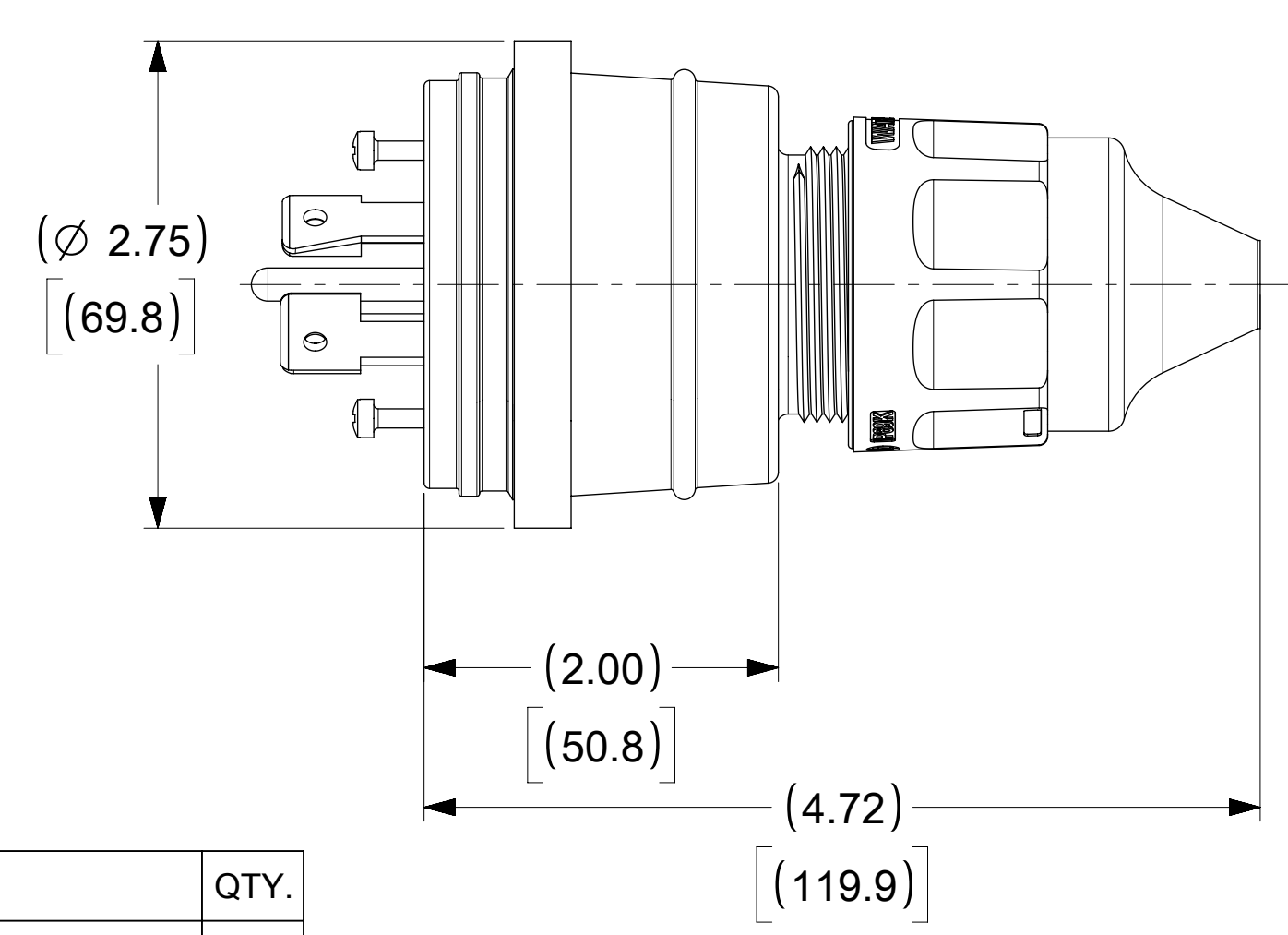


ORDER NO.	WOODHEAD NO.	COLOR
130147-0088	28W83	YELLOW



FACE VIEW



NOTE:
1. "ACCEPT CABLE RANGE FROM .562" TO 1.00"

ITEM NO.	DESCRIPTIONS	MATERIAL	QTY.
1	BLADE	BRASS, NICKEL PLATED	5
2	RETAINING SCREWS	STAINLESS STEEL	2
3	CLAMP AND TERMINAL SCREW ASSY	BRASS, ZINC PLATED	4
4	INSERT	NYLON	1
5	SET SCREWS	STAINLESS STEEL	1
6	TERMINAL COVER	POLYCARBONATE	1
7	HOUSING	SILICONE WITH NYLON THREAD	1
8	GROMMET	RUBBER	2
9	FRICTION RING	NYLON	1
10	COMPRESSION NUT	NYLON	1
11	CABLE GLOVE	SILICONE	1

SYMBOLS		THIS DRAWING CONTAINS INFORMATION THAT IS PROPRIETARY TO MOLEX ELECTRONIC TECHNOLOGIES, LLC AND SHOULD NOT BE USED WITHOUT WRITTEN PERMISSION	
▽ = 0	INCH[MM]	SCALE	CURRENT REV DESC:
▽ = 0	NTS		
▽ = 0	GENERAL TOLERANCES (UNLESS SPECIFIED)		
▽ = 0	4 PLACES	±	EC NO: 617301
▽ = 0	3 PLACES	±	DRWN: DSOPPIN 2019/05/14
▽ = 0	2 PLACES	±	CHK'D: DNGUYEN62 2019/05/16
▽ = 0	1 PLACE	±	APPR: HKNEELAND 2019/10/16
▽ = 0	0 PLACES	±	INITIAL REVISION:
▽ = 0	ANGULAR TOL	± °	DRWN: DSOPPIN 2019/05/14
▽ = 0	DRAFT WHERE APPLICABLE MUST REMAIN WITHIN DIMENSIONS		APPR: HKNEELAND 2019/10/16
▽ = 0	THIRD ANGLE PROJECTION	DRAWING	SERIES
		C-SIZE	130147
DOCUMENT NUMBER		DOC TYPE	DOC PART
1301470088		PSD	000
MATERIAL NUMBER		CUSTOMER	SHEET NUMBER
SEE TABLE		GENERAL MARKET	1 OF 1