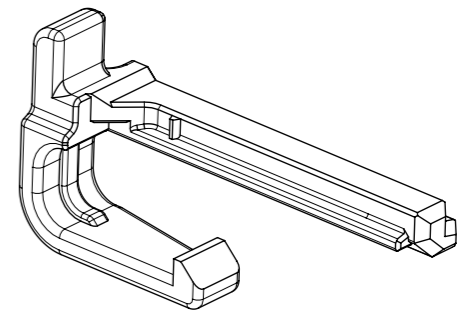
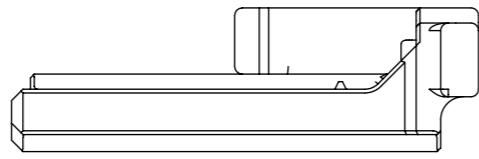
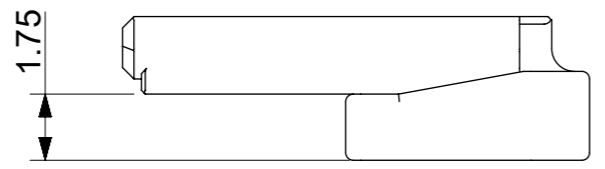
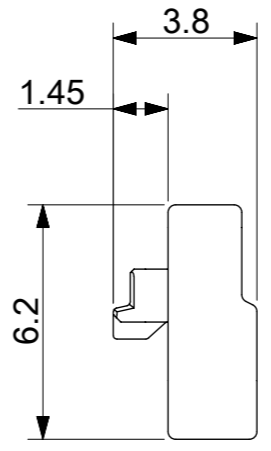
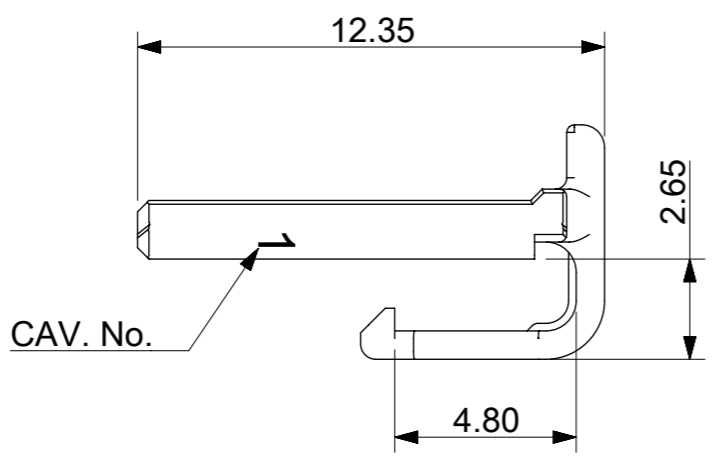
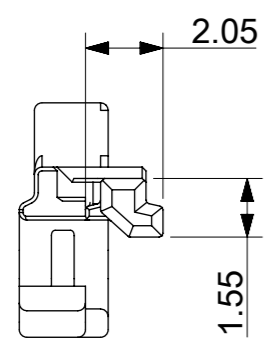


GENERAL TOLERANCE										USED ON
10 MAX	30 MAX	50 MAX	70 MAX	100 MAX	120 MAX	250 MAX	250 OVER	ANGLE	ECCENT	
±0.15	±0.20	±0.30	±0.40	±0.50	±0.75	±0.90	±1.4	±0.5°	0.1	



ISO VIEW



MATERIAL NUMBER

ORDER NO.	MATERIAL NO.	COLOR
560125-0500	5601250500	GRAY

- NOTES:
1. MATERIALS : POLYESTER (PBT)-GF17, UL94 V-0
  2. APPLICABLE HOUSING : 560123 SERIES
  3. GENERAL TOLERANCE : SEE TABLE
  4. EVL AND RoHS COMPLIANT
  5. PRODUCT SPECIFICATION : PS-560123-00\*
  6. PACKING SPECIFICATION : PK-560125-001

FUNCTIONAL SYMBOLS	THIS DRAWING CONTAINS INFORMATION THAT IS PROPRIETARY TO MOLEX ELECTRONIC TECHNOLOGIES, LLC AND SHOULD NOT BE USED WITHOUT WRITTEN PERMISSION		CURRENT REV DESC: DRAWING REMASTERED		
	$\nabla_A = 0$ $\nabla_E = 0$ $\nabla_P = 0$	DIMENSION UNITS: <b>mm</b> SCALE: <b>5:1</b>	GENERAL TOLERANCES (UNLESS SPECIFIED) ANGULAR TOL ± °		
DIVISIONAL SYMBOLS	4 PLACES ±	2020/07/17	2020/07/27		PRODUCT CUSTOMER DRAWING
	3 PLACES ±	2020/07/27	2020/07/27		
2 PLACES ±	INITIAL REVISION:	2016/11/25		DOCUMENT NUMBER	DOC TYPE
1 PLACE ±	DRWN: SWYOON	2016/11/29		5601250500	PSD
0 PLACES ±	APPR: JHJANG			009	A1
DRAFT WHERE APPLICABLE MUST REMAIN WITHIN DIMENSIONS	THIRD ANGLE PROJECTION	DRAWING	SERIES	MATERIAL NUMBER	CUSTOMER
		A3-SIZE	560125	5601250500	GENERAL MARKET
					SHEET NUMBER
					1 OF 1