

**Specifications**

**Material**

Insulator: PBT, UL 94V-0, Gray  
 Contact: Phosphor Bronze, Ø=0.46mm

**Plating**

See Ordering Grid

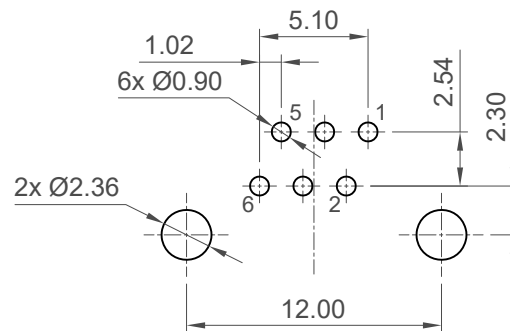
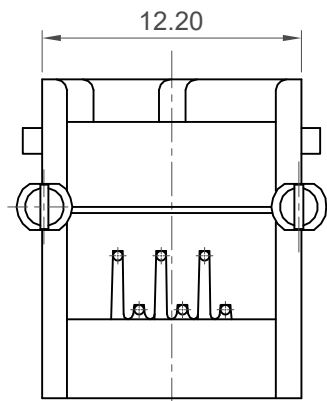
**Electrical**

Current Rating : 1.5 Amp  
 Current Voltage : 125V AC RMS  
 Contact Resistance : 35 mΩ max.  
 Insulation Resistance: 1000 MΩ min. @500V DC  
 Dielectric Withstand Voltage :  
 1000V AC/DC Peak Between Terminal to Terminal

**Mechanical & Environmental**

Storage Temperature : -10°C to +40°C,  
 Relative Humidity <80%  
 Operation Temperature : -40°C to +85°C  
 Operating Life : 750 Cycles Min.  
 Mating/Unmating Force: 22N Max.  
 Retention Strength: 57.83N Min.

Wave Soldering Temperature: 245°C ± 5°C, 5s



**Recommended PCB Layout**  
 Tolerance : ±0.05mm  
 Thickness: 1.60mm

**Ordering Grid**

MJ3245 = 66 = 0  Request Samples and Quotation  
 No. of Positions/  
 Positions Loaded  
 66 = 6/6  
 Contact Plating  
 0 = Gold Flash

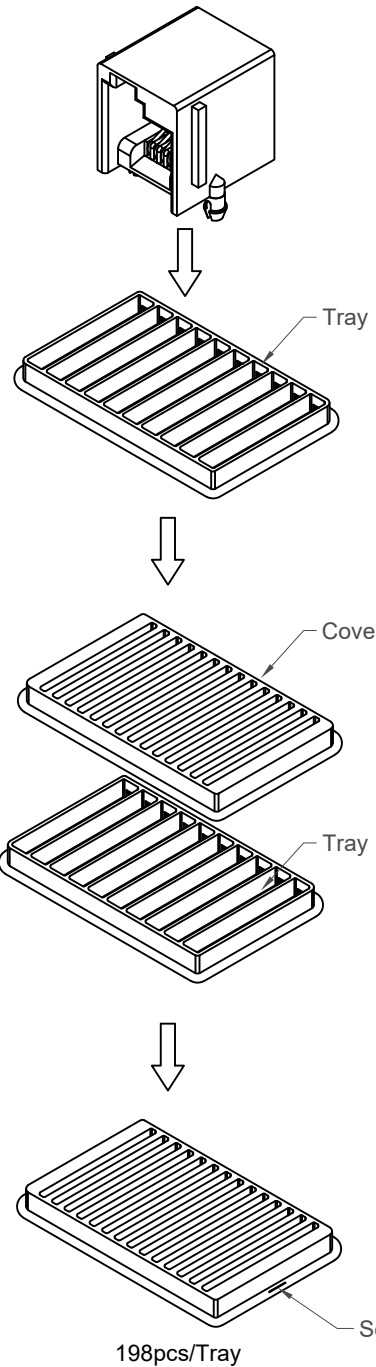
Part Number		Product Description	
MJ3245-66		Modular Jack Connector, 6 Position, Right Angle, Through Hole, Offset Latch	
Drawing Date		2nd April 2021	
By	CC	Tolerances (Except as Noted)	Units:
Detail	Drawing Release	Length X.XX ± 0.15 X.X ± 0.20	Metric (mm)
Revision	A2	Angle ± 0.5°	
Date	26/12/22		



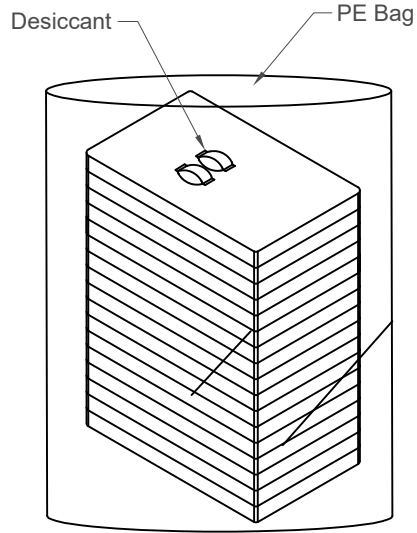
This drawing is confidential and copyright of Global Connector Technology, Ltd (GCT). This drawing must not be copied or disclosed without written consent. E & OE



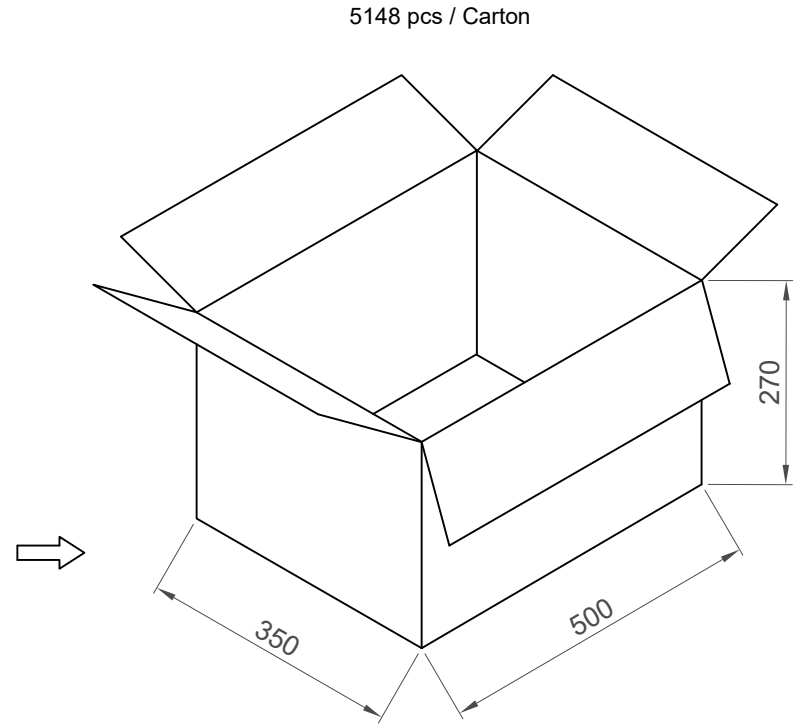
Not to Scale	Drawn By CC	Sheet No. 1/2
--------------	----------------	------------------



198pcs/Tray



26 Trays / Carton



Pcs/Tray	Trays/Carton	Total Quantity
198	26	5148

Part Number		Product Description	
MJ3245-66		Modular Jack Connector, 6 Position, Right Angle, Through Hole, Offset Latch	
Drawing Date		2nd April 2021	
By	CC	Tolerances (Except as Noted)	Units:
Detail	Drawing Release	Length	Metric (mm)
Revision	A2	X.XX ± 0.15	
Date	26/12/22	X.X ± 0.20	

This drawing is confidential and copyright of Global Connector Technology, Ltd (GCT). This drawing must not be copied or disclosed without written consent. E & OE



Not to Scale    Drawn By CC    Sheet No. 2/2