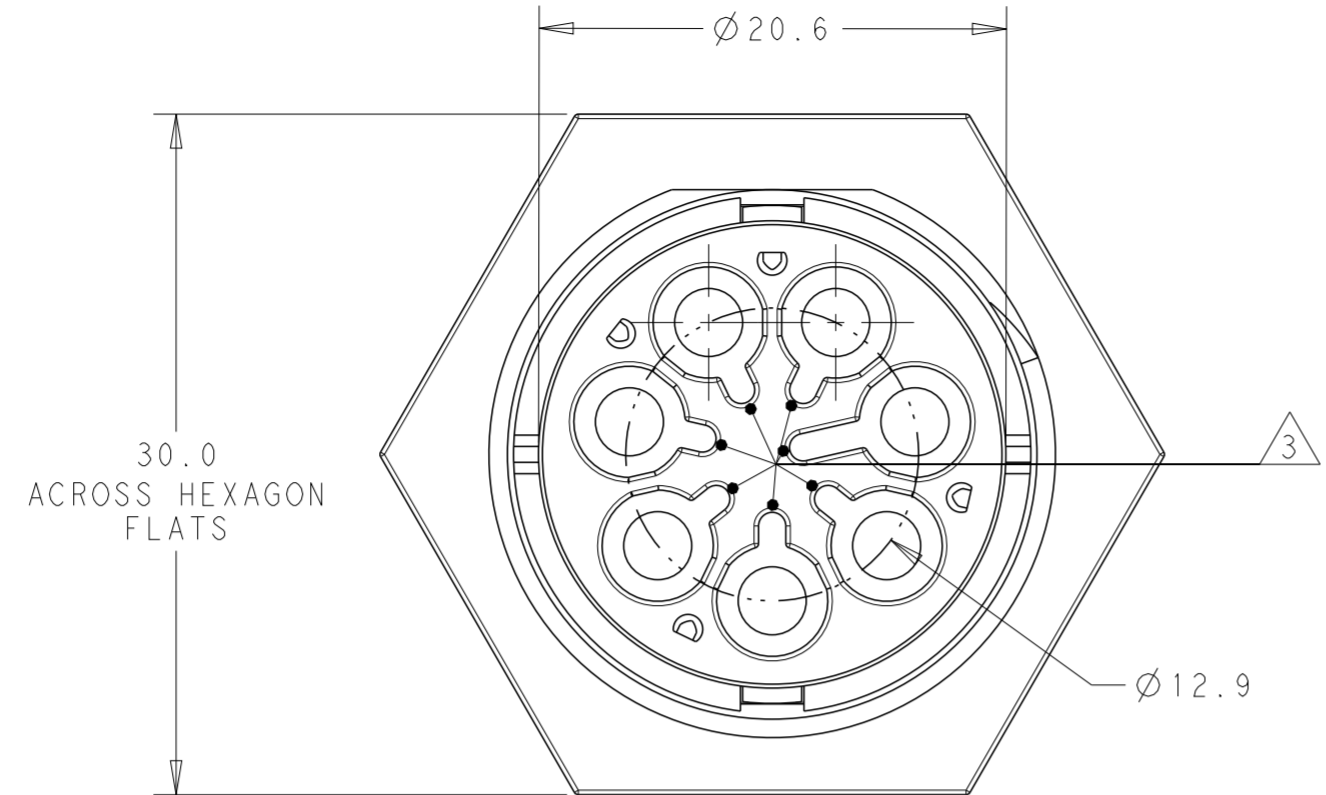
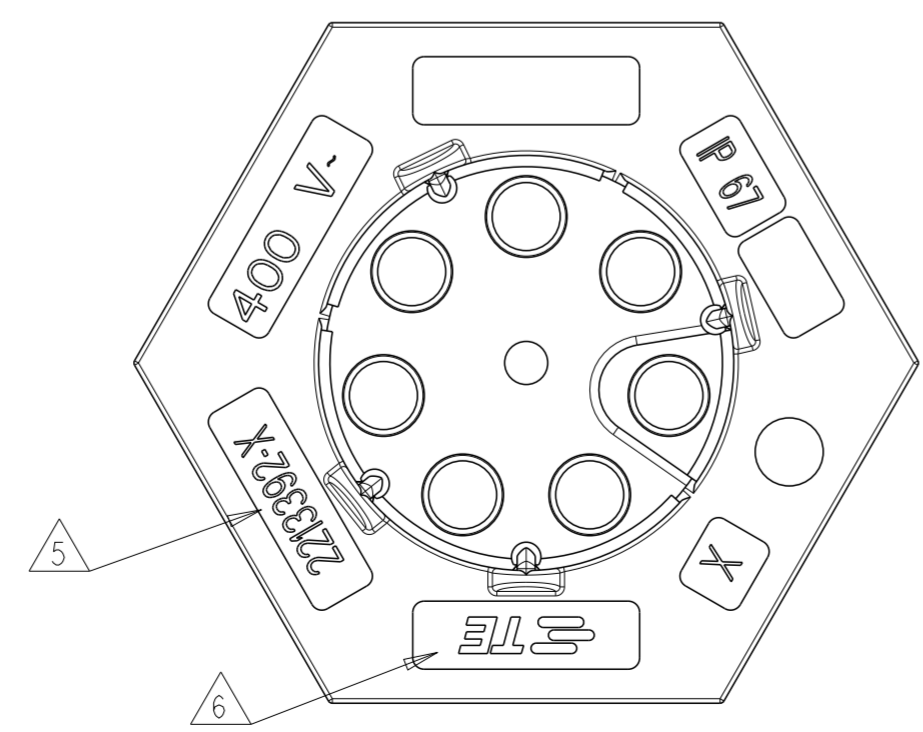
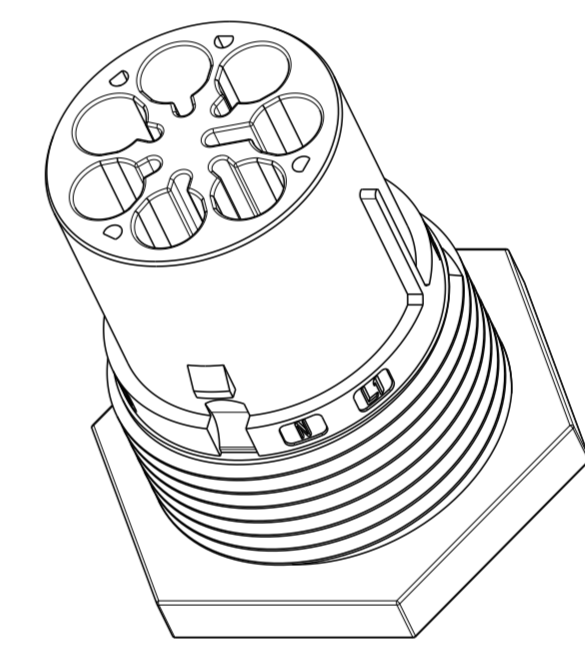
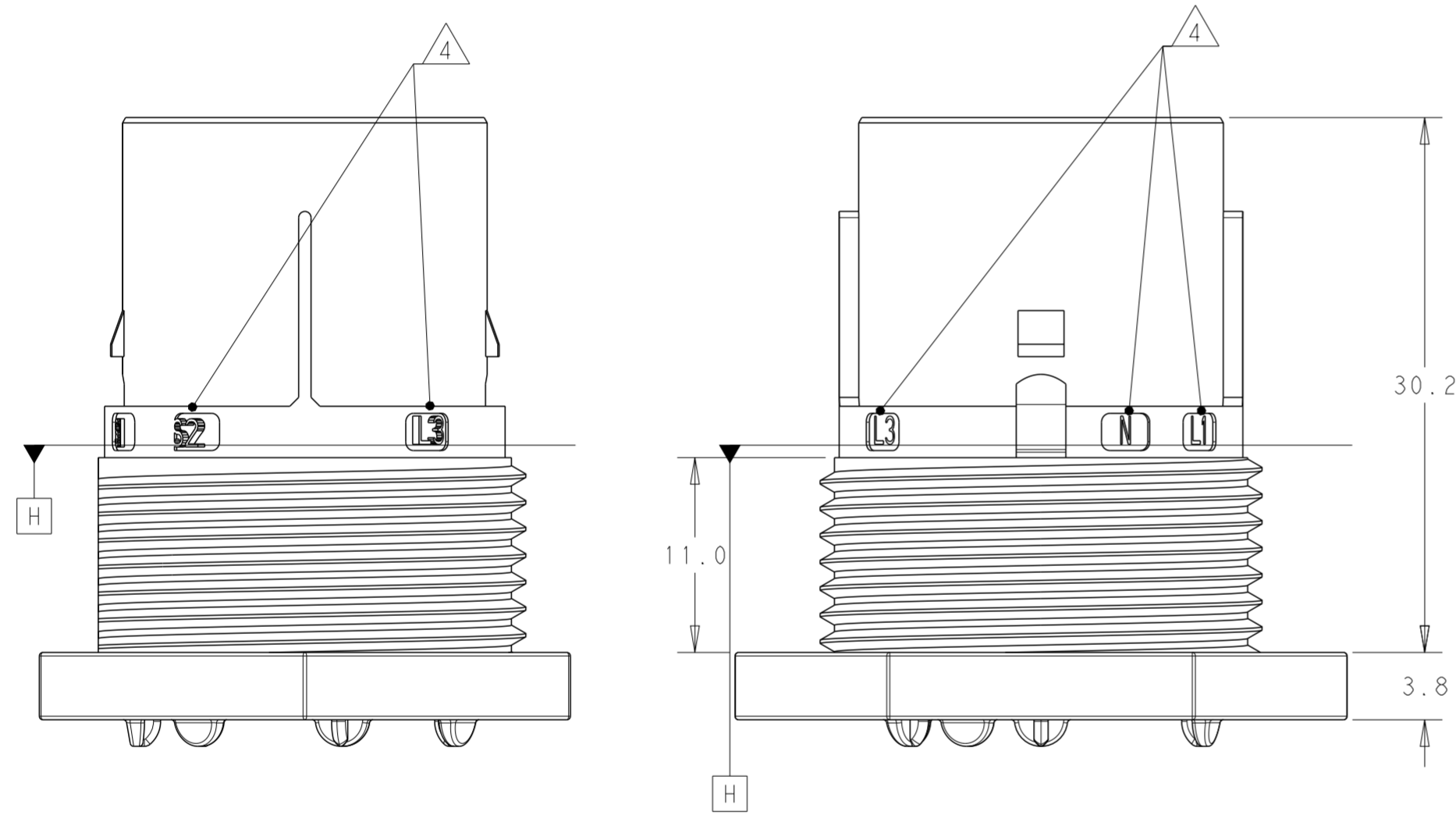


THIS DRAWING IS UNPUBLISHED. RELEASED FOR PUBLICATION 20
 © COPYRIGHT 20 BY - ALL RIGHTS RESERVED.

REVISIONS					
P	LTR	DESCRIPTION	DATE	DWN	APVD
A		REVISED AS PER ECR-15-005925	21APR2015	RS	JL
A1		ECR-18-006945	05JUL2018	SR	MZ



- NOTES:
- MATERIAL: GLASS FILLED PBT, COLOR: BLACK
 - MUST COMPLY WITH DIRECTIVE 2002/95/EC (ROHS)
 - ALL POLARIZATION KEYS SHOWN FOR REF ONLY.
 - CIRCUIT I.D.
 - TE PART NUMBER.
 - TE LOGO
 - THIS PRODUCT HAS NOT COMPLETED VALIDATION TESTING



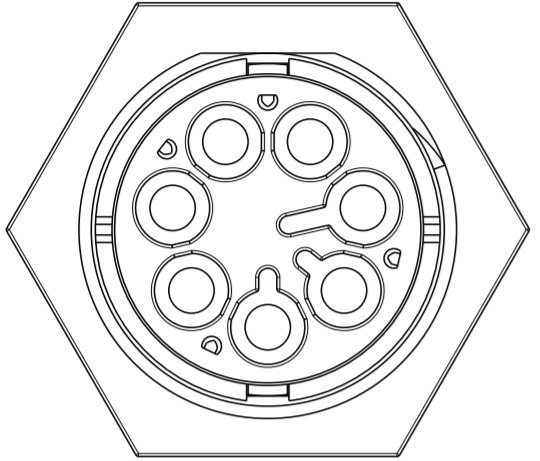
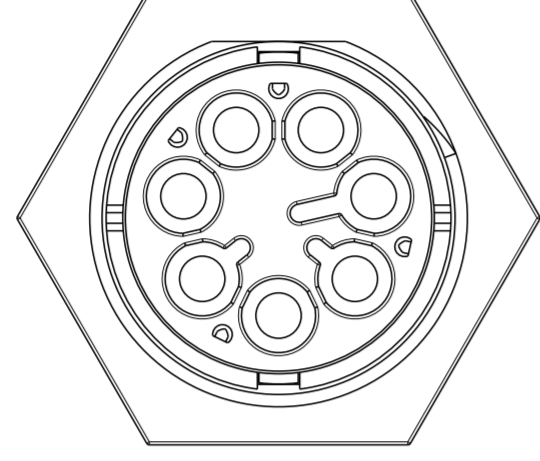
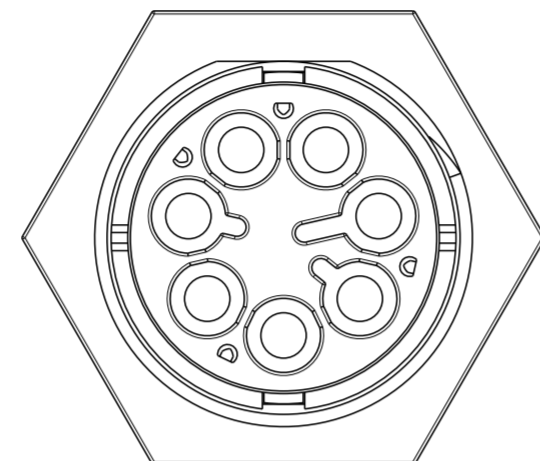
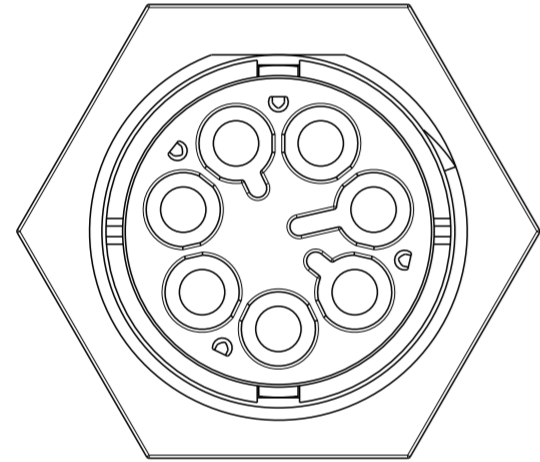
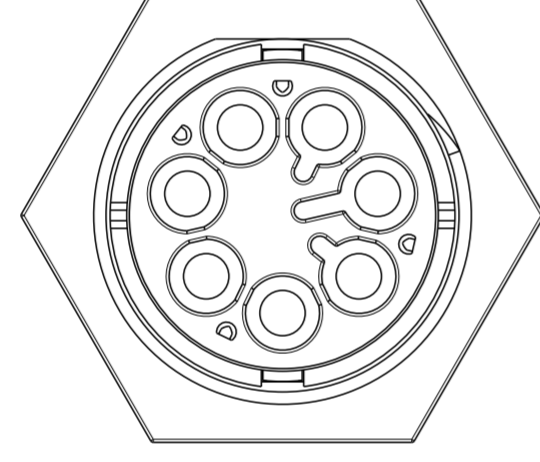
OBSOLETE	E	PANEL MT PIN. SEALED NECTOR M, 7 POLE	2213392-5	
	D	PANEL MT PIN. SEALED NECTOR M, 7 POLE	2213392-4	
	C	PANEL MT PIN. SEALED NECTOR M, 7 POLE	2213392-3	
	B	PANEL MT PIN. SEALED NECTOR M, 7 POLE	2213392-2	
	A	PANEL MT PIN. SEALED NECTOR M, 7 POLE	2213392-1	
	POLARIZATION TYPE		DESCRIPTION	PART NUMBER

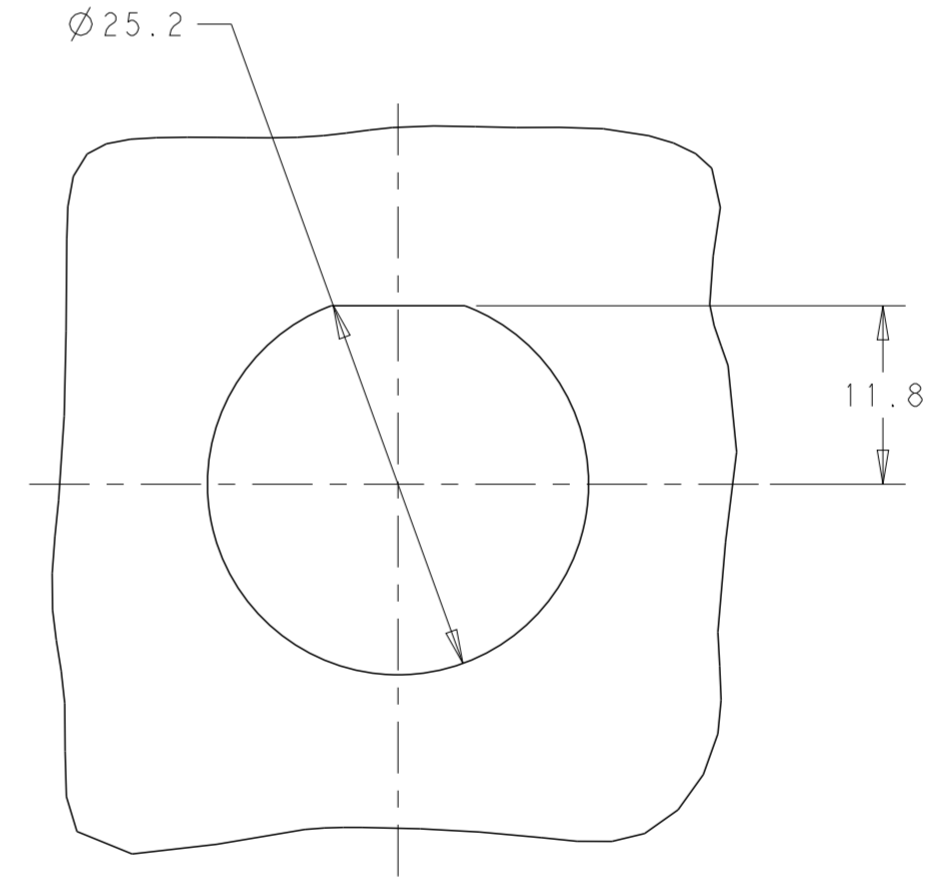
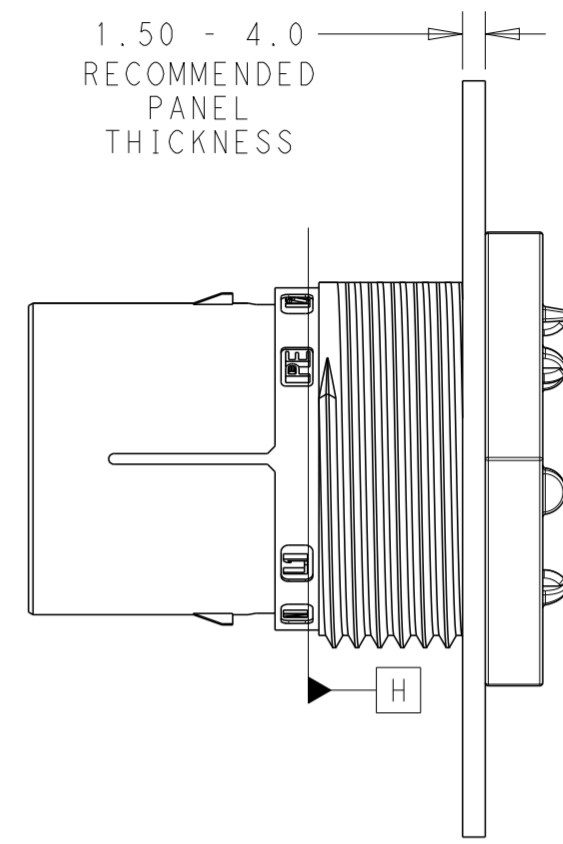
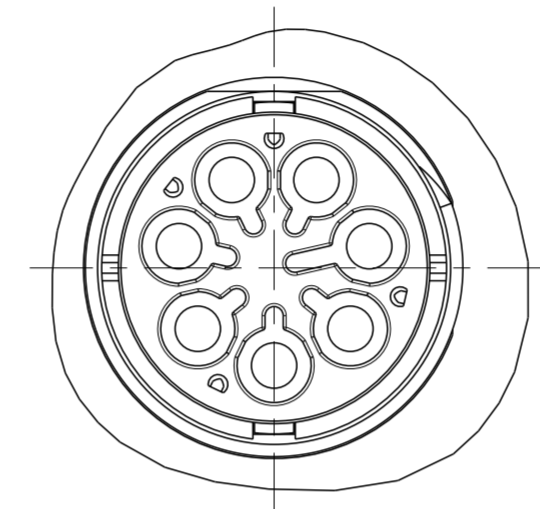
DIMENSIONS:		TOLERANCES UNLESS OTHERWISE SPECIFIED:		DWN		CHK		APVD		NAME	
mm		0 PLC	±	J. SHAFFER		M. LUKSIC		M. LUKSIC		M. LUKSIC	
		1 PLC	±0.2	21 JAN 2014		21 JAN 2014		21 JAN 2014		TE Connectivity	
		2 PLC	±0.13					108-133014		PANEL MOUNT, PIN; SEALED NECTOR M-LINE; 7 POLE	
		3 PLC	±					114-32111		-	
		4 PLC	±					-		-	
		ANGLES	±					-		-	
		FINISH	-					-		-	
MATERIAL		NOTE 1		Customer Drawing		SCALE 2:1		SHEET 1 OF 2		REV A1	

THIS DRAWING IS UNPUBLISHED. RELEASED FOR PUBLICATION 20
 © COPYRIGHT 20 BY - ALL RIGHTS RESERVED.

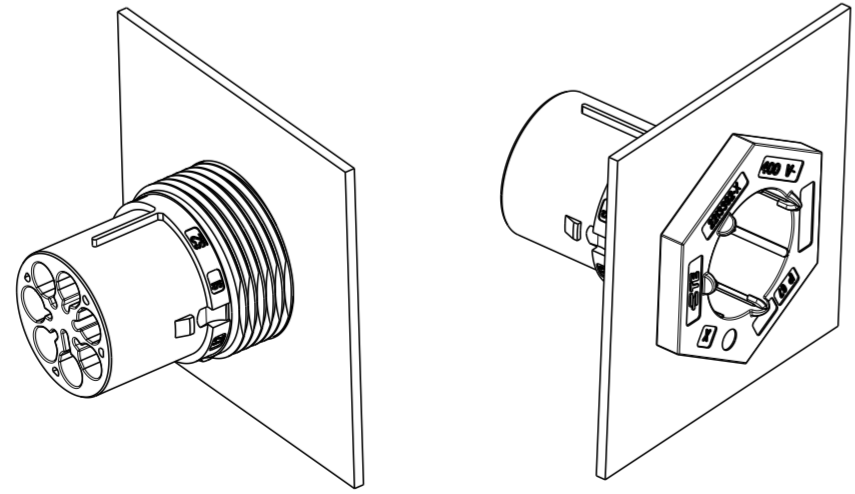
REVISIONS				
P	LTR	DESCRIPTION	DATE	APVD
-	-	SEE SHEET 1	-	-

POLARIZATION TYPES


POLARIZATION TYPE "A"	POLARIZATION TYPE "B"	POLARIZATION TYPE "C"
		
PN: 2213392-1	PN: 2213392-2	PN: 2213392-3
POLARIZATION TYPE "D"	POLARIZATION TYPE "E"	
		
PN: 2213392-4	PN: 2213392-5	



RECOMMENDED PANEL CUTOUT



3D VIEWS FOR REFERENCE ONLY

THIS DRAWING IS A CONTROLLED DOCUMENT.		DWN J. SHAFFER 21 JAN 2014	 TE Connectivity	
DIMENSIONS: mm		CHK M. LUKSIC 21 JAN 2014		
TOLERANCES UNLESS OTHERWISE SPECIFIED:		APVD M. LUKSIC 21 JAN 2014	NAME PANEL MOUNT, PIN; SEALED NECTOR M-LINE; 7 POLE	
0 PLC ±	1 PLC ±0.2	PRODUCT SPEC 108-133014	SIZE A2	CAGE CODE -
2 PLC ±0.13	3 PLC ±	APPLICATION SPEC 114-32111	DRAWING NO C-2213392	
4 PLC ±	ANGLES ±	WEIGHT -	RESTRICTED TO -	
FINISH -	FINISH -	Customer Drawing	SCALE 2:1	SHEET 2 OF 2
NOTE 1				REV A1